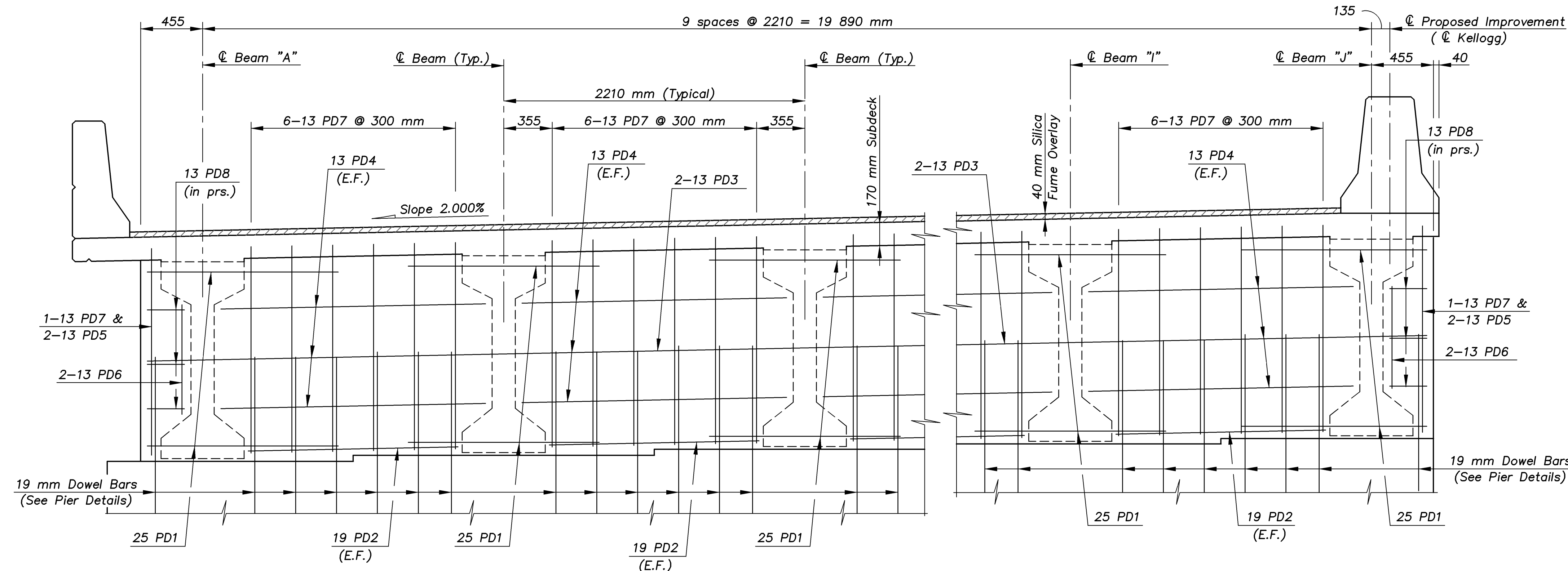
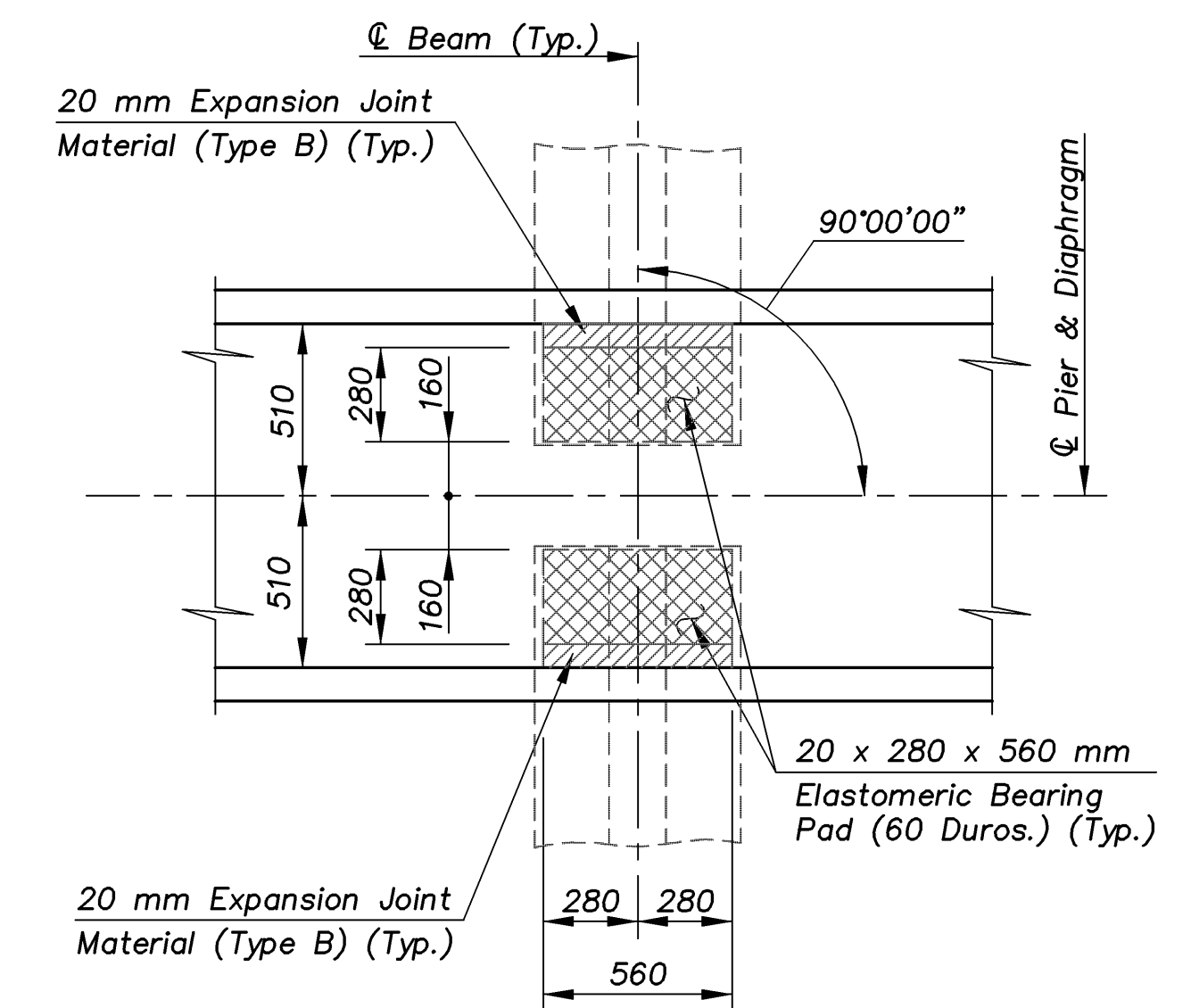


E.F. INDICATES EACH FACE.  
 N.F. INDICATES NEAR FACE.  
 F.F. INDICATES FAR FACE.

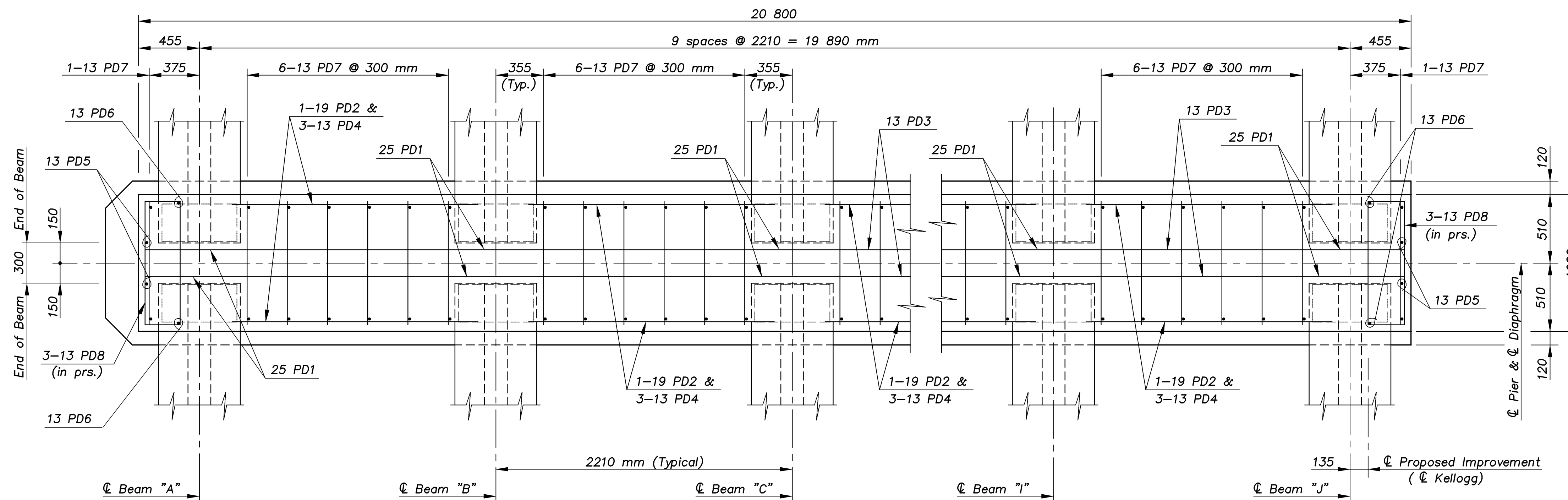
STATE	PROJECT NO.	YEAR	SHEET NO.	TOTAL SHEETS
KANSAS	54-87 K-8258-08	2005	110	223



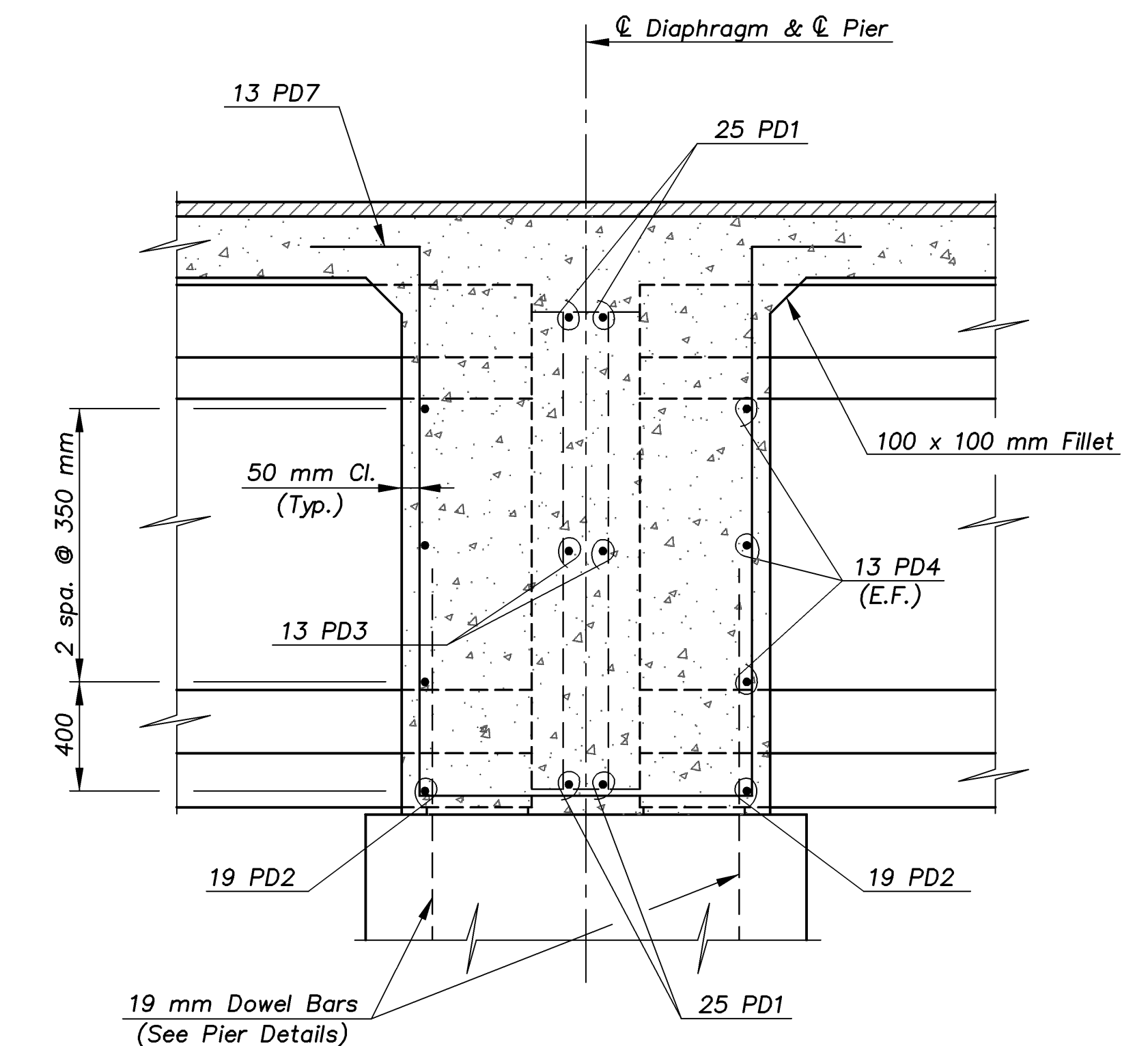
**PARTIAL ELEVATION SHOWING DIAPHRAGM AT PIER**  
 (Looking Ahead Station)



**TYPICAL BEARING PAD LAYOUT**



**PARTIAL PLAN VIEW SHOWING DIAPHRAGM AT PIER**



**TYPICAL SECTION THRU DIAPHRAGM**

EASTERN/DIAPHRAGMS 1:100

KANSAS DEPARTMENT OF TRANSPORTATION		BR. NO. 54-87-31.55(704) W.B.		STA. 4+575.138													
<b>PIER DIAPHRAGM DETAILS</b>																	
KELLOGG AVENUE OVER EASTERN																	
Proj. No. 54-87 K-8258-08		SEDGWICK COUNTY		<table border="1"> <tr> <td>DESIGNED</td> <td>R.S.C.</td> <td>SCALE</td> <td>Varies</td> </tr> <tr> <td>DETAILED</td> <td>T.R.G.</td> <td>DATE</td> <td></td> </tr> <tr> <td>QUANTITIES</td> <td>T.R.G.</td> <td>SHEET</td> <td>32 OF 47</td> </tr> </table>		DESIGNED	R.S.C.	SCALE	Varies	DETAILED	T.R.G.	DATE		QUANTITIES	T.R.G.	SHEET	32 OF 47
DESIGNED	R.S.C.	SCALE	Varies														
DETAILED	T.R.G.	DATE															
QUANTITIES	T.R.G.	SHEET	32 OF 47														



**Cook, Flatt & Strobel**  
 ENGINEERS, P. A.