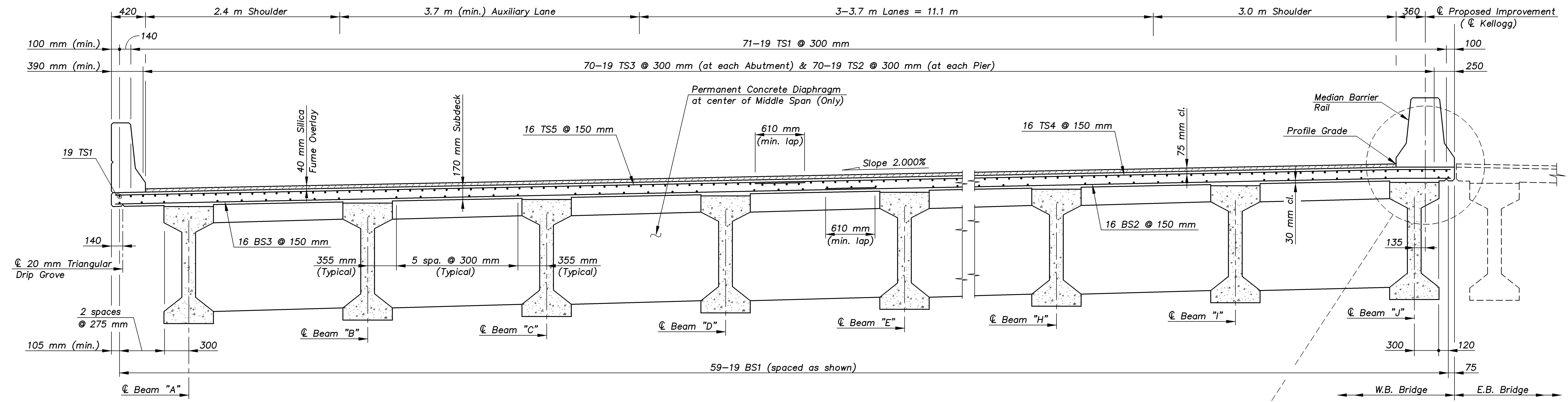
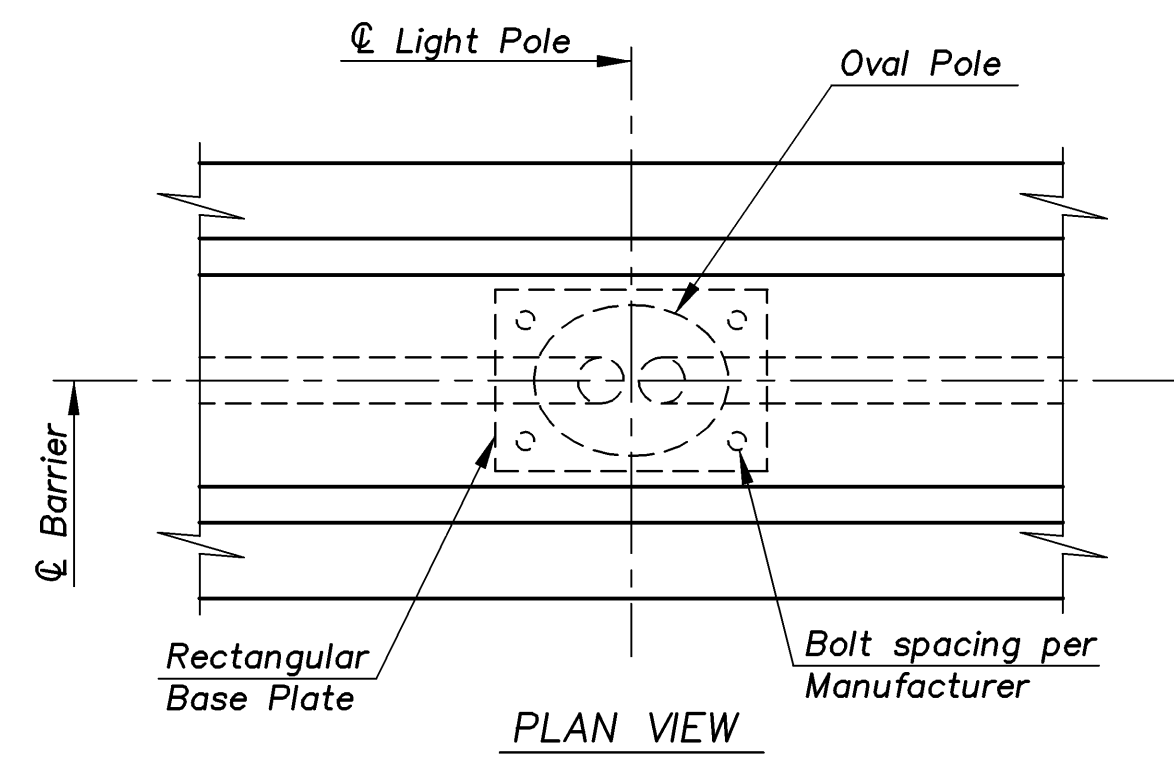


E.F. INDICATES EACH FACE.
 N.F. INDICATES NEAR FACE.
 F.F. INDICATES FAR FACE.

STATE	PROJECT NO.	YEAR	SHEET NO.	TOTAL SHEETS
KANSAS	54-87 K-8258-08	2005	112	223

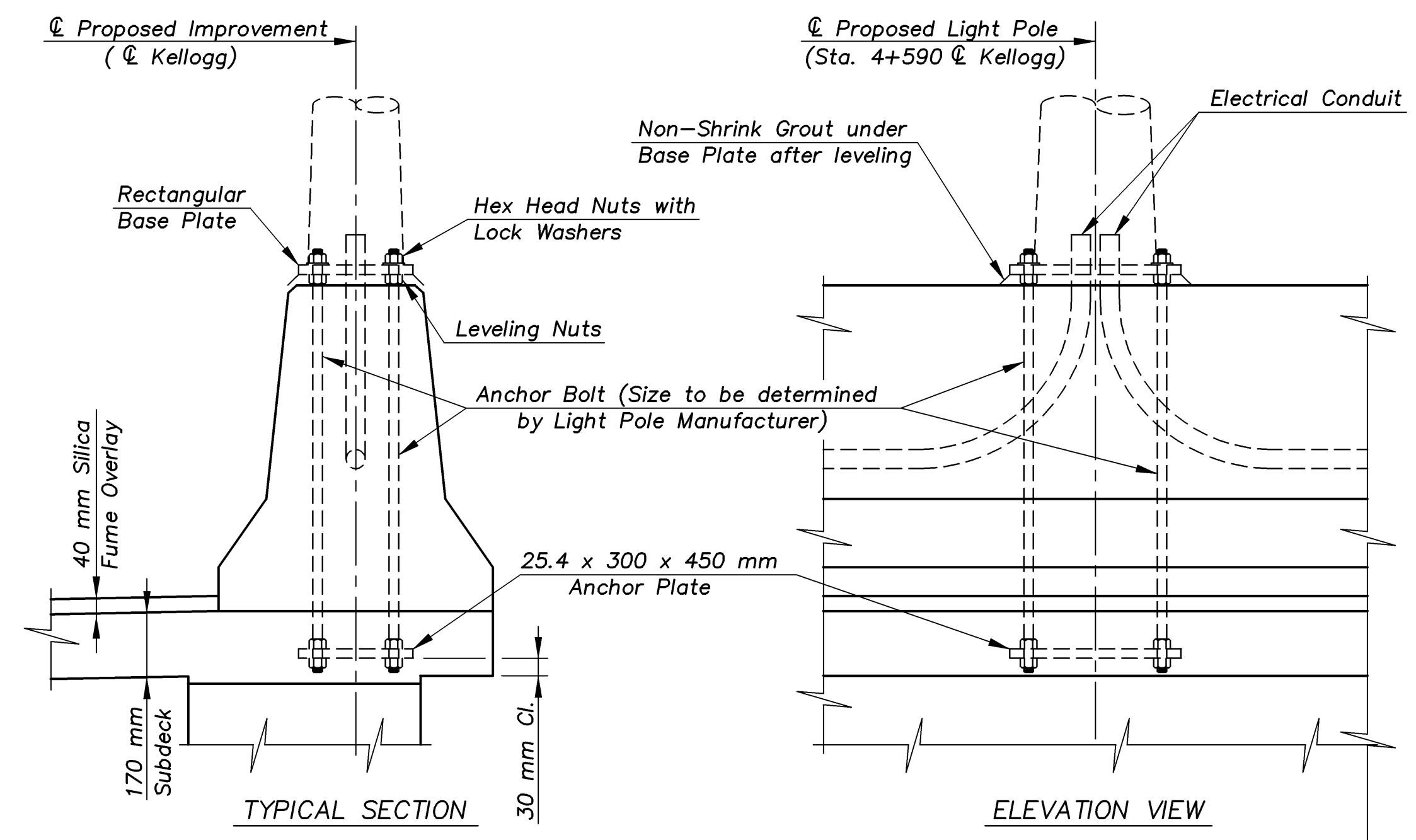


TYPICAL SECTION



PLAN VIEW

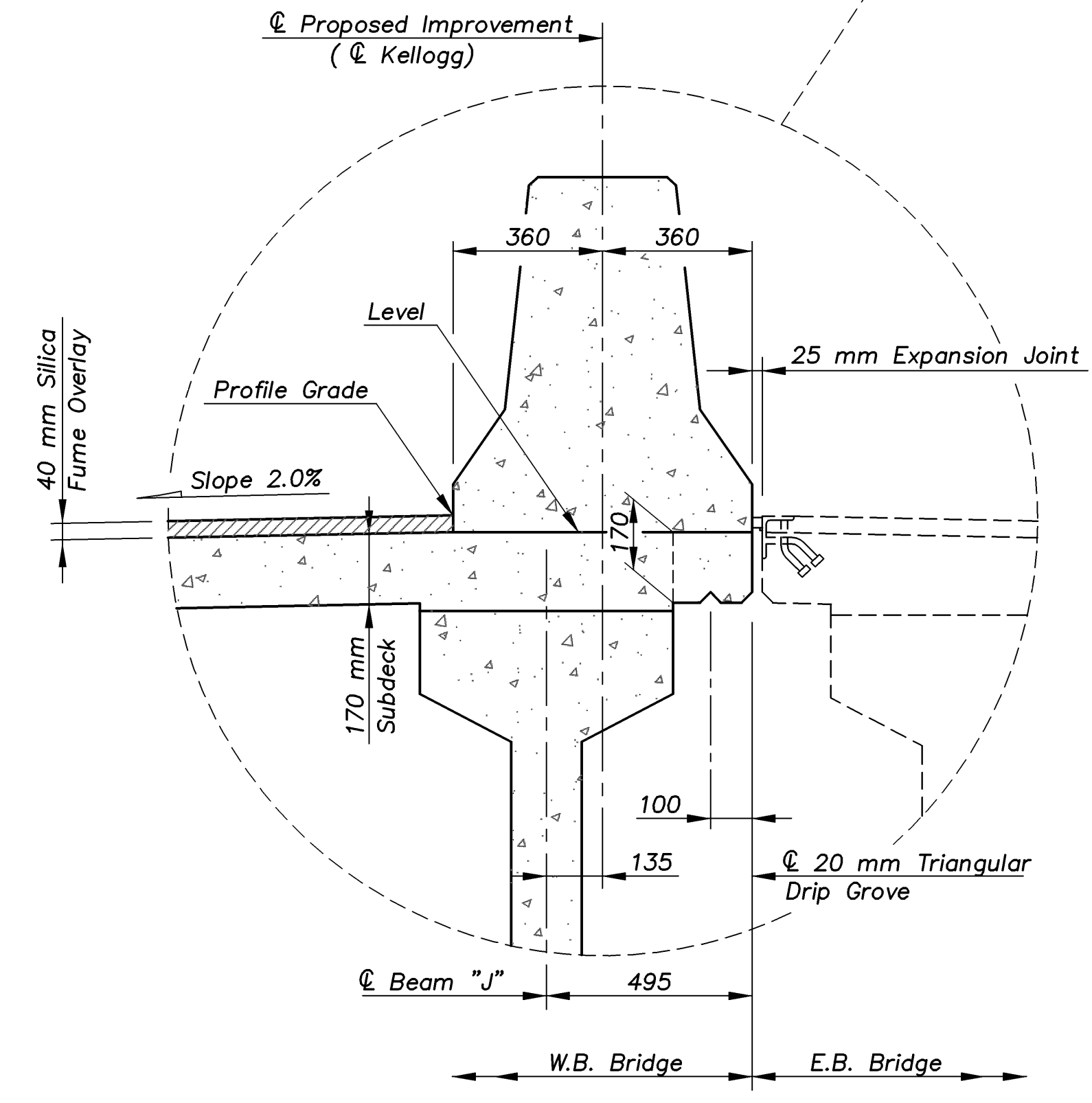
NOTE: See "Lighting Plans" for more information, notes and details.



TYPICAL SECTION

ELEVATION VIEW

BARRIER MOUNTED LIGHT PLOE DETAILS



W.B. Bridge E.B. Bridge

EASTERN/SLAB 1:100

KANSAS DEPARTMENT OF TRANSPORTATION
 BR. NO. 54-87-31.55(704) W.B. STA. 4+575.138

SUPERSTRUCTURE DETAILS
 KELLOGG AVENUE OVER EASTERN

Proj. No. 54-87 K-8258-08 SEDGWICK COUNTY

CFS
 Cook, Flatt & Strobel
 ENGINEERS, P. A.
 DESIGNED R.S.C. SCALE Varies
 DETAILED T.R.G. DATE
 QUANTITIES T.R.G. SHEET 34 OF 47