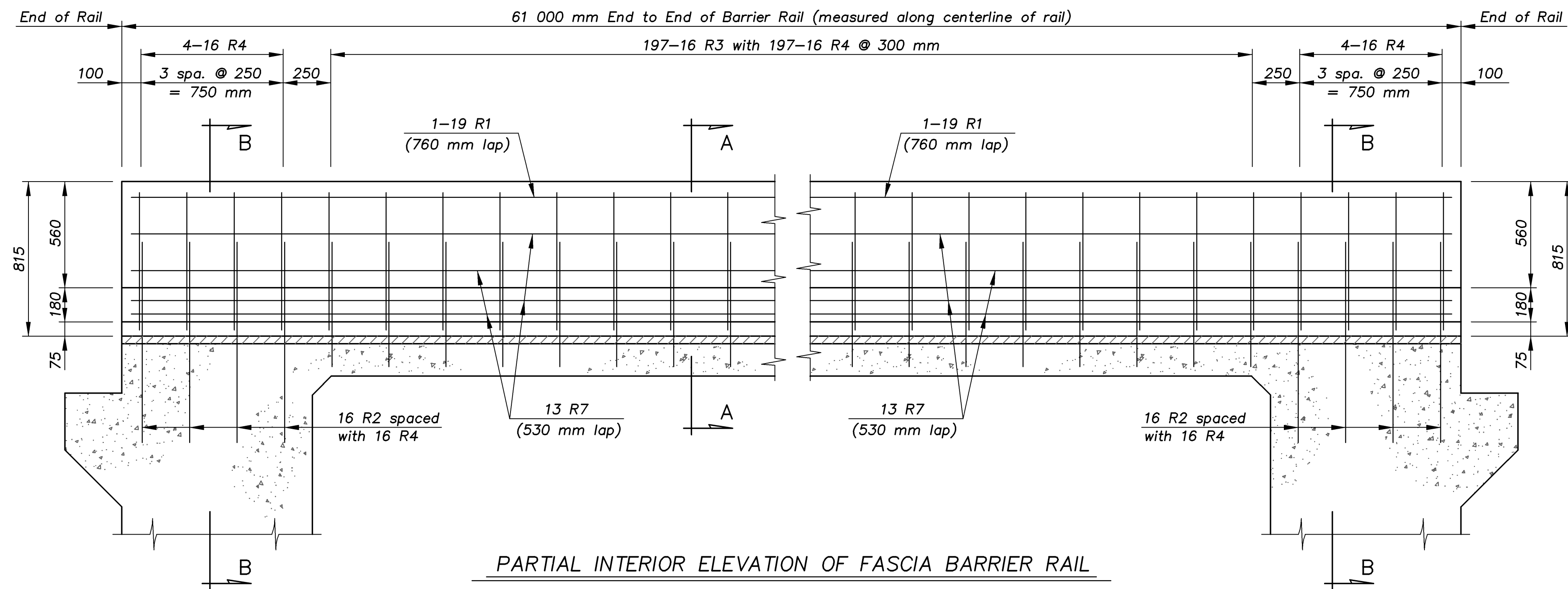
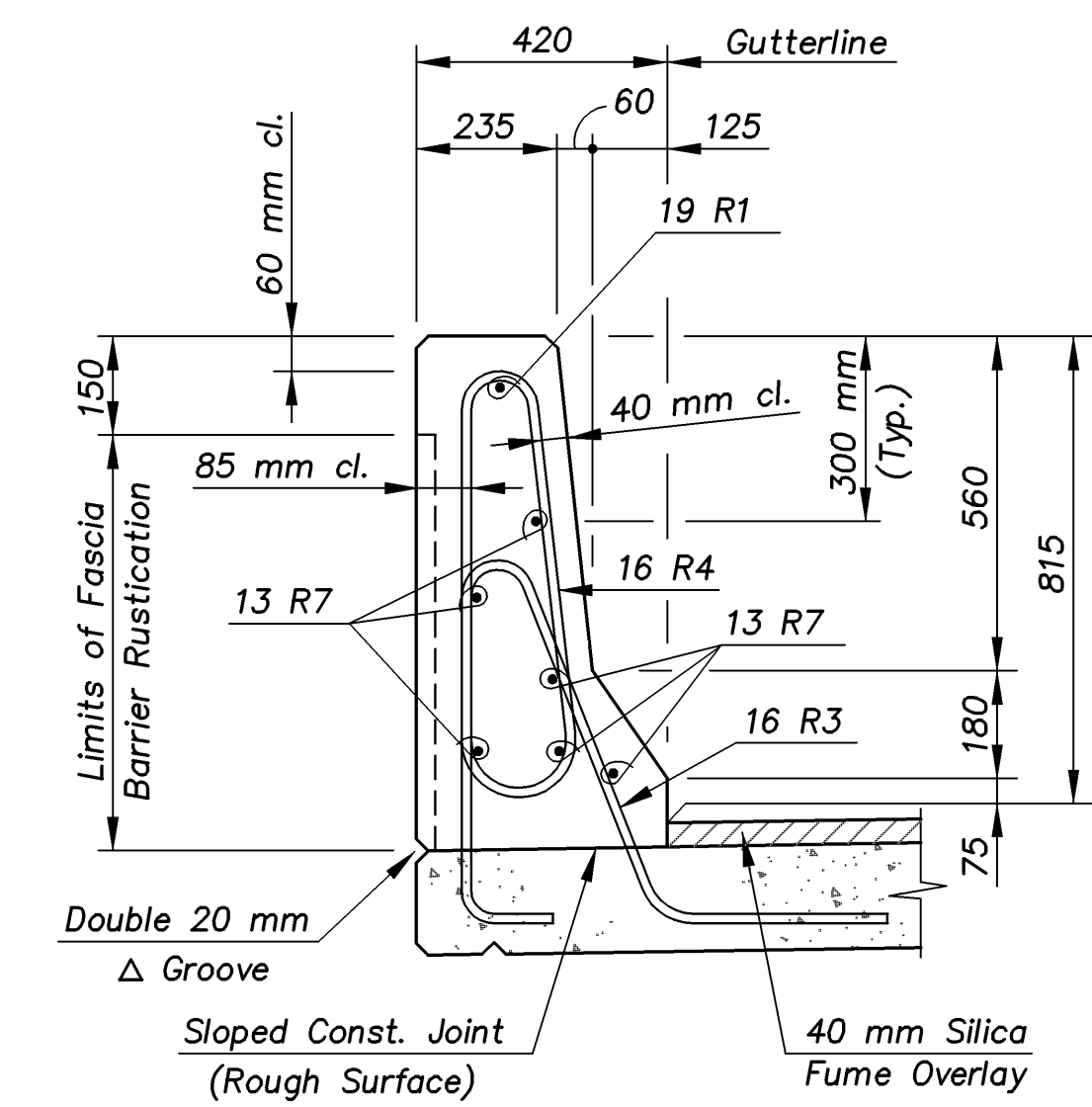


E.F. INDICATES EACH FACE.  
 N.F. INDICATES NEAR FACE.  
 F.F. INDICATES FAR FACE.

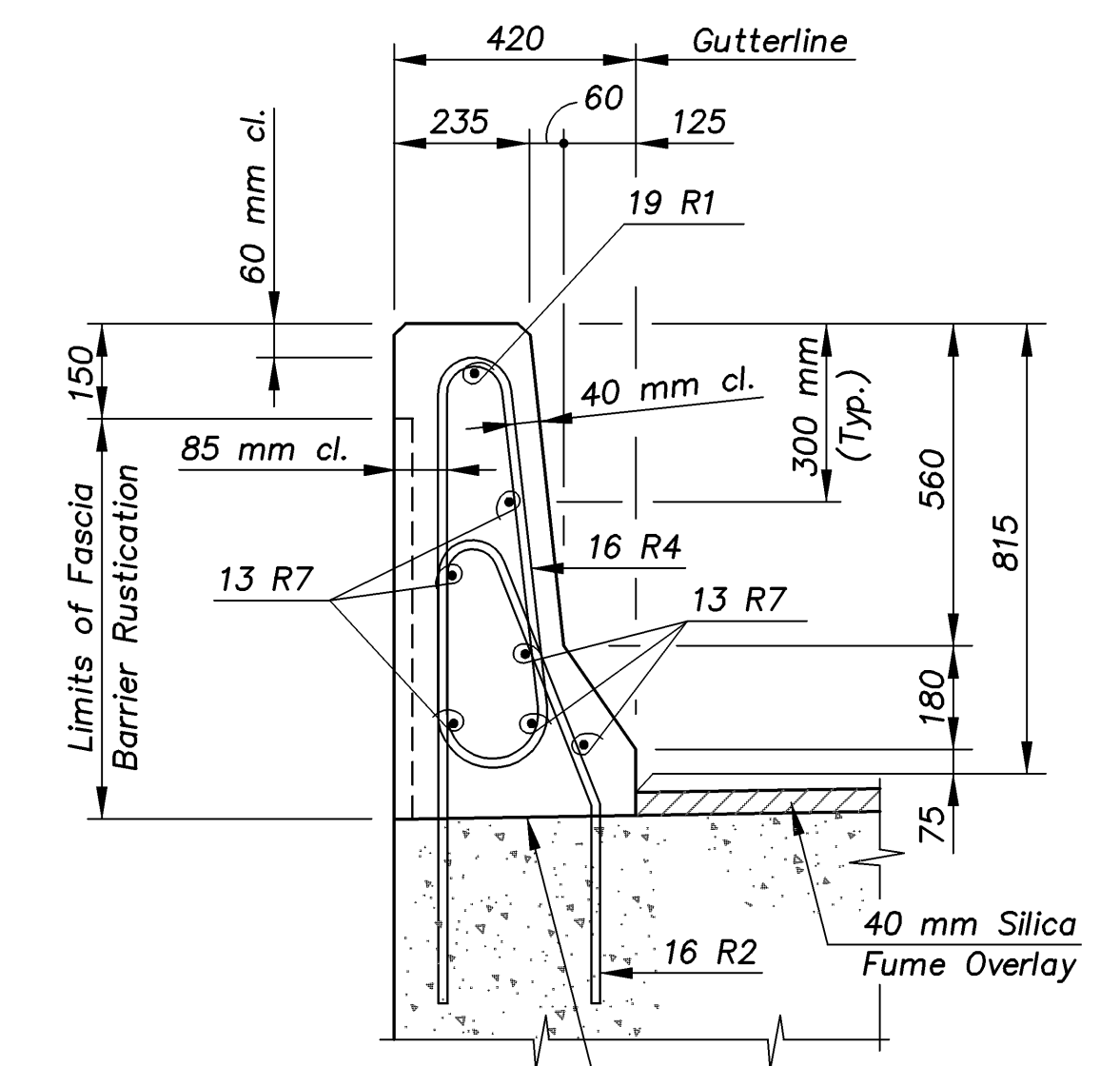
| STATE  | PROJECT NO.     | YEAR | SHEET NO. | TOTAL SHEETS |
|--------|-----------------|------|-----------|--------------|
| KANSAS | 54-87 K-8258-08 | 2005 | 120       | 223          |



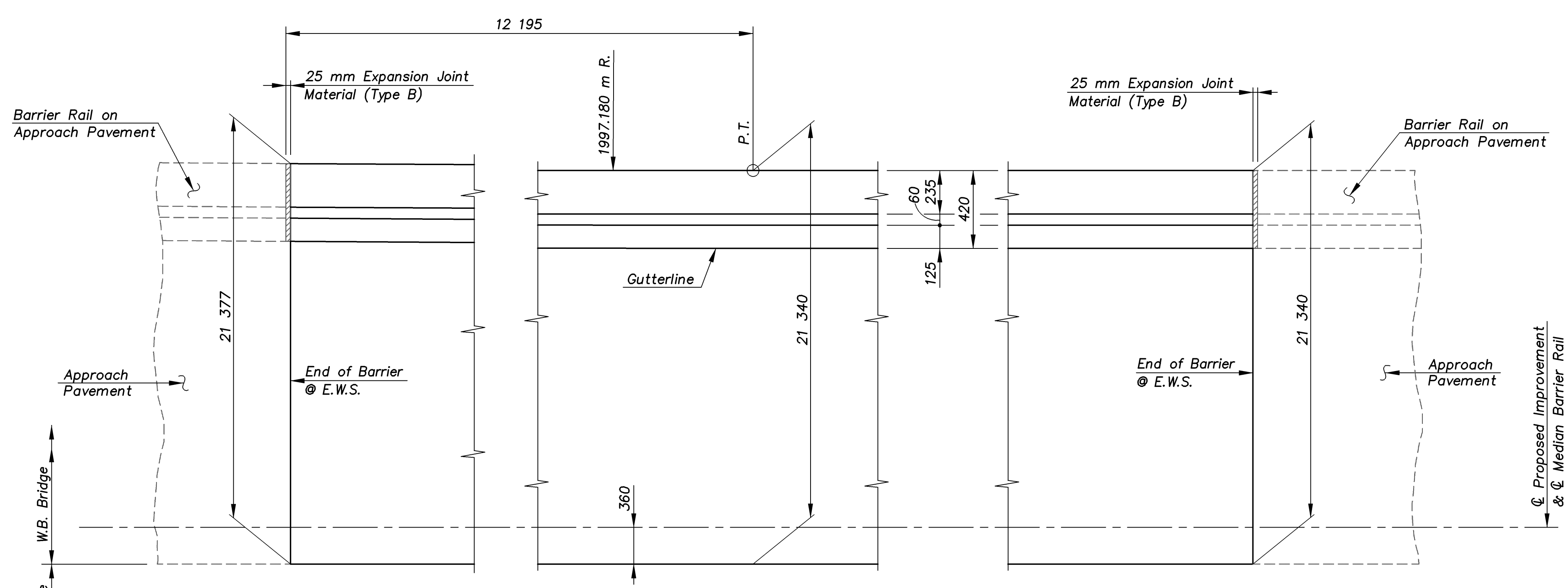
PARTIAL INTERIOR ELEVATION OF FASCIA BARRIER RAIL



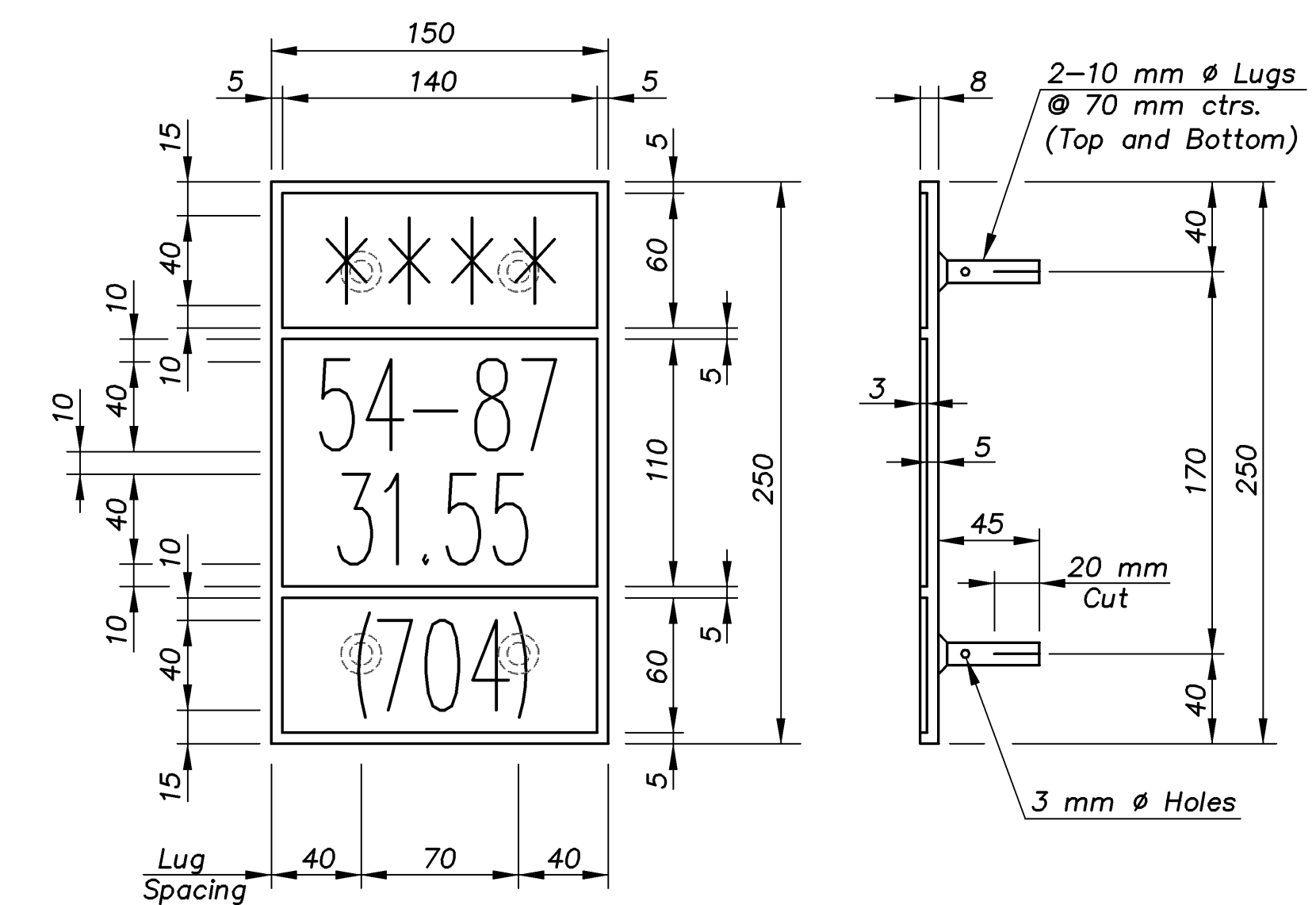
SECTION A-A



SECTION B-B



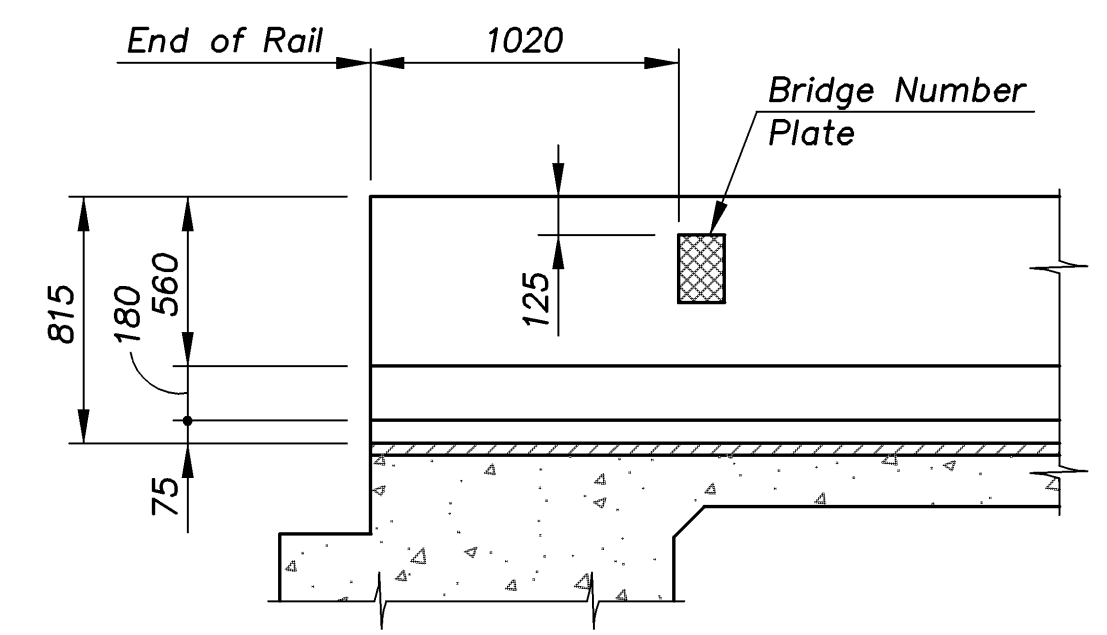
PARTIAL PLAN OF FASCIA BARRIER RAIL



\*\*\*\* Year Bridge is completed.

BRIDGE NUMBER PLATE DETAIL  
 (One Required thus)

NOTE: For location of Bridge Number Plate see "Construction Layout" sheet for West Bound Bridge.



ELEVATION OF ENTRANCE END OF BARRIER

EASTERN/BARRIER  
 1:100

|  |  |   |  |
|--|--|---|--|
| KANSAS DEPARTMENT OF TRANSPORTATION          |  | CFS                                       |  |
| BR. NO. 54-87-31.55(704) W.B. STA. 4+575.138 |  | Cook, Flatt & Strobel<br>ENGINEERS, P. A. |  |
| FASCIA BARRIER RAIL DETAILS                  |  | DESIGNED R.S.C. SCALE Varies              |  |
| KELLOGG AVENUE OVER EASTERN                  |  | DETAILED T.R.G. DATE                      |  |
| Proj. No. 54-87 K-8258-08 SEDGWICK COUNTY    |  | QUANTITIES T.R.G. SHEET 42 OF 47          |  |