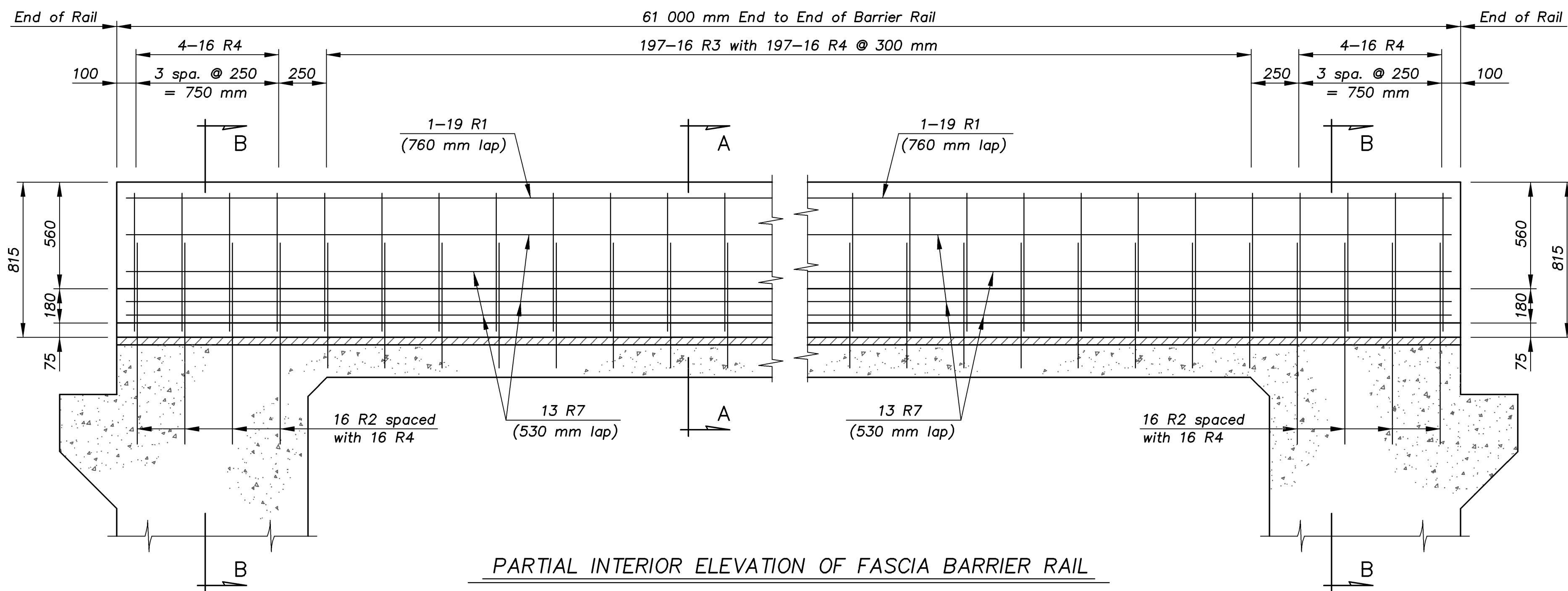
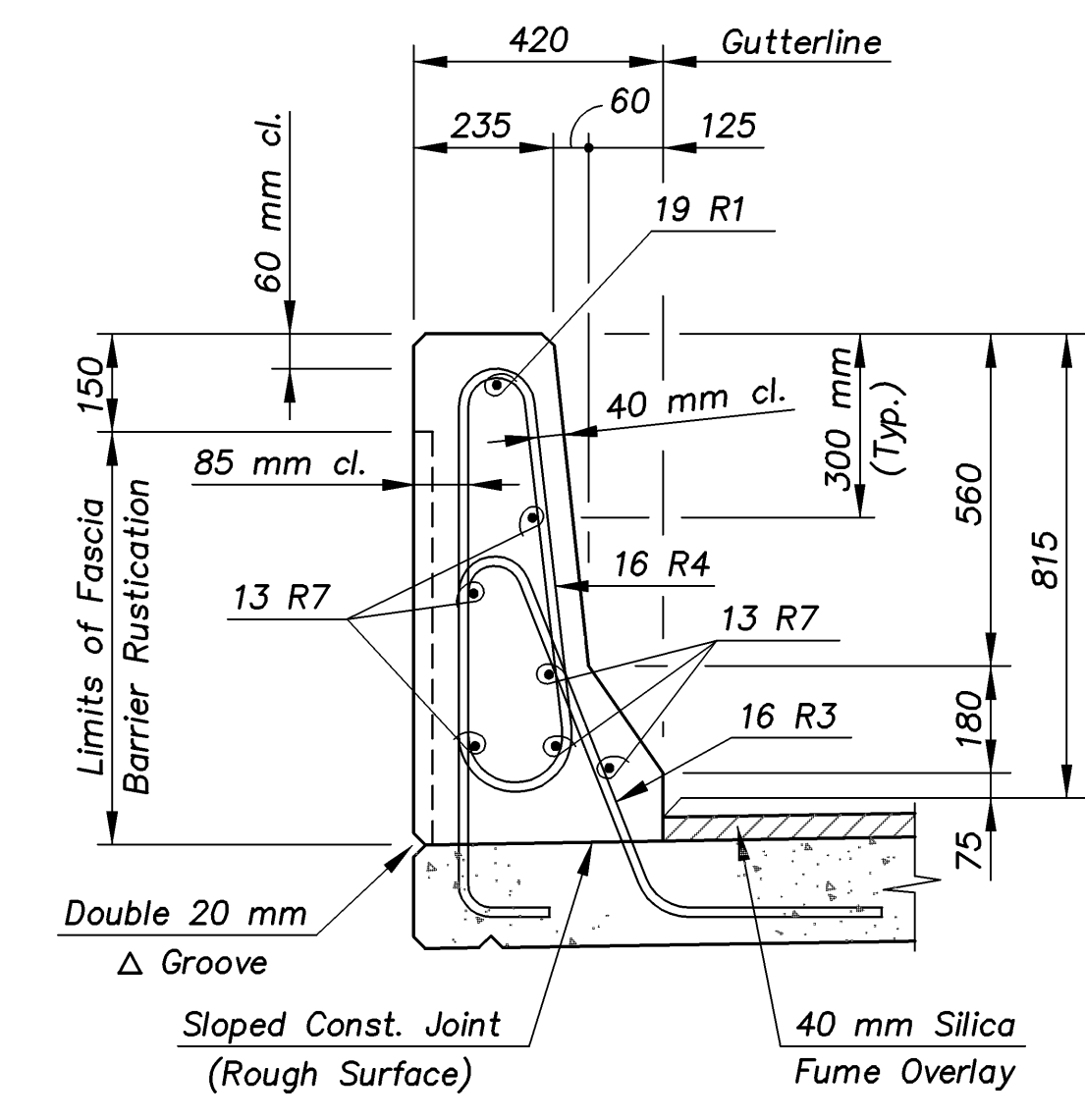


E.F. INDICATES EACH FACE.
 N.F. INDICATES NEAR FACE.
 F.F. INDICATES FAR FACE.

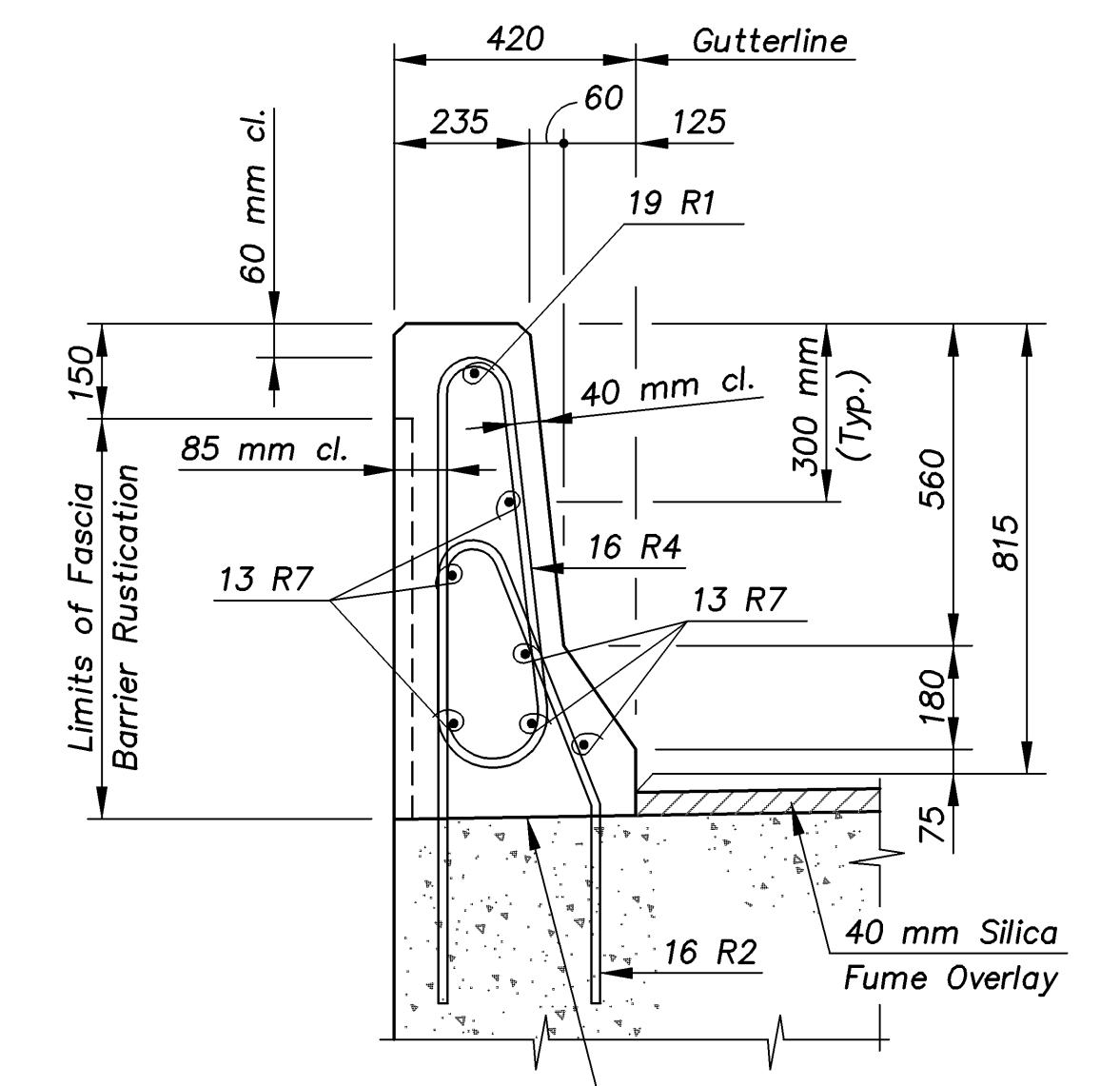
STATE	PROJECT NO.	YEAR	SHEET NO.	TOTAL SHEETS
KANSAS	54-87 K-8258-08	2005	121	223



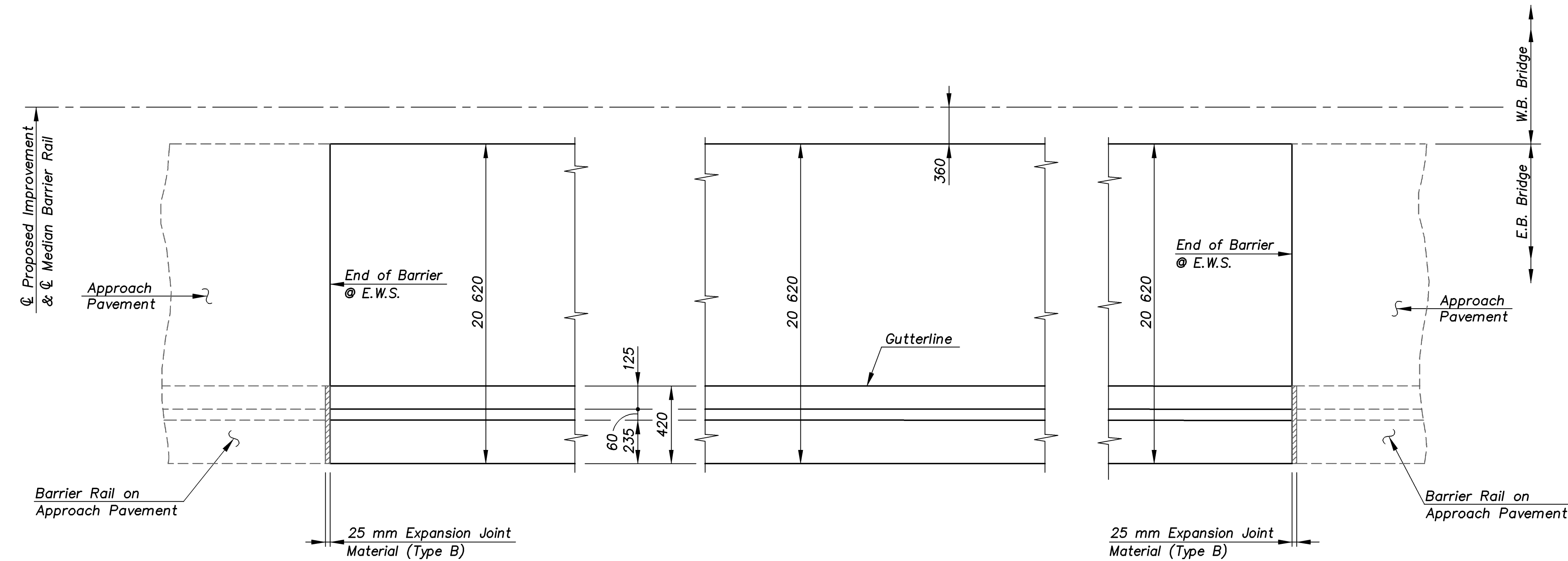
PARTIAL INTERIOR ELEVATION OF FASCIA BARRIER RAIL



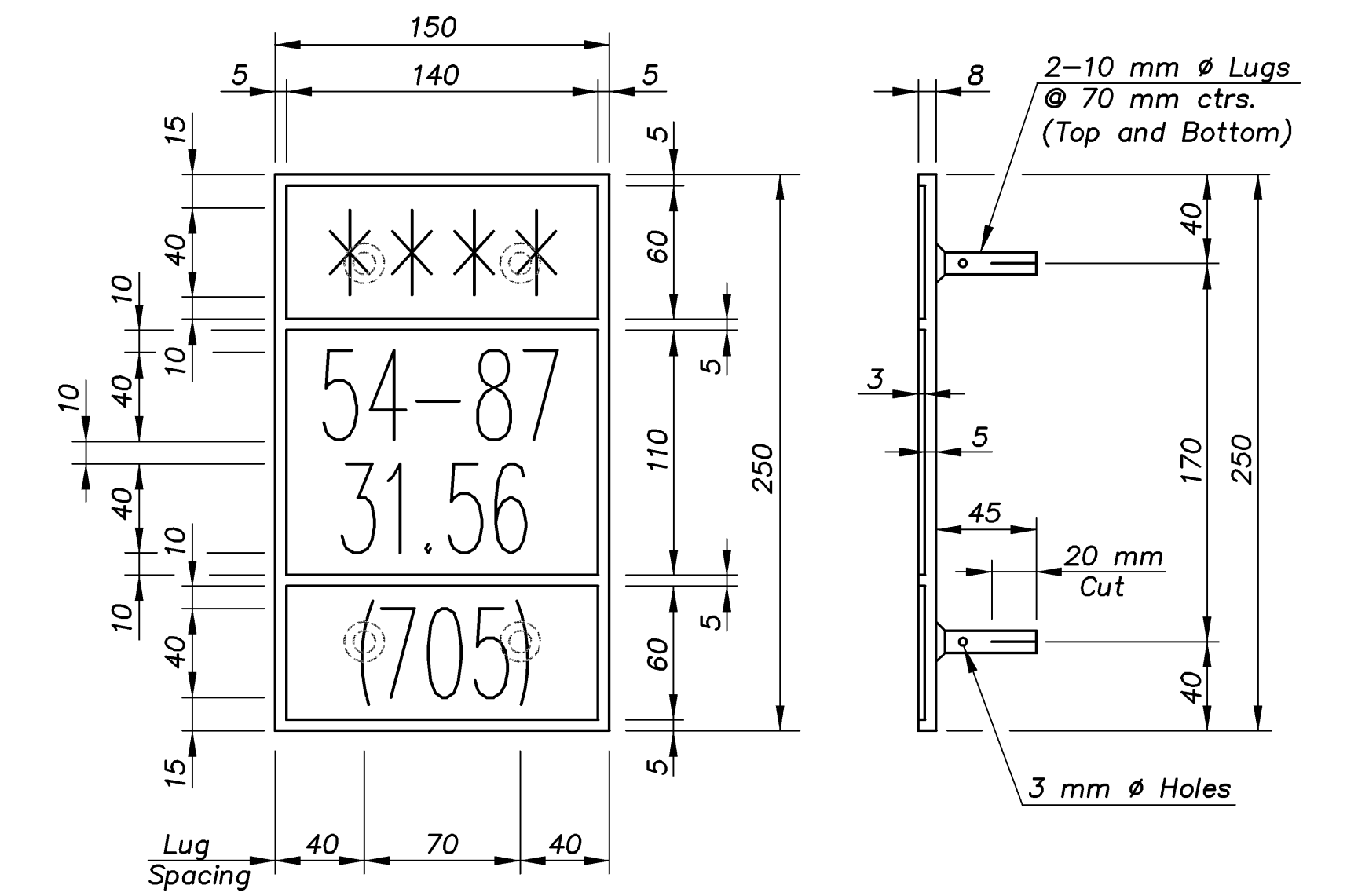
SECTION A-A



SECTION B-B



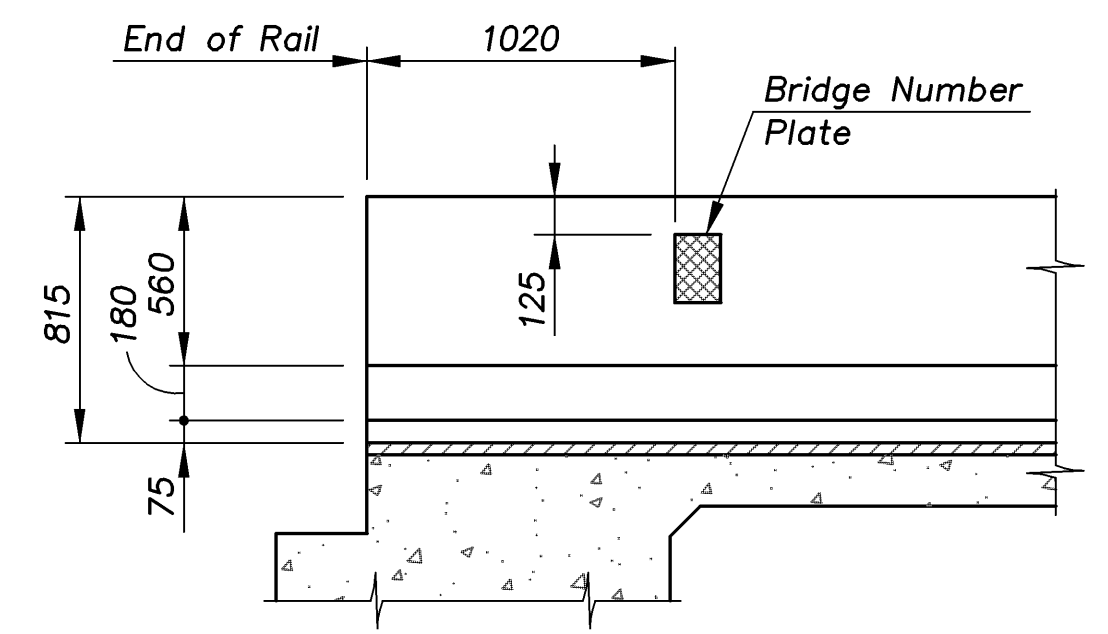
PARTIAL PLAN OF FASCIA BARRIER RAIL



*** Year Bridge is completed.

BRIDGE NUMBER PLATE DETAIL
 (One Required thus)

NOTE: For location of Bridge Number Plate see "Construction Layout" sheet for East Bound Bridge.



ELEVATION OF ENTRANCE END OF BARRIER

EASTERN/BARRIER 1:100

KANSAS DEPARTMENT OF TRANSPORTATION
 BR. NO. 54-87-31.56(705) E.B. STA. 4+575.138

FASCIA BARRIER RAIL DETAILS
 KELLOGG AVENUE OVER EASTERN

Proj. No. 54-87 K-8258-08 SEDGWICK COUNTY

CFS
 Cook, Flatt & Strobel
 ENGINEERS, P. A.

DESIGNED	R.S.C.	SCALE	Varies
DETAILED	T.R.G.	DATE	
QUANTITIES	T.R.G.	SHEET	43 OF 47