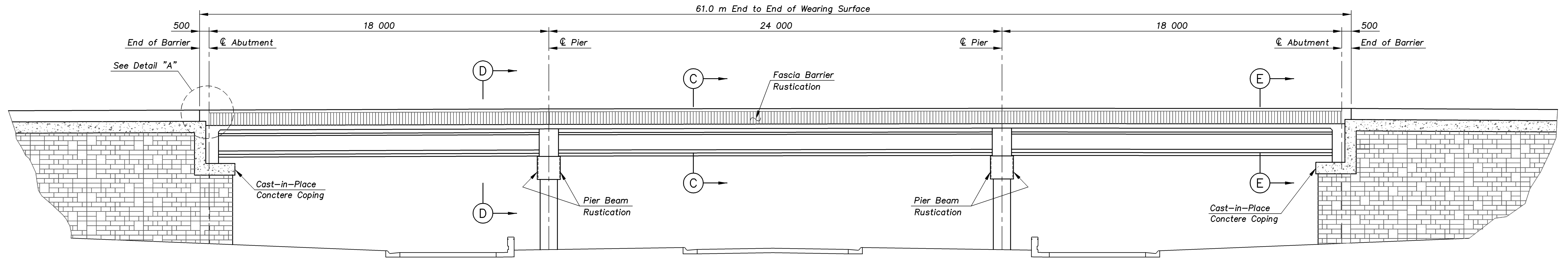
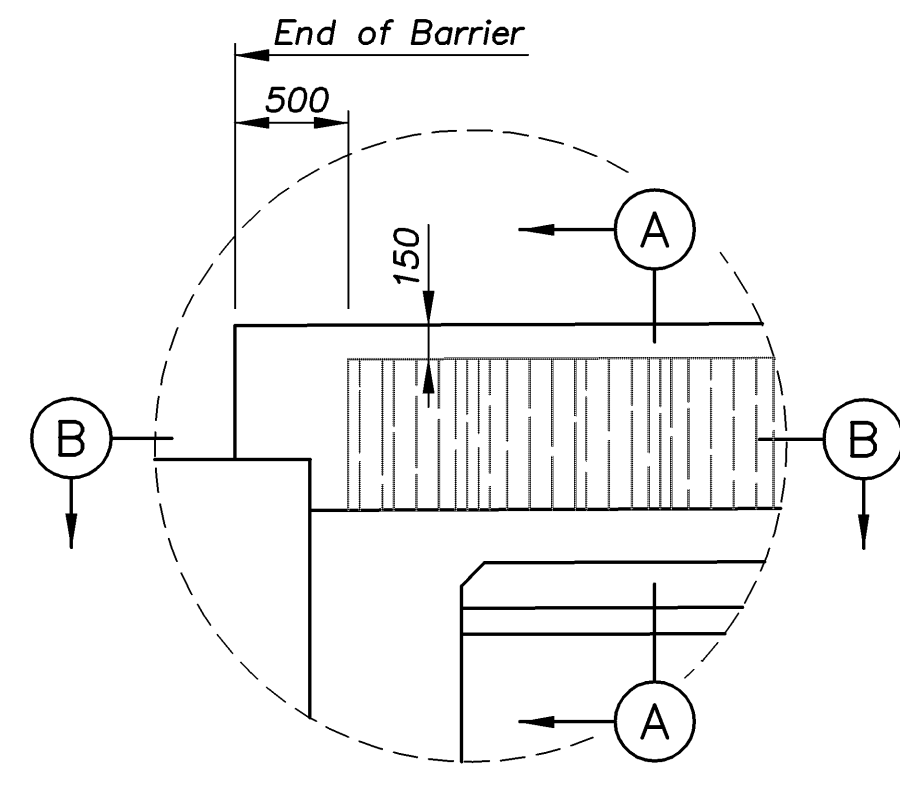


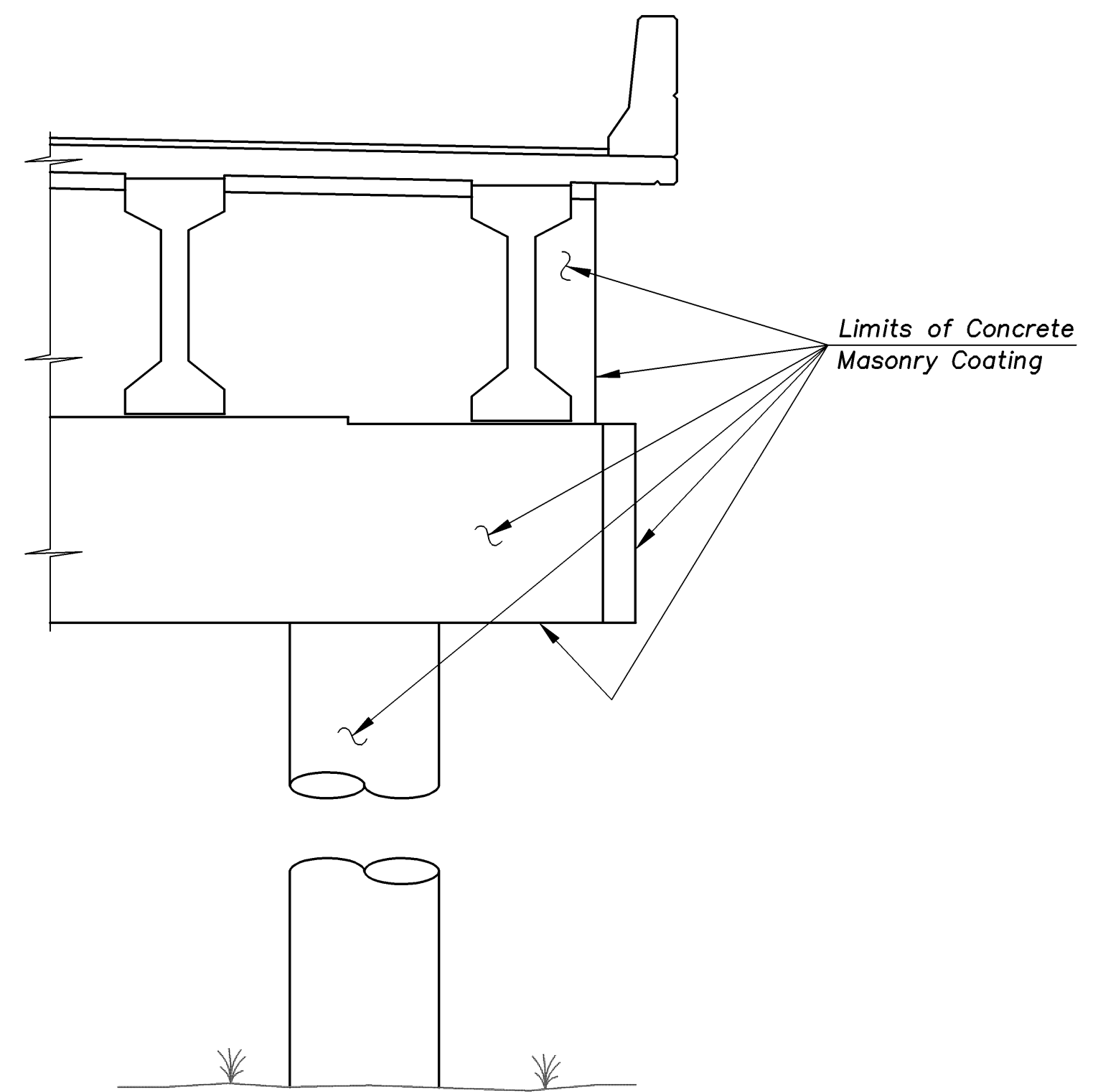
| | | | | |
|--------|-----------------|------|-----------|--------------|
| STATE | PROJECT NO. | YEAR | SHEET NO. | TOTAL SHEETS |
| KANSAS | 54-87 K-8258-08 | 2005 | 122 | 223 |



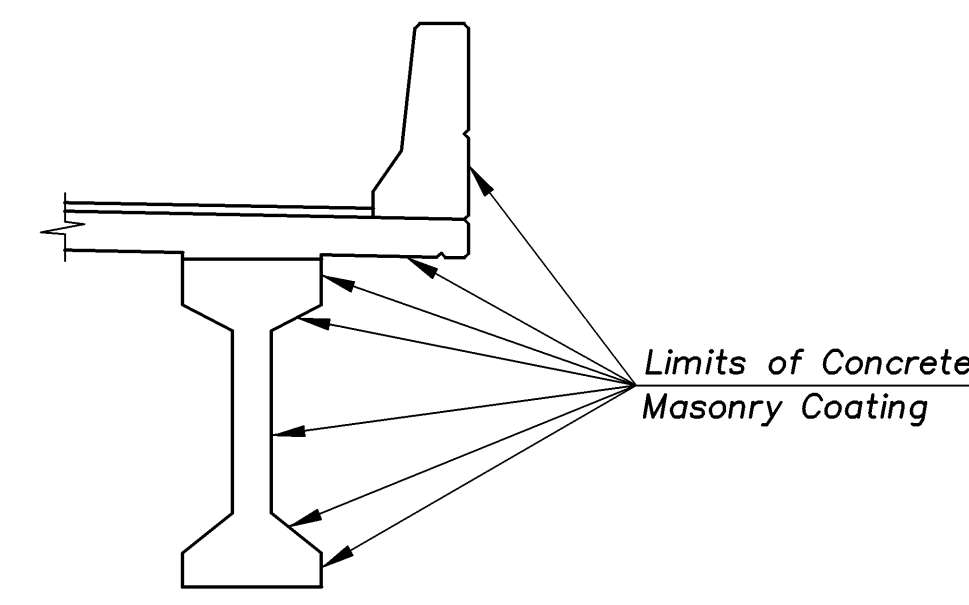
TYPICAL ELEVATION



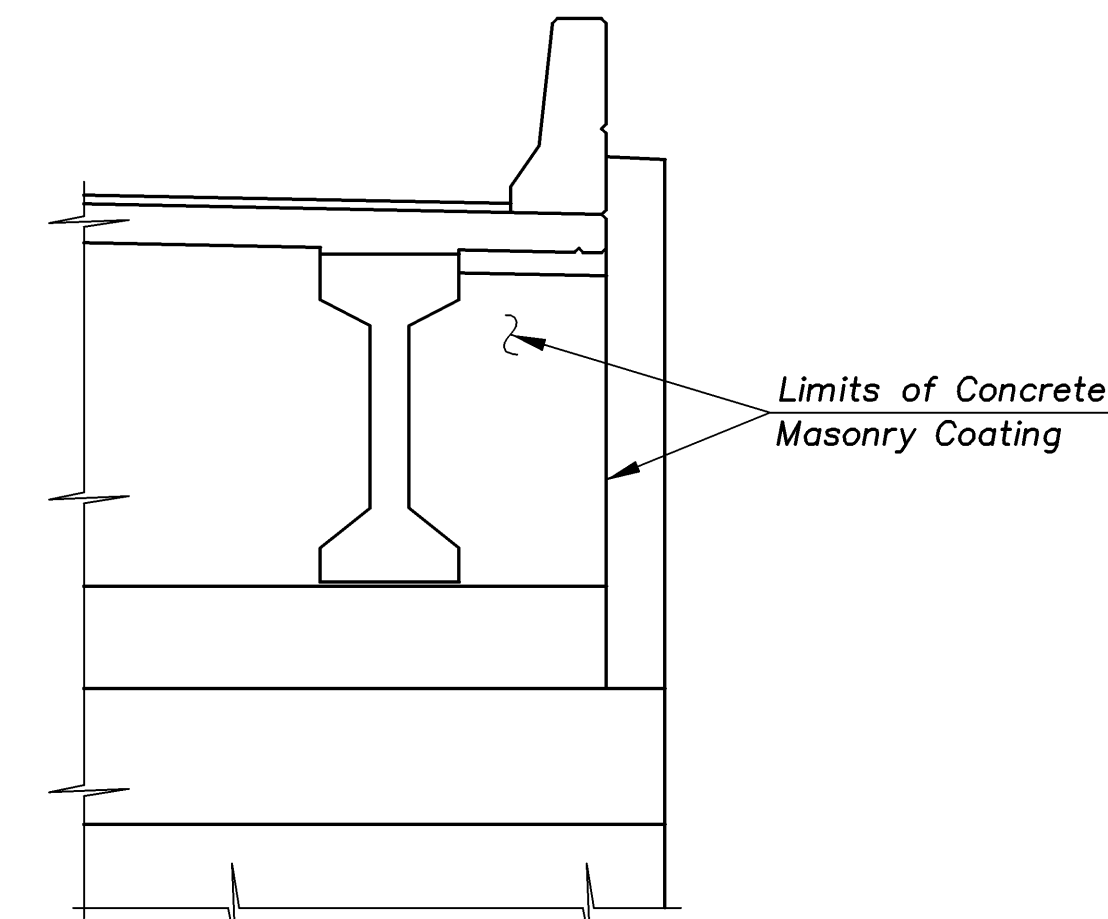
DETAIL "A"



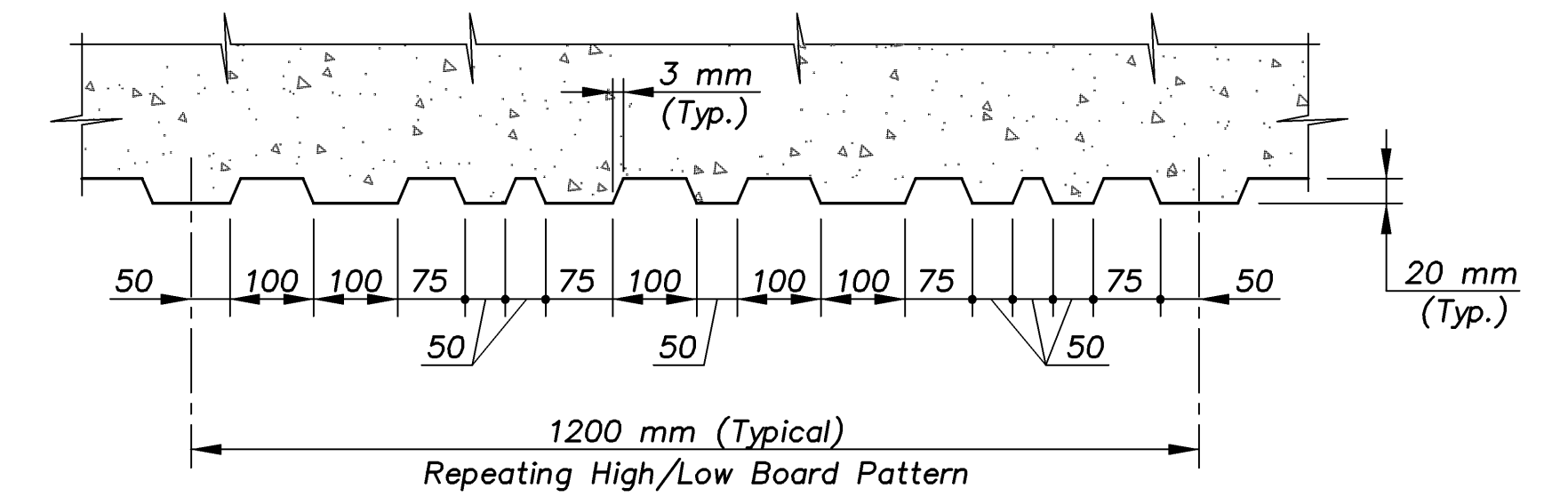
SECTION D-D



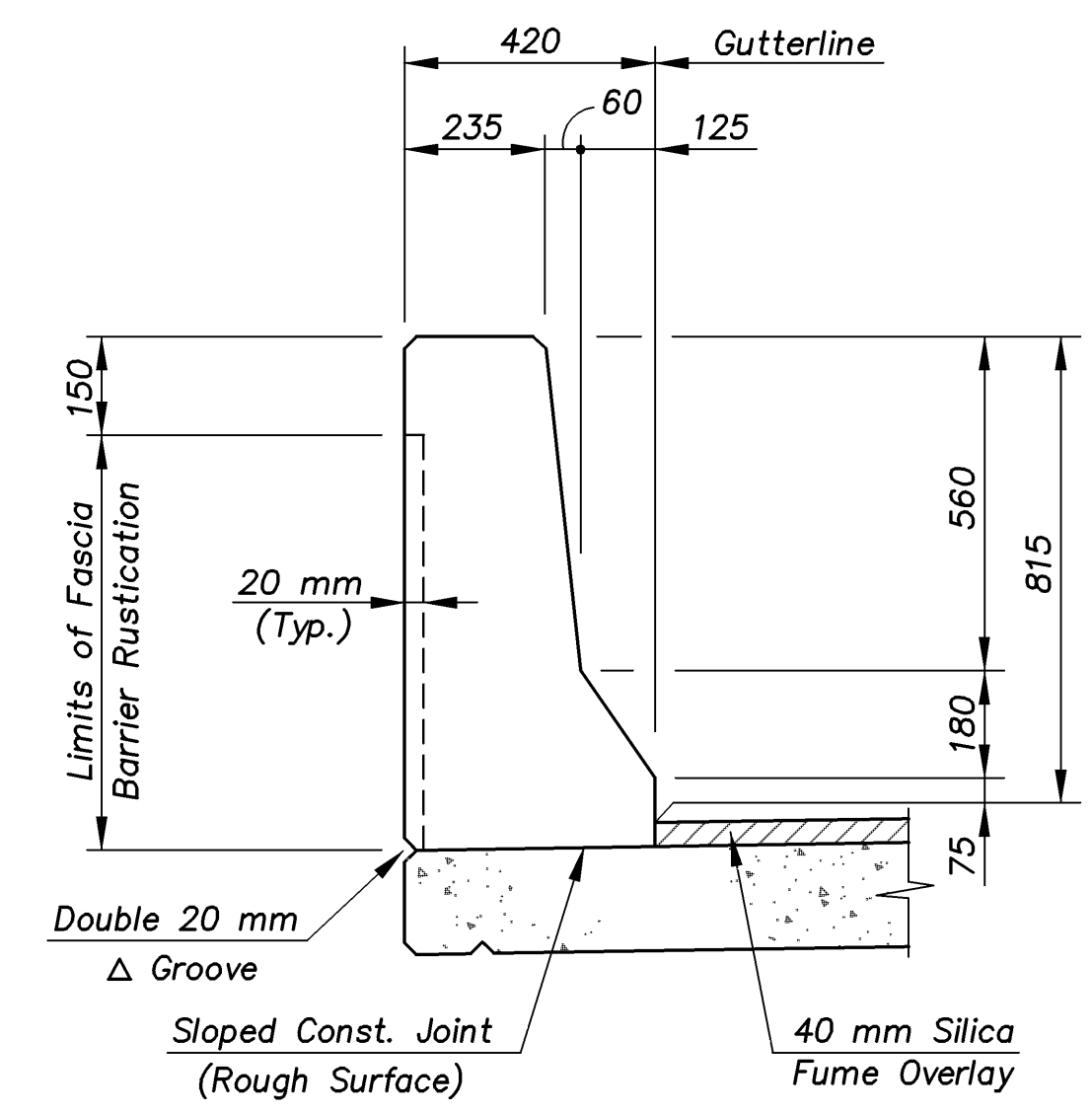
SECTION C-C



SECTION E-E



SECTION B-B



SECTION A-A

LIMITS OF CONCRETE MASONRY COATING

Concrete Masonry Coating shall be applied to all exterior concrete surfaces of the Fascia Barrier Rail, Deck, P.C. Beams, all exposed surfaces of the Pier and Abutment Diaphragms, Pier Beams (except the top) and the Pier Columns within the limits detailed on this sheet. The color of the Concrete Masonry Coating shall match Color No. 30318 (Limestone Tan) of Federal Standard 595B, unless an equal is approved by the Engineer. A non-petroleum based form release agent shall be used on formed surfaces to be coated. All labor, materials and incidentals necessary to perform this work shall not be paid for directly, but shall be considered *Subsidiary to the bid item "Concrete (Grade 31) (AE)"*.

KANSAS DEPARTMENT OF TRANSPORTATION
 BR. NO. 54-87-31.55(704) W.B. STA. 4+575.138
 BR. NO. 54-87-31.56(705) E.B.
BARRIER RUSTICATION DETAILS
 KELLOGG AVENUE OVER EASTERN
 Proj. No. 54-87 K-8258-08 SEDGWICK COUNTY

CFS
 Cook, Flatt & Strobel
 ENGINEERS, P. A.
 DESIGNED R.S.C. SCALE Varies
 DETAILED T.R.G. DATE
 QUANTITIES T.R.G. SHEET 44 OF 47

EASTERN/RUSTICATION 1:100