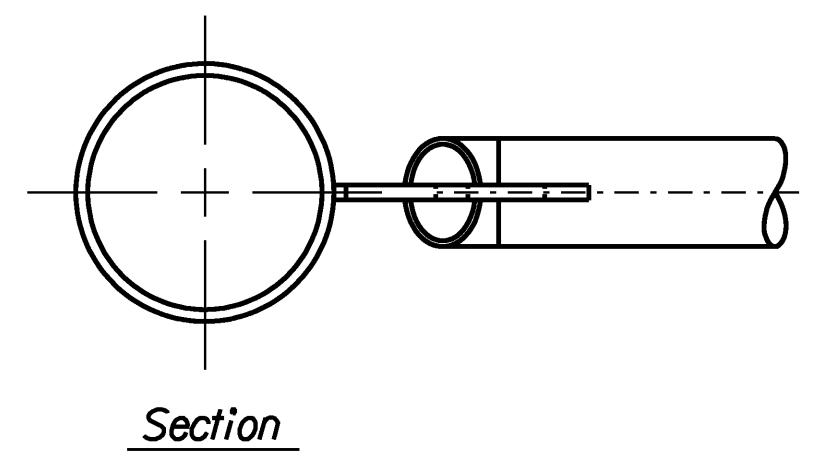
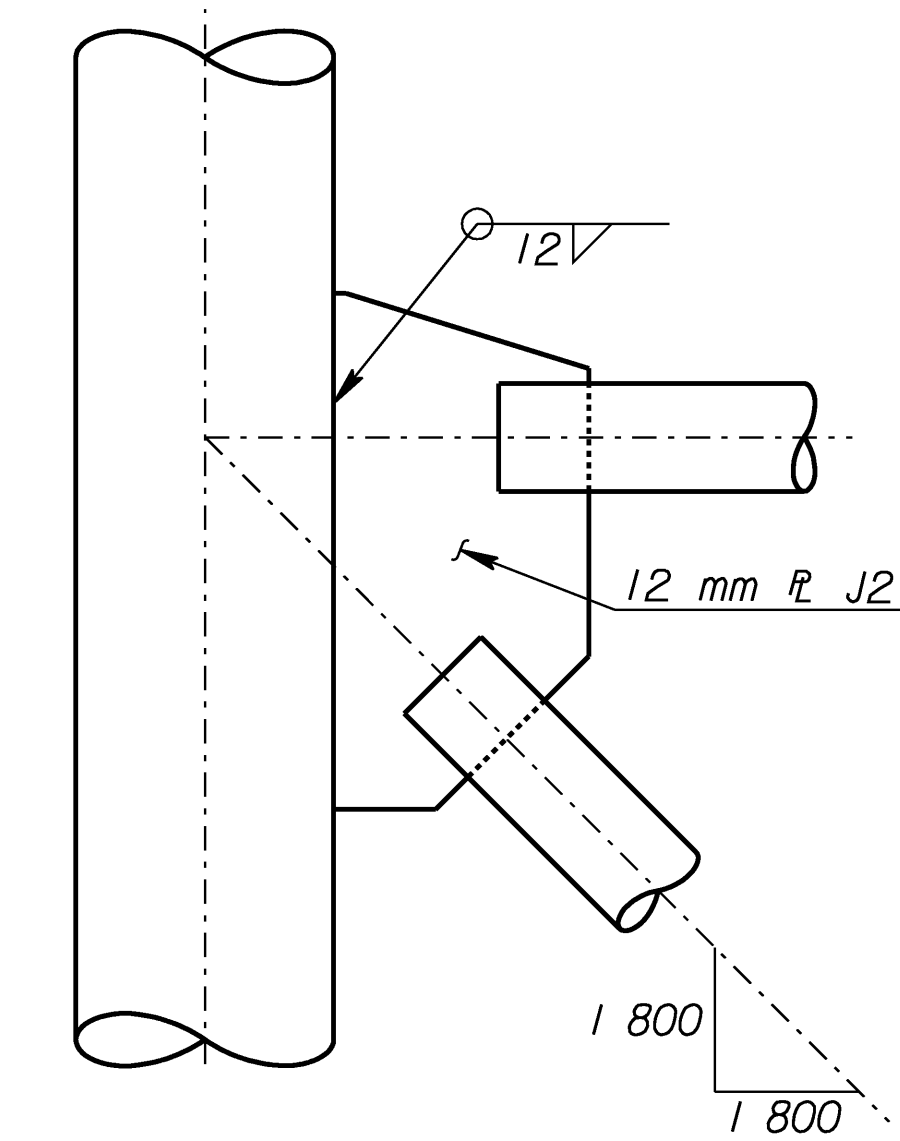
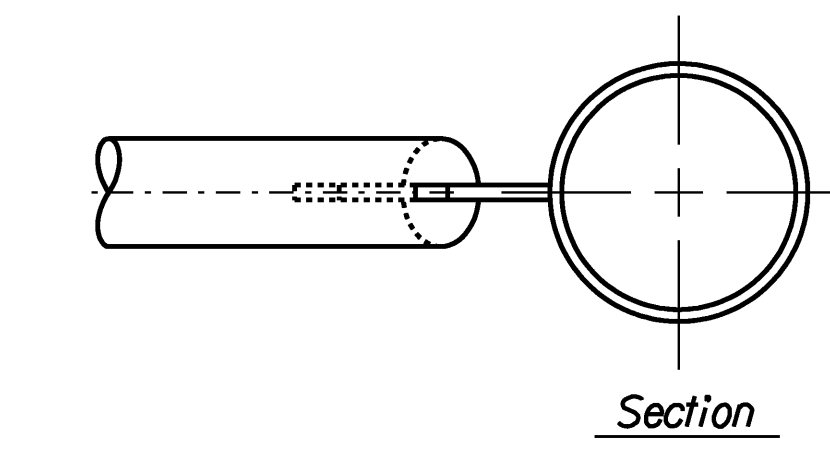
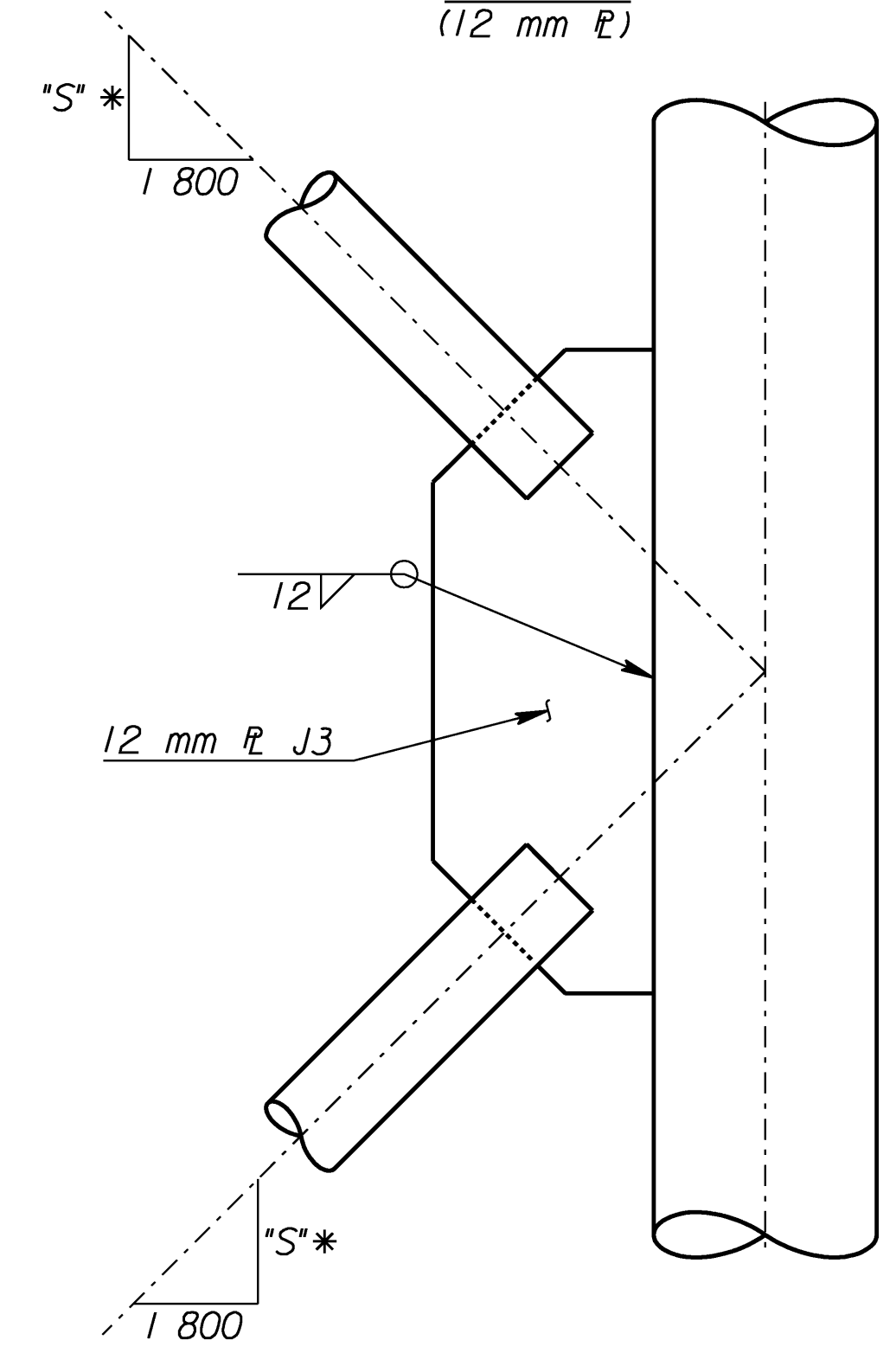


DETAILS JOINT J1



DETAILS JOINT J2

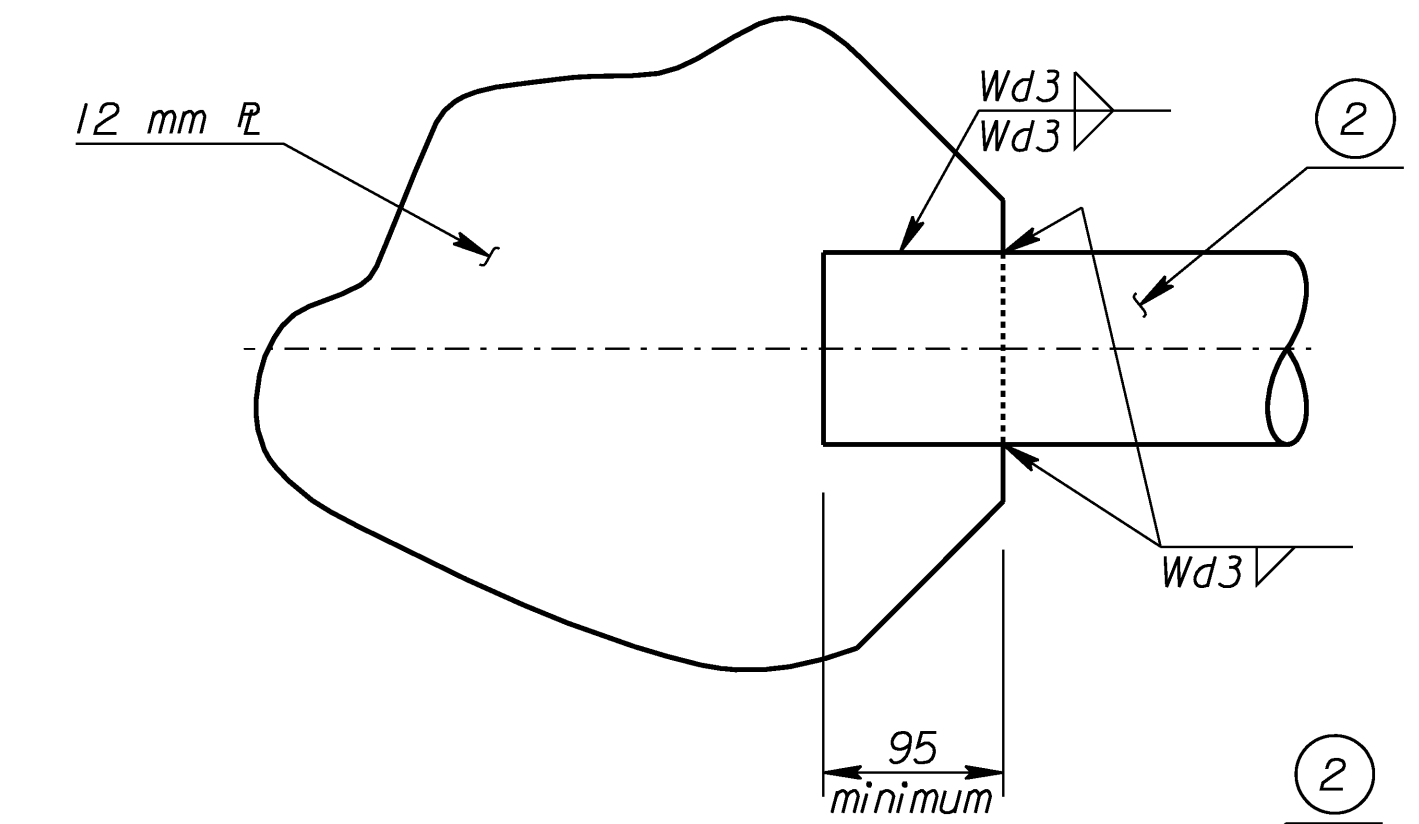


DETAILS JOINT J3

* Note: Joint J4 is identical to J3 except J4 has an additional member (See End Support Elevation).

Member ②* wall thickness	Fillet Weld size Wd3
3.05	6
6.02	12
8.56	16

* See Construction Layout for wall thickness and "S"



Std. Base File: sl151bsi.dgn - Plot 2
 Plotted By: bond
 File: F:\Working\825801\SL Structures\SL-825801-151bsi.dgn
 Plot Date: 6/29/2005

NO.	DATE	REVISIONS	BY	APP'D
KANSAS DEPARTMENT OF TRANSPORTATION STANDARD STRUCTURAL SIGN SUPPORTS SPAN TYPE OVERHEAD ALUMINUM ALTERNATE END SUPPORT JOINT DETAILS SL151B-02 SI				
DESIGNED		APP'D		Kenneth F. Hurst
BFM		DDP		CADD
RDH		RDH		CADD
DESIGN CK.		QUANTITIES		LES
RDH		RDH		LES