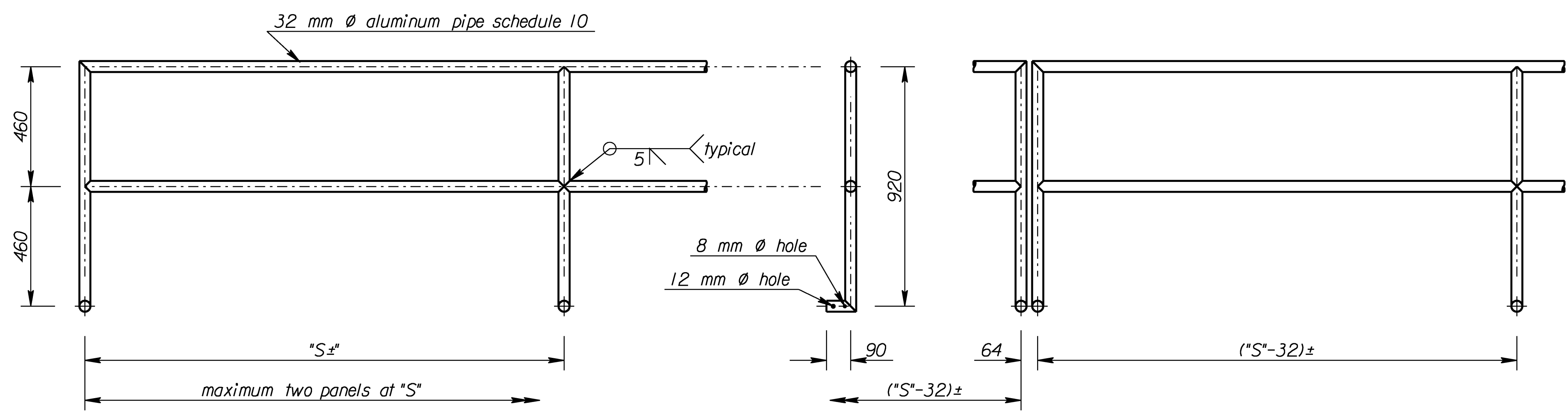
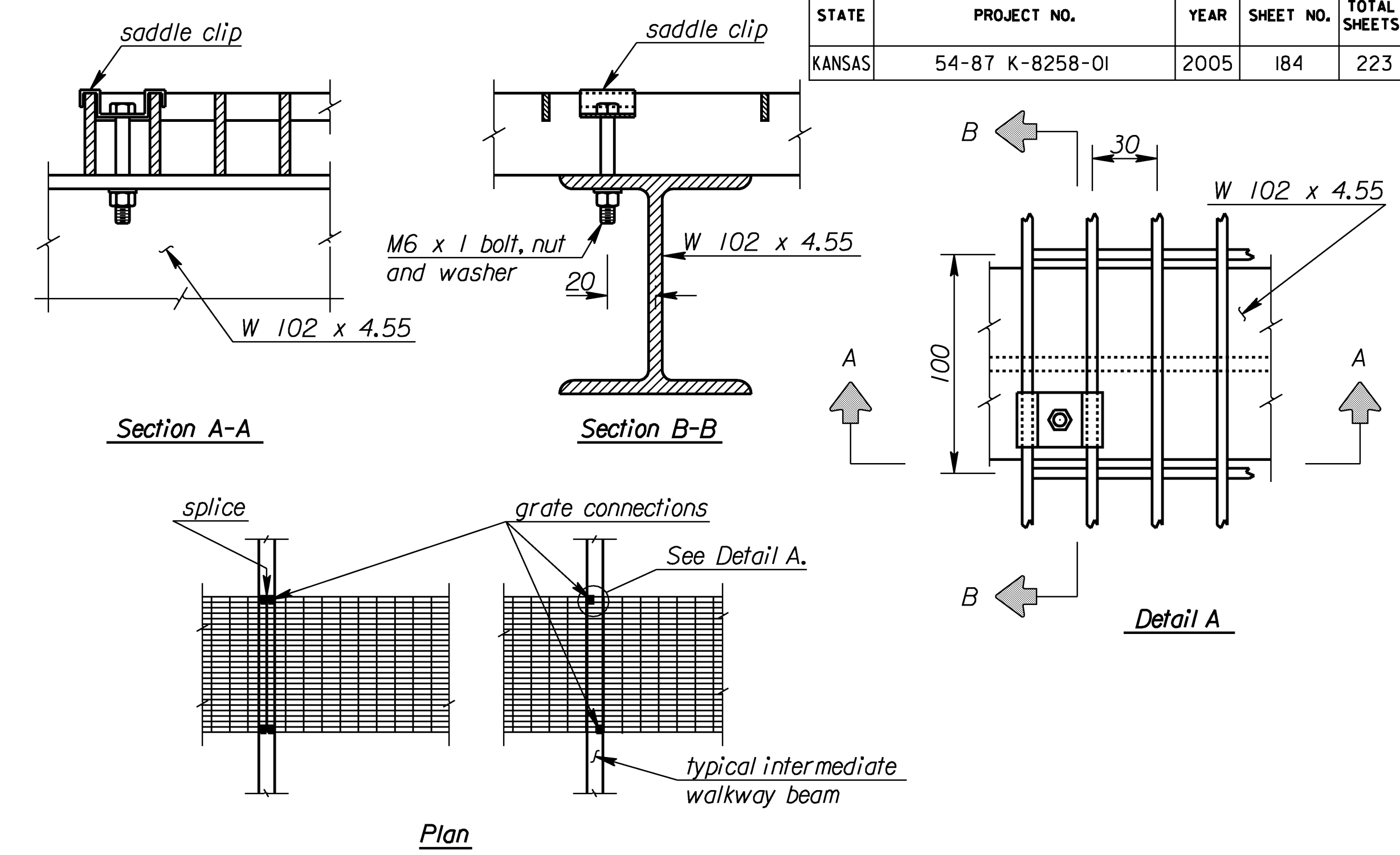


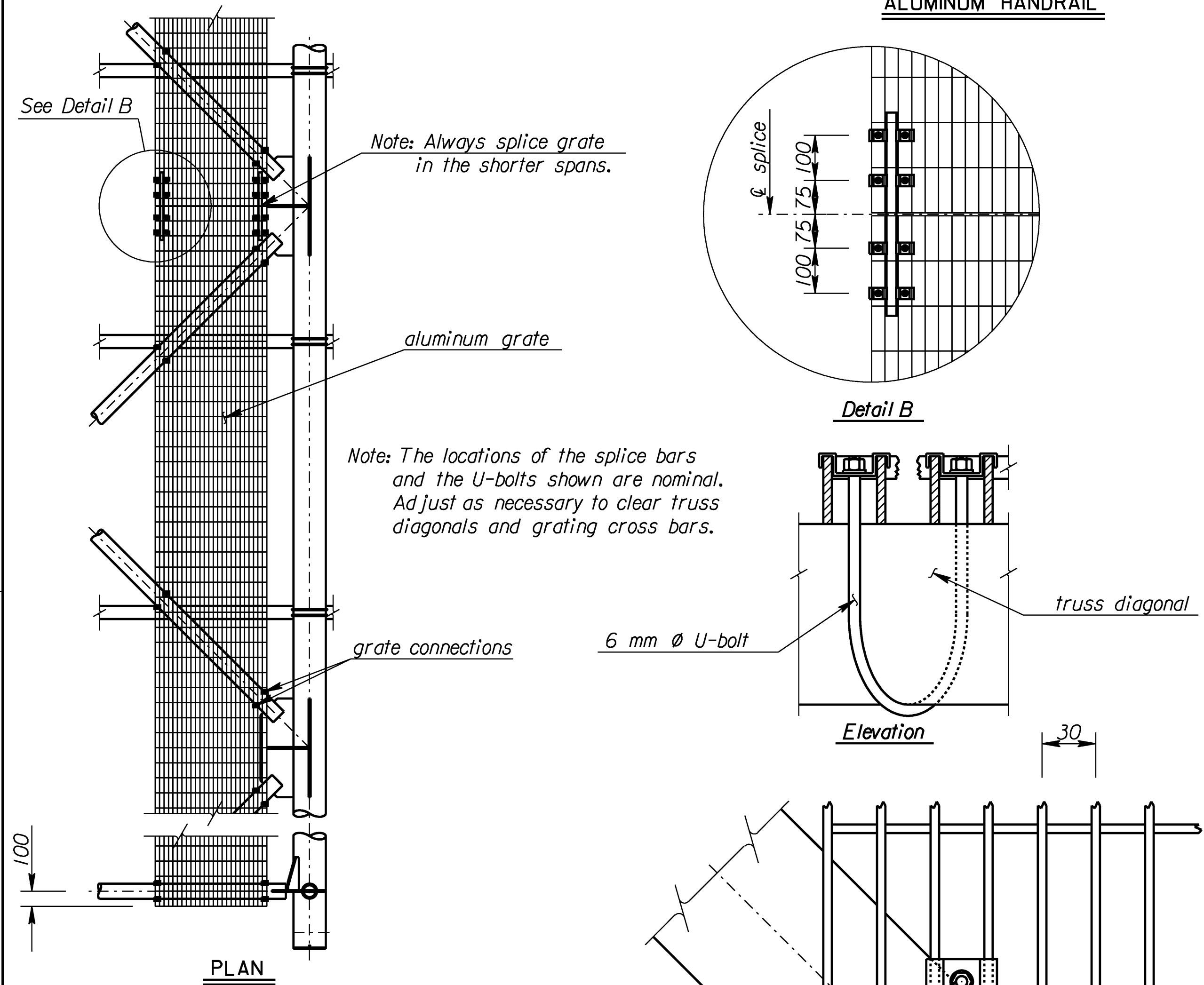
STATE	PROJECT NO.	YEAR	SHEET NO.	TOTAL SHEETS
KANSAS	54-87 K-8258-01	2005	184	223



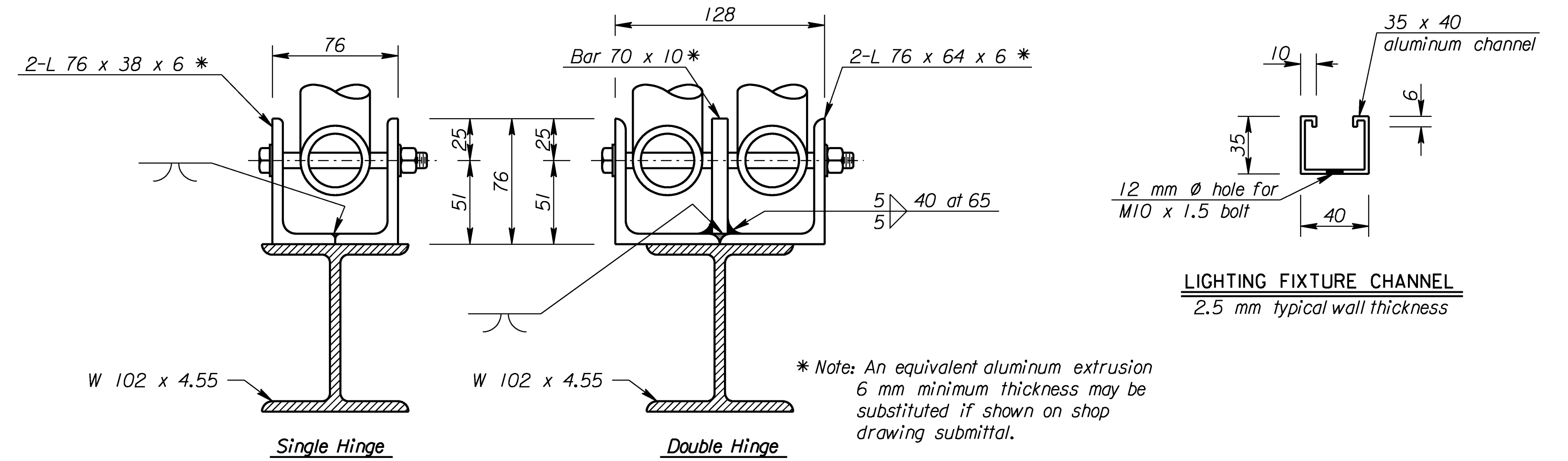
**ALUMINUM HANDRAIL**



**EXTERIOR GRATE CONNECTION DETAILS**

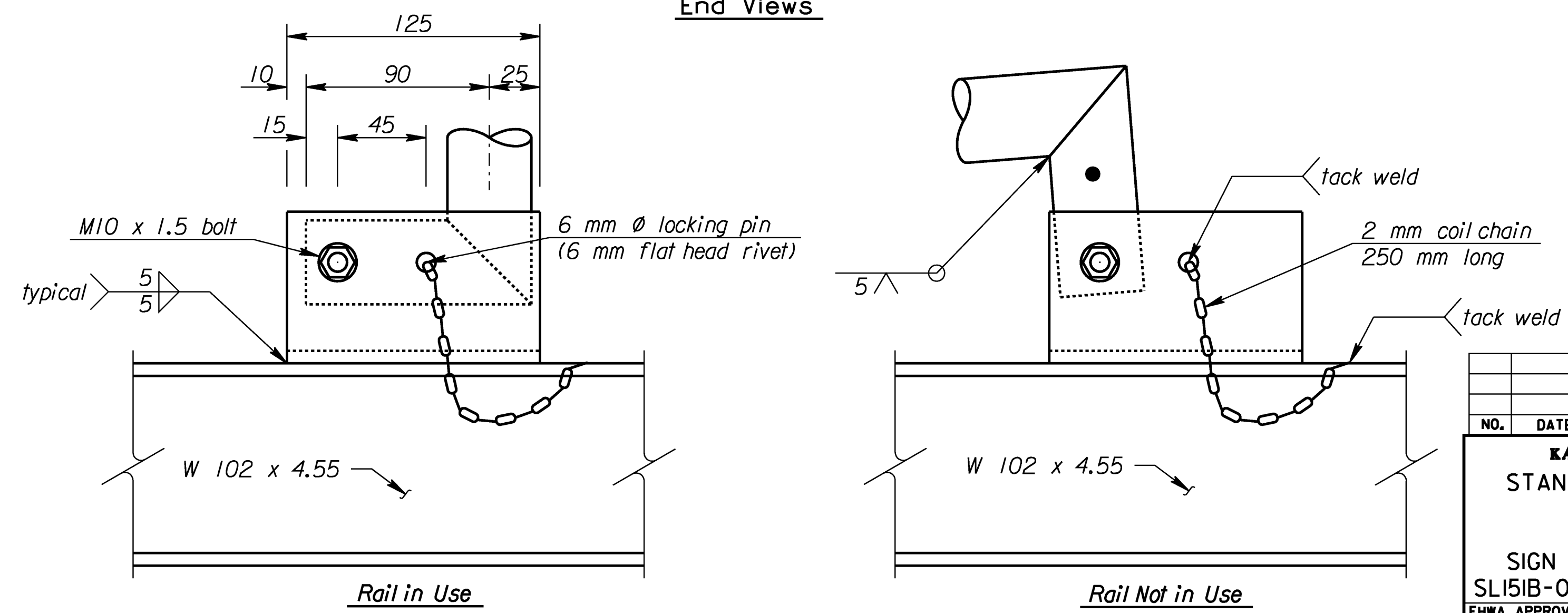


**INTERIOR GRATE CONNECTION DETAILS**



**End Views**

**LIGHTING FIXTURE CHANNEL**  
2.5 mm typical wall thickness



**HANDRAIL CONNECTIONS**

Std. Base File: sl15bsi.dgn - Plot 9  
 Plotted By: bond  
 File: F:\Working\825801\SL\_Structures\SL-825801-15bsi.dgn  
 Plot Date: 6/29/2005

NO.	DATE	REVISIONS	BY	APP'D
<b>KANSAS DEPARTMENT OF TRANSPORTATION</b> <b>STANDARD STRUCTURAL SIGN SUPPORT</b> <b>SPAN TYPE OVERHEAD</b> <b>ALUMINUM ALTERNATE</b> <b>SIGN MOUNTING AND WALKWAY DETAILS</b> <b>SL15IB-09 SI</b>				
			<b>SEDGWICK CO</b>	
FHWA APPROVAL		4-10-97	APP'D Kenneth F. Hurst	
DESIGNED	BFM	DETAILED	JD/RH	QUANTITIES
DESIGN CK.	KFH	DETAIL CK.	KFH	QUAN. CK.
			CADD	DJE
			CADD	LES