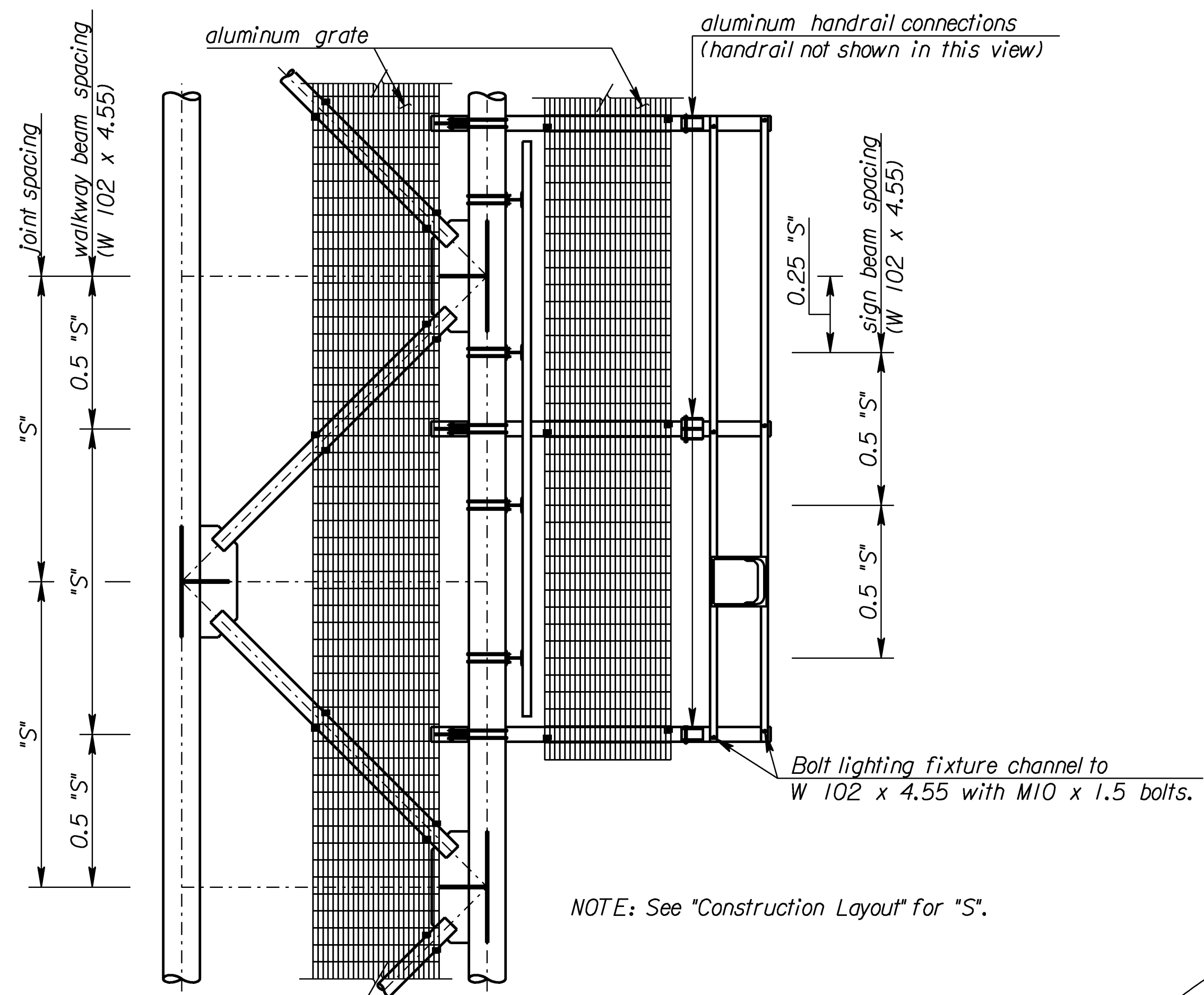
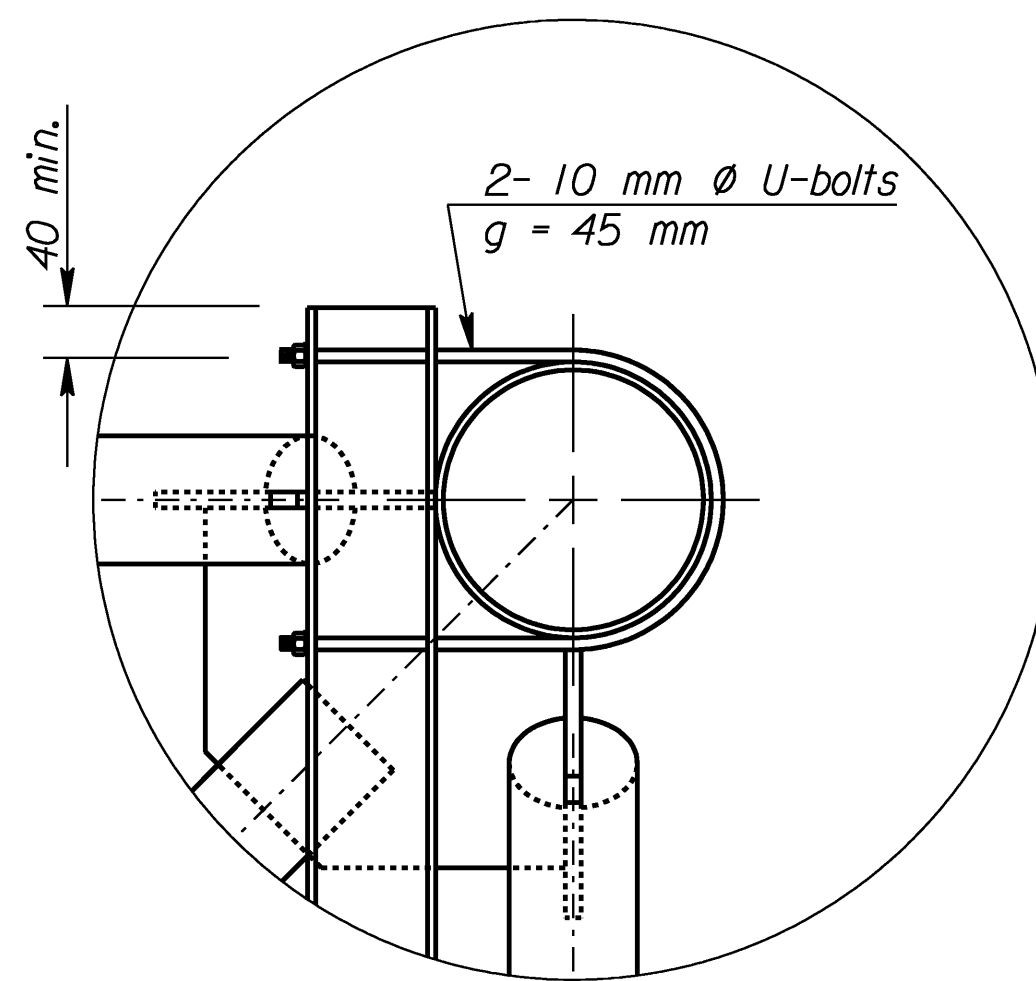


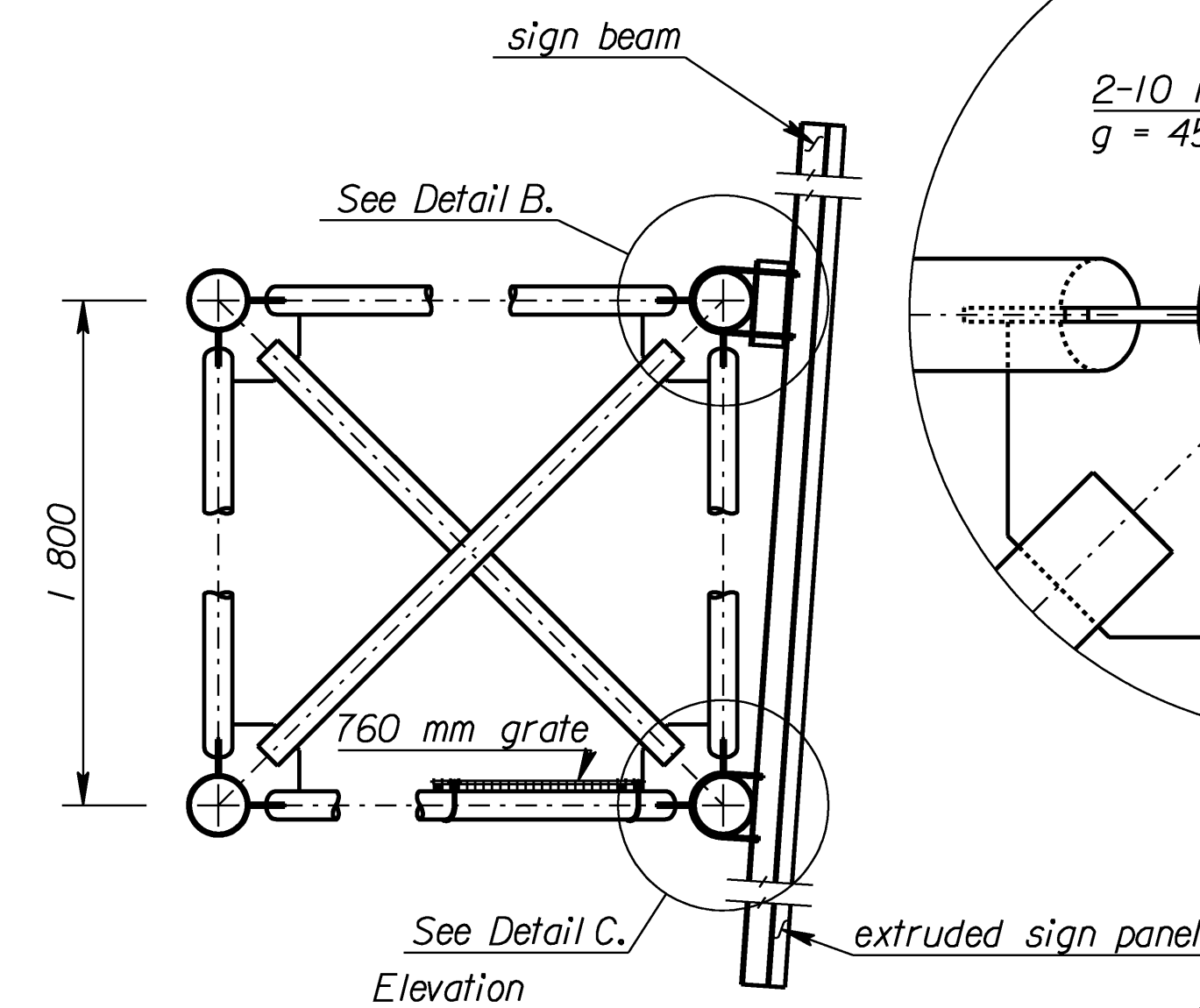
STATE	PROJECT NO.	YEAR	SHEET NO.	TOTAL SHEETS
KANSAS	54-87 K-8258-01	2005	185	223



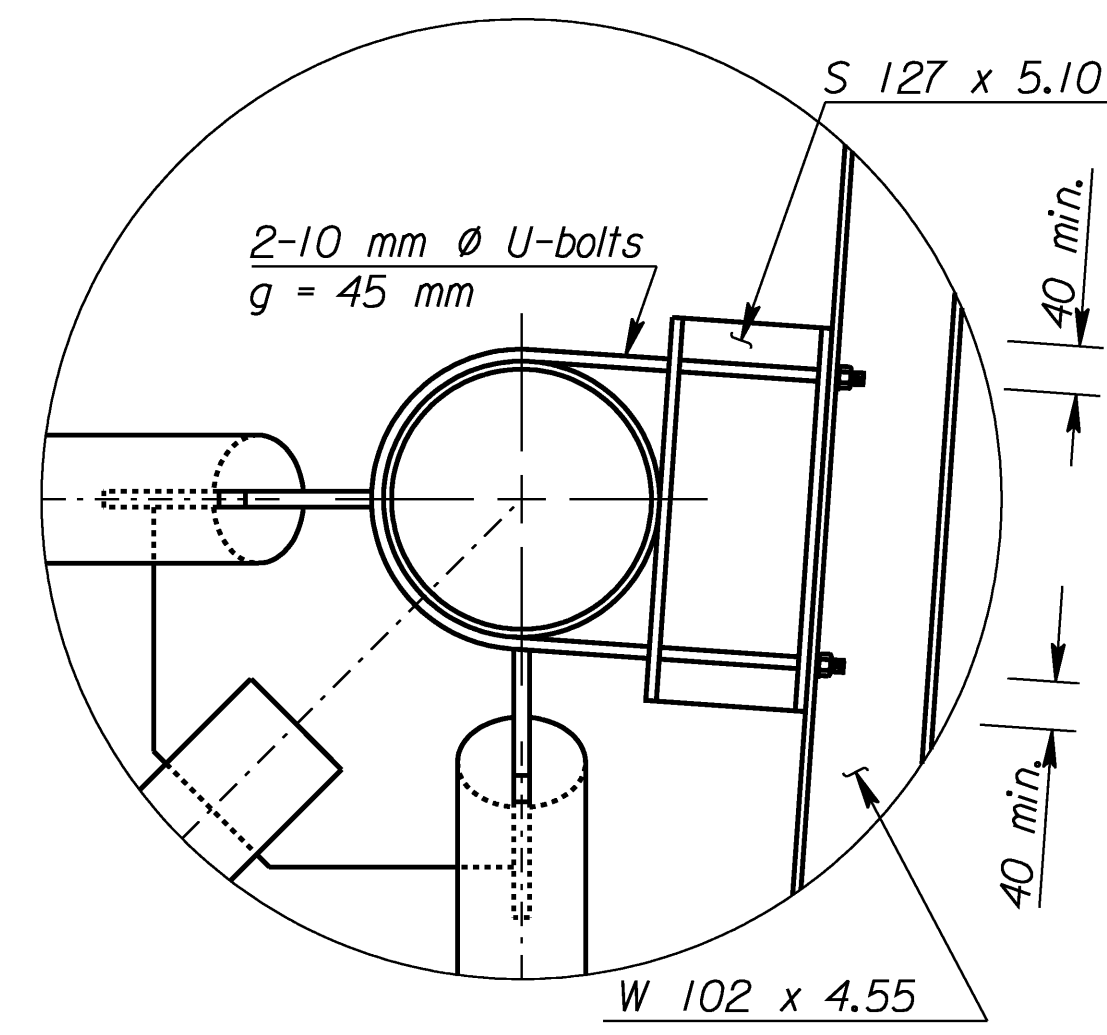
NOTE: See "Construction Layout" for "S".



Detail A

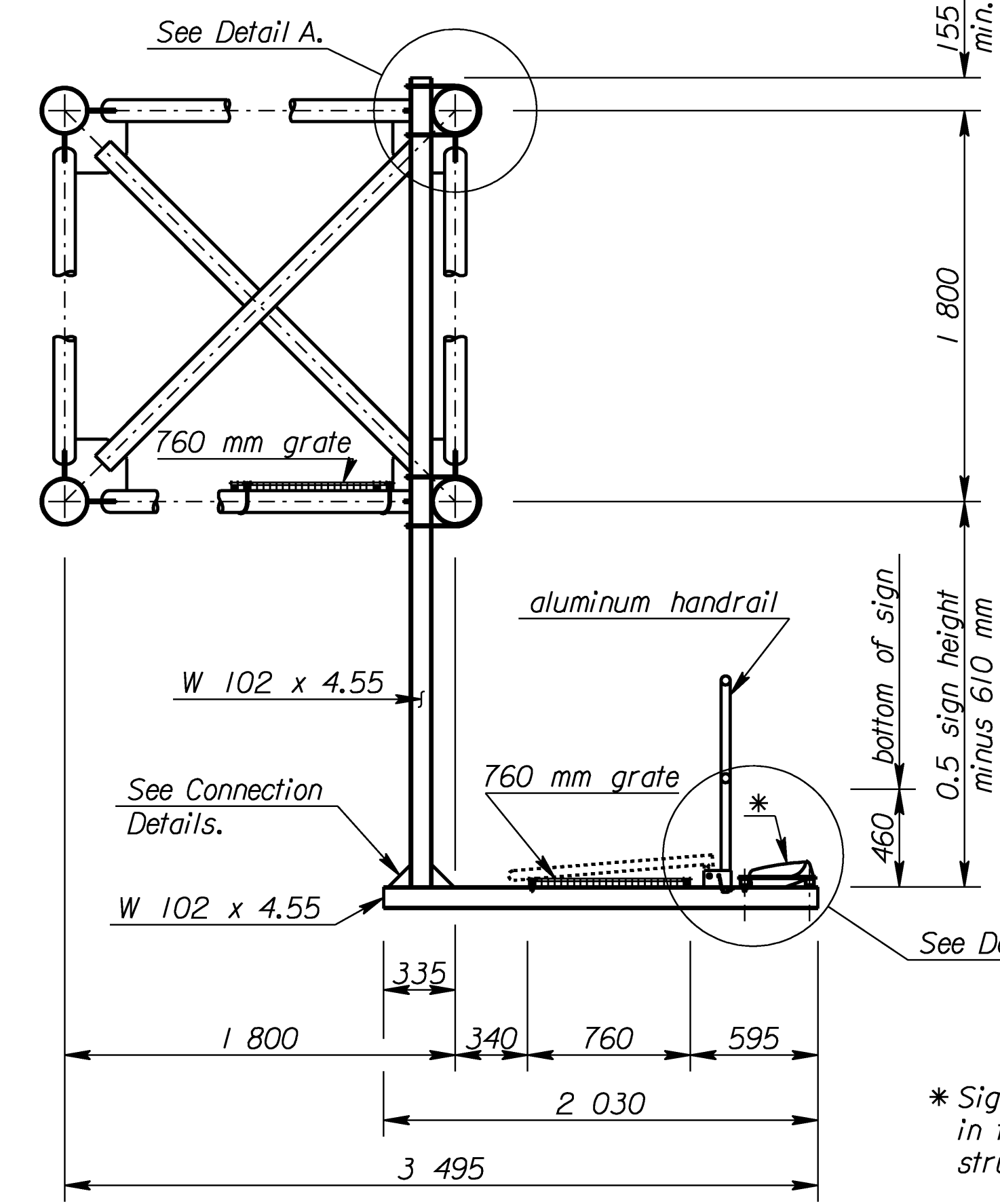


SIGN BEAM CONNECTION

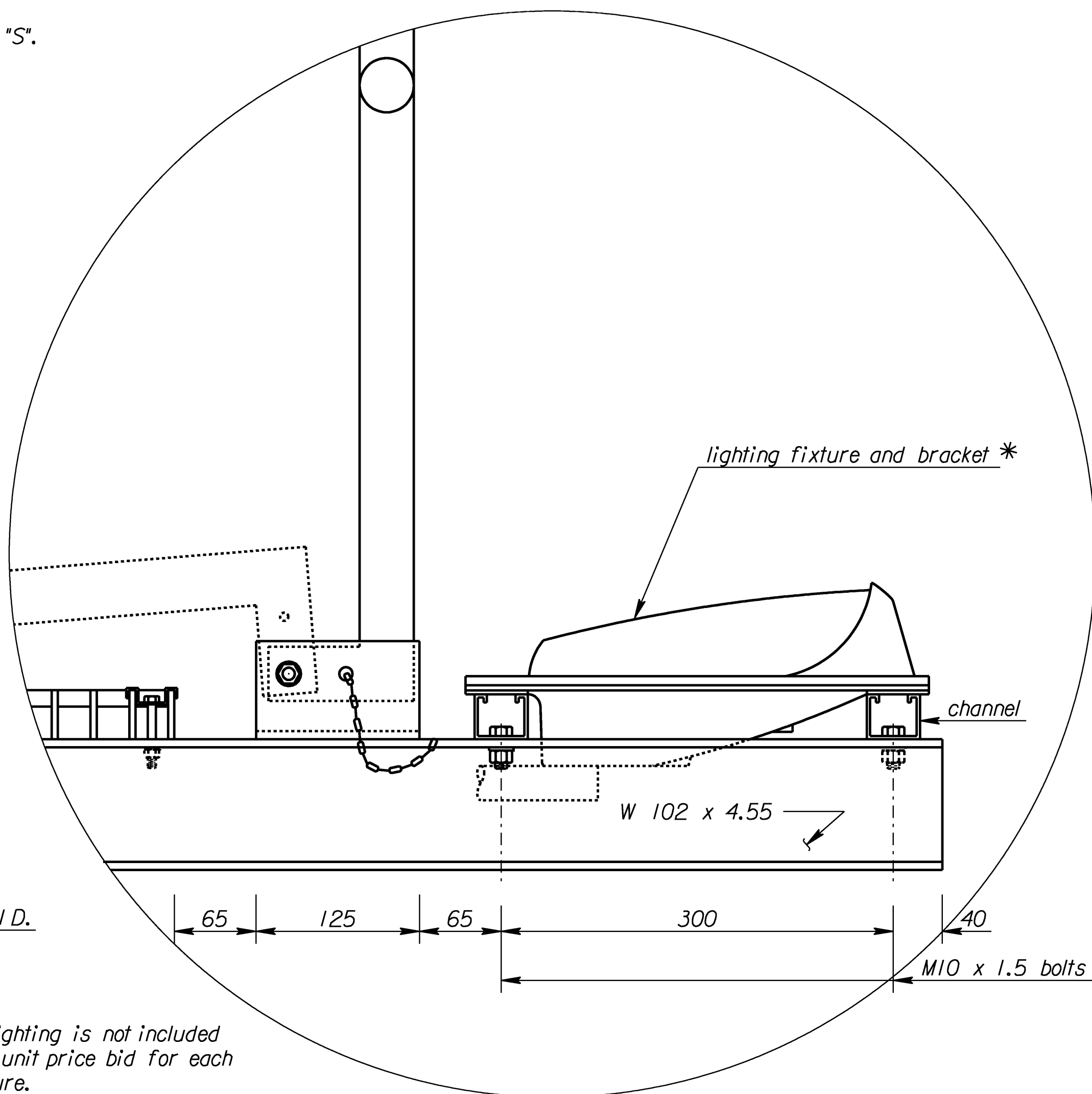


Detail B

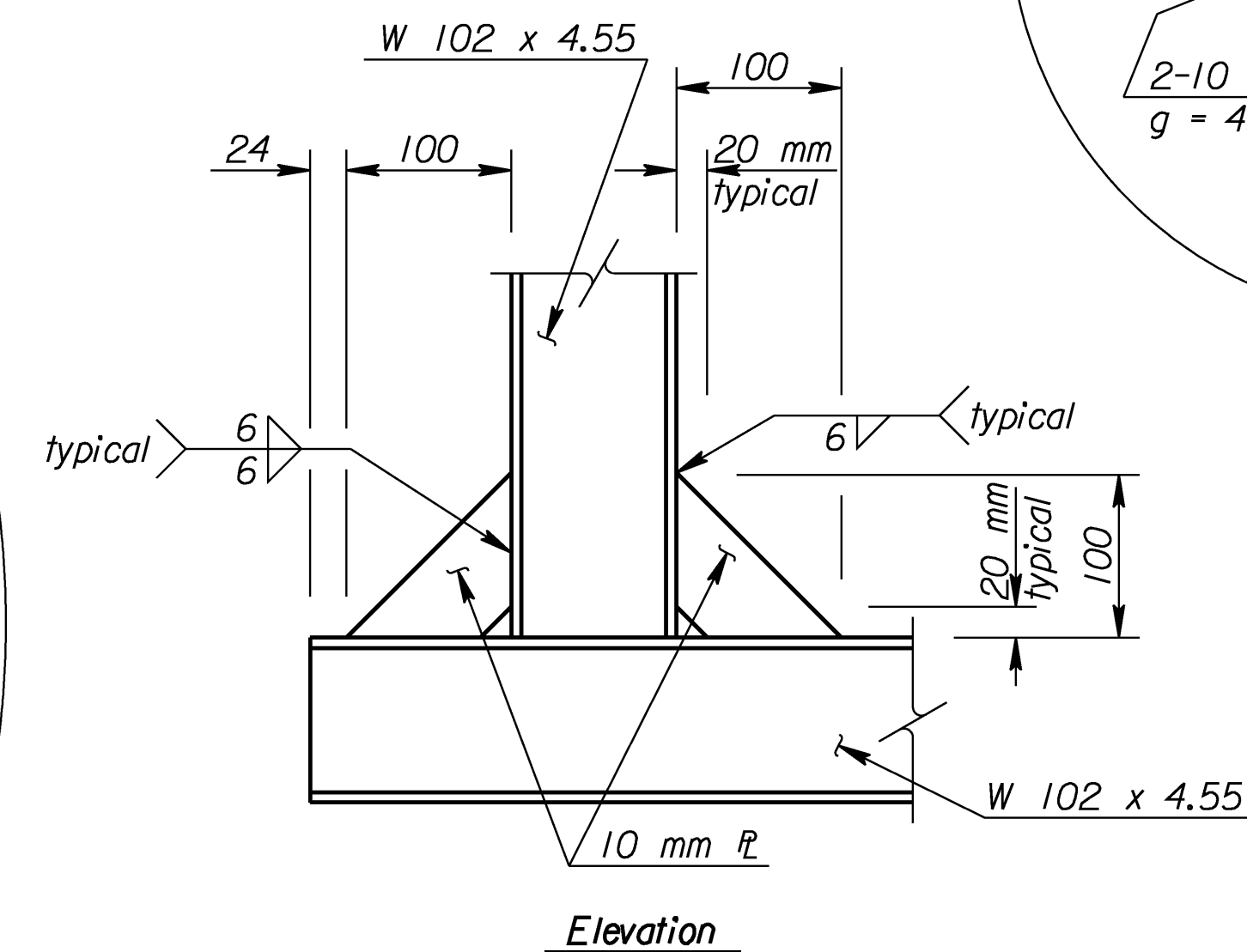
PLAN  
(Only lower truss members shown)



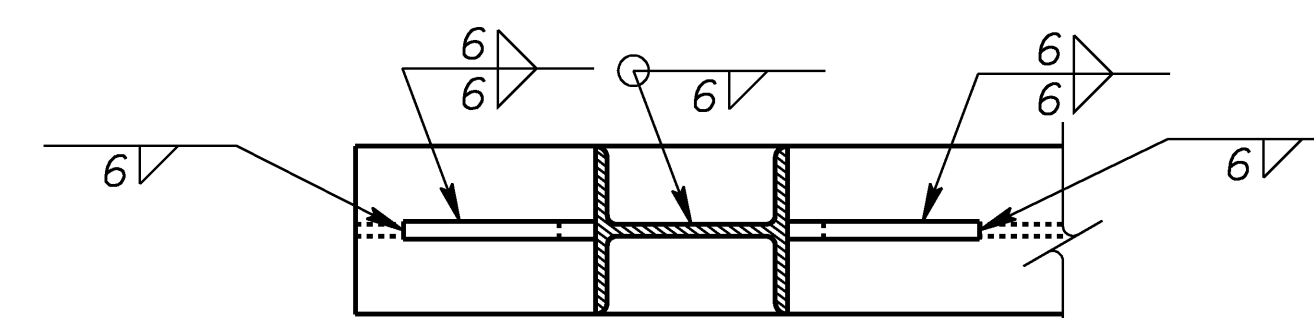
WALKWAY BEAM CONNECTION



Detail D

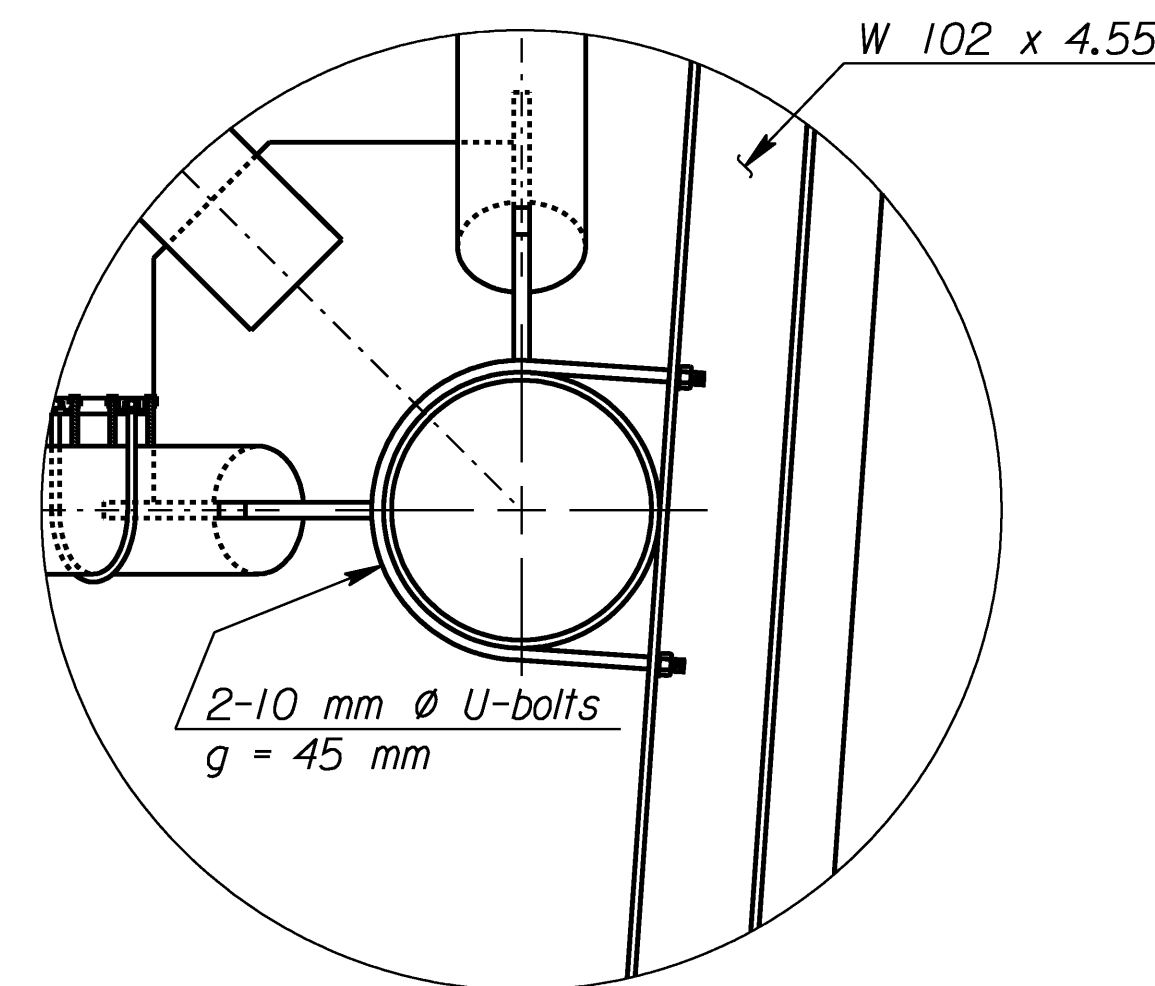


Elevation



Plan

CONNECTION DETAILS



Detail C

Std. Base File: sl15bsi.dgn - Plot 10  
Plotted By: bond  
File: F:\Working\82580\SL\_Structures\SL-825801-15bsi.dgn  
Plot Date: 6/29/2005

NO.	DATE	REVISIONS	BY	APP'D
<b>KANSAS DEPARTMENT OF TRANSPORTATION</b> <b>STANDARD STRUCTURAL SIGN SUPPORTS</b> <b>SPAN TYPE OVERHEAD</b> <b>ALUMINUM ALTERNATE</b> <b>SPECIAL SIGN MOUNTING AND WALKWAY DETAILS</b> <b>SL15IB-10 SI</b>				
FHWA APPROVAL		4-10-97	APP'D	Kenneth F. Hurst
DESIGNED	LES	DETAILED	ERK	QUANTITIES
DESIGN CK.	BR	DETAIL CK.	BR	QUAN. CK.
			CADD	DJE
			CADD	LES