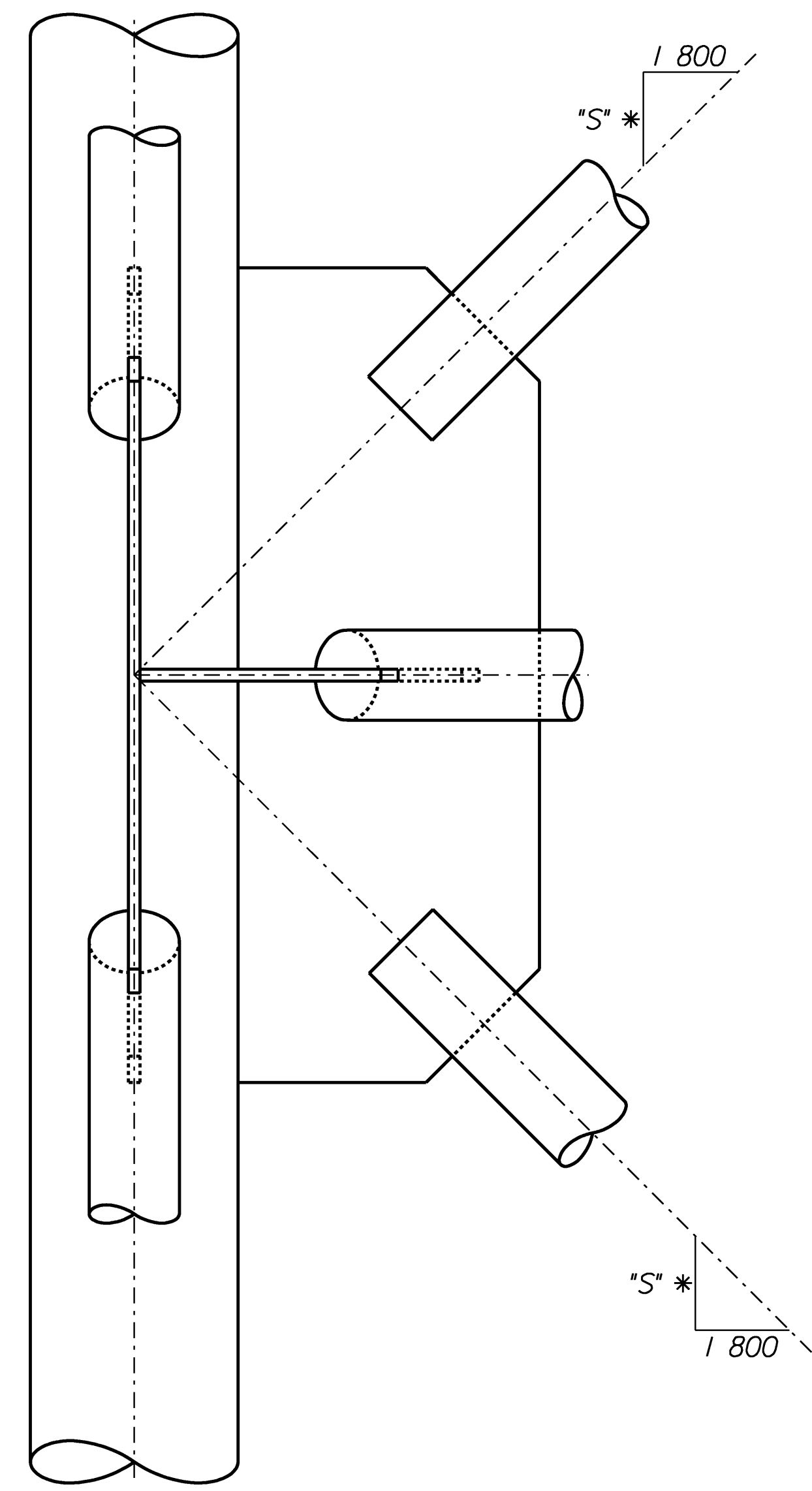
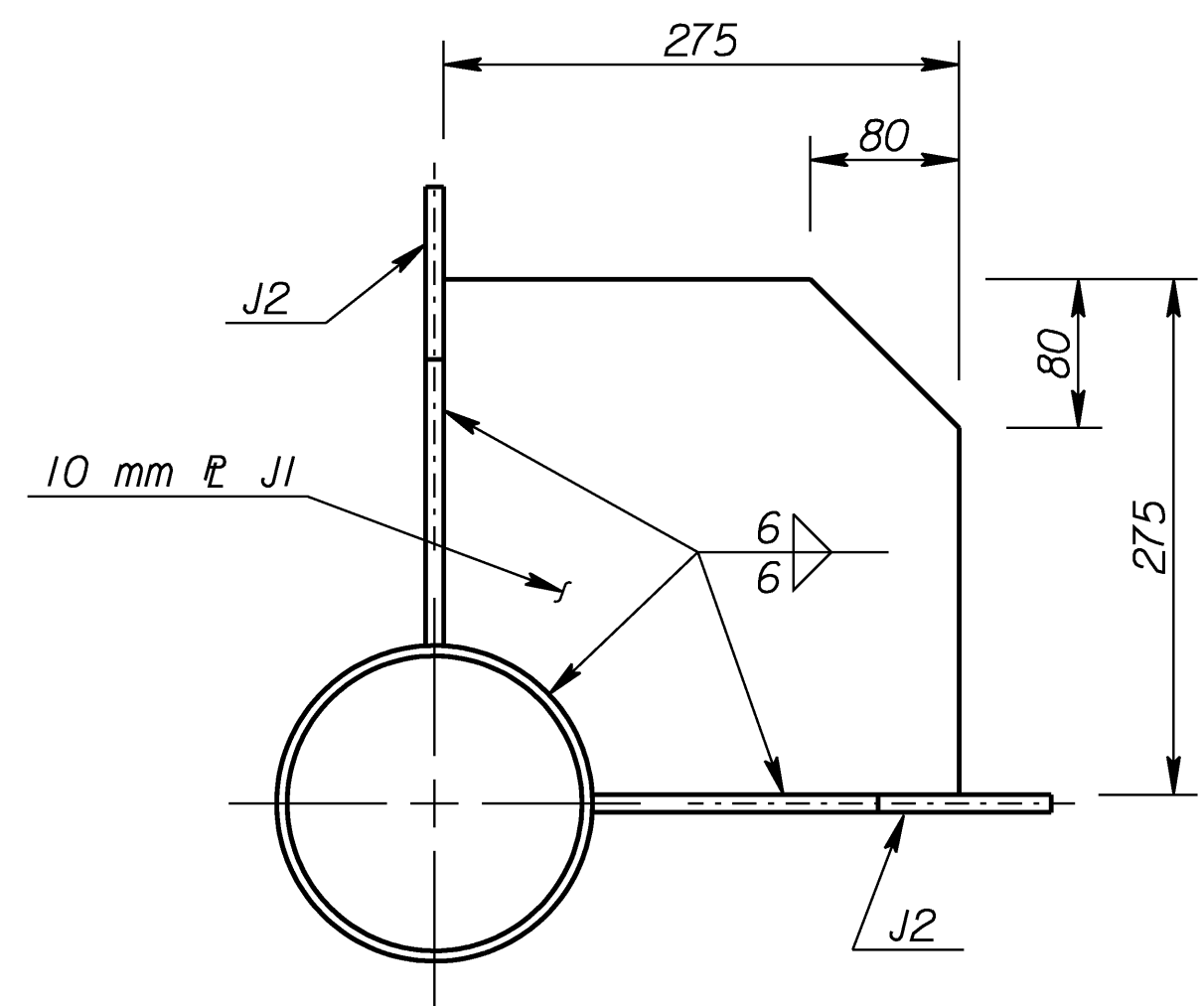


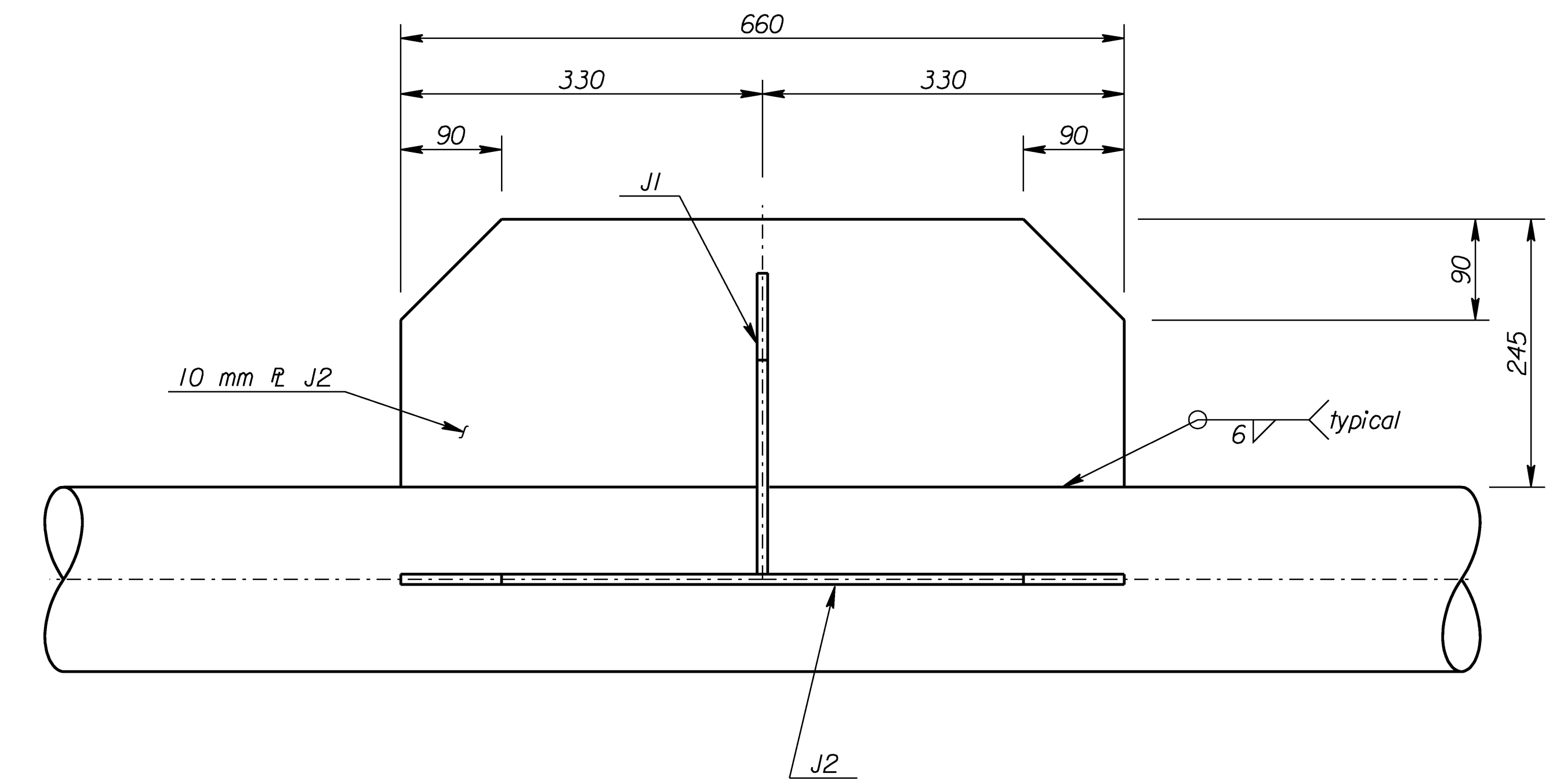
STATE	PROJECT NO.	YEAR	SHEET NO.	TOTAL SHEETS
KANSAS	54-87 K-8258-01	2005	190	223



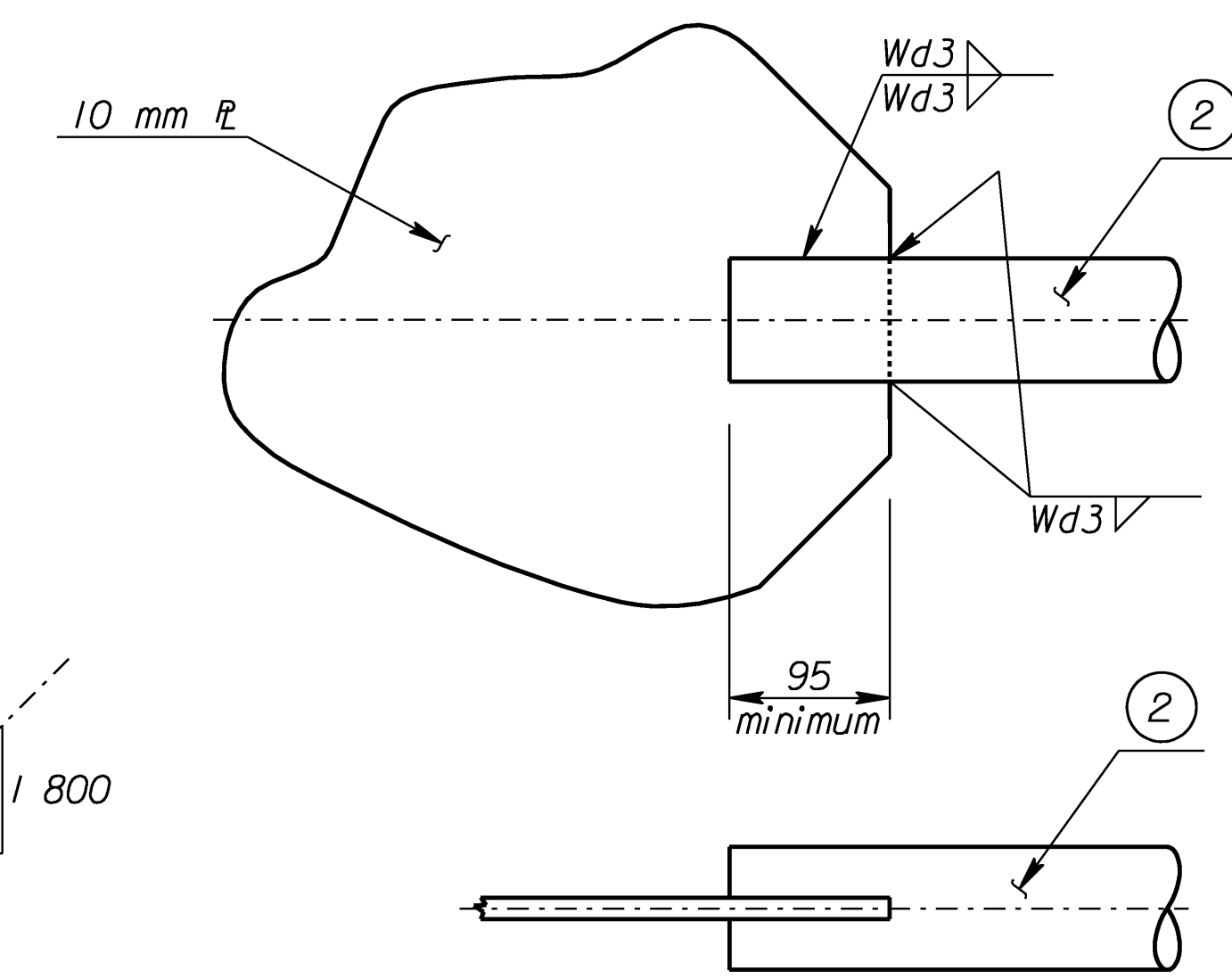
PLAN AT JOINT



DETAILS R J1



DETAILS R J2

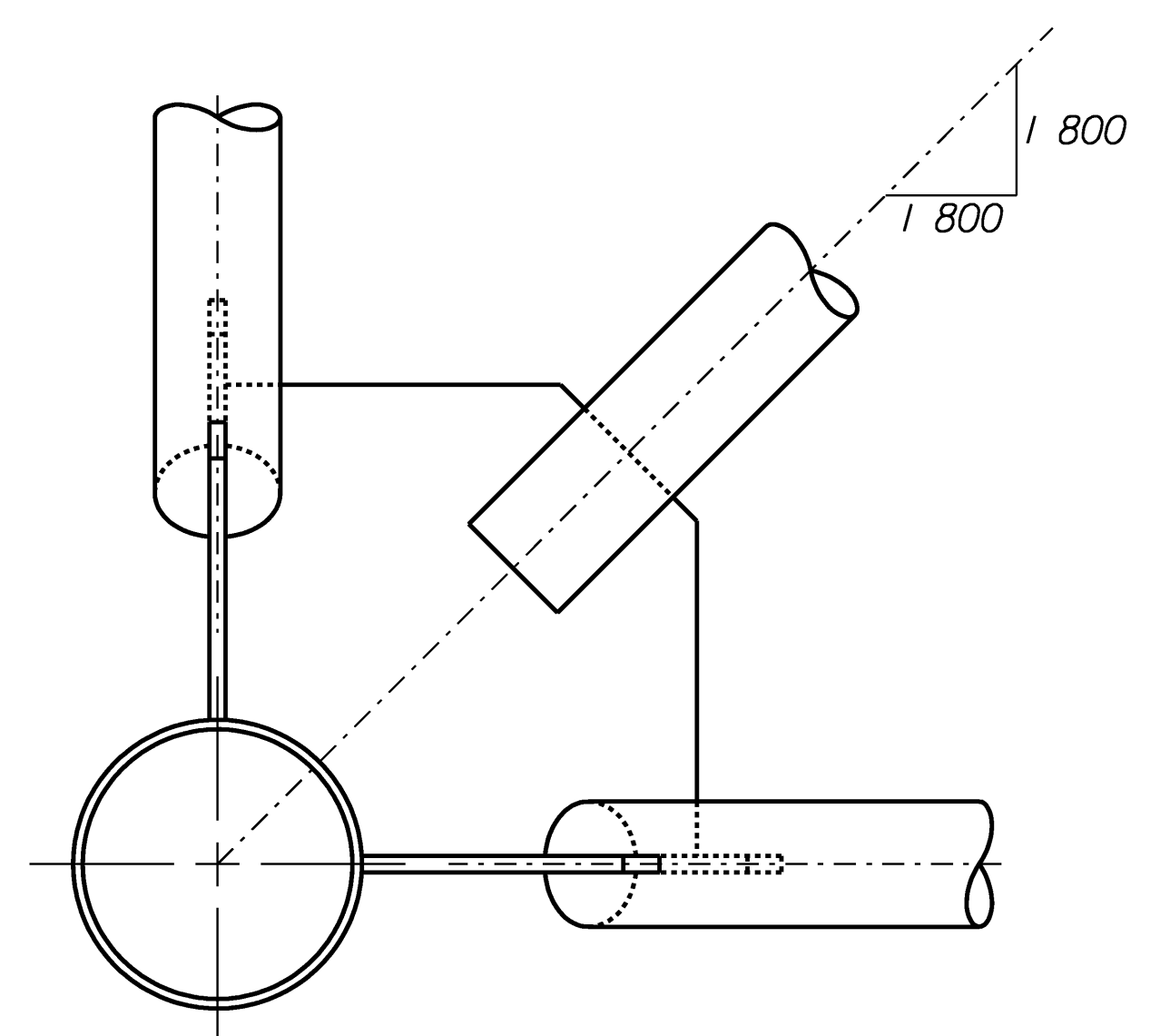


TYPICAL WELDED JOINT

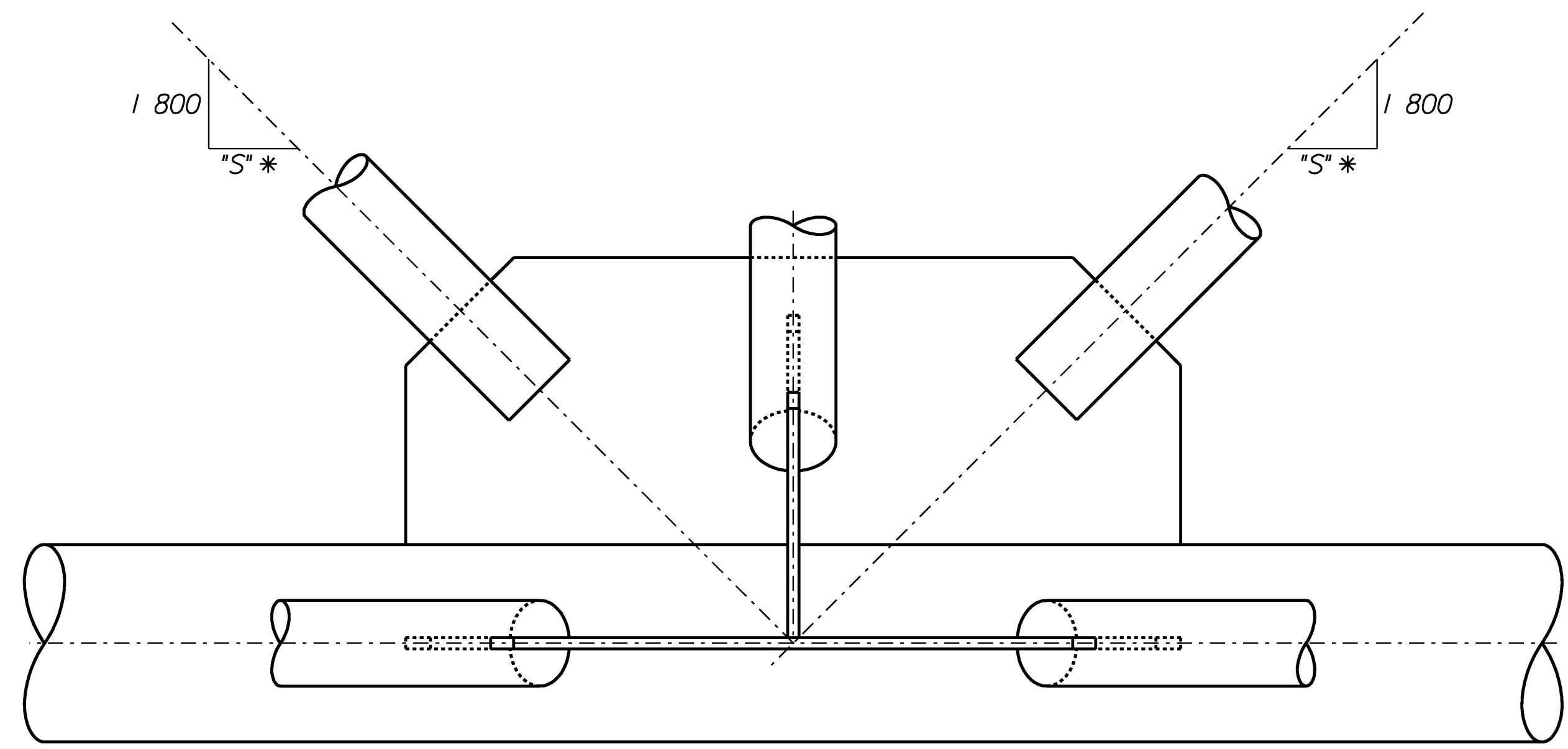
Note: Welded and bolted options may be mixed for a given truss or at a given joint.

Member ② * wall thickness	Fillet Weld size Wd3
3.05	5
5.16	
7.01	

* See "Construction Layout" for wall thickness and "S"



SECTION NEAR JOINT



ELEVATION AT JOINT

TYPICAL DETAILS

Std. Base File: sl151csi.dgn - Plot 5
 Plotted By: bond
 File: F:\Working\825801\SL Structures\SL-825801-151csi.dgn
 Plot Date: 6/29/2005

NO.	DATE	REVISIONS	BY	APP'D

KANSAS DEPARTMENT OF TRANSPORTATION
STANDARD STRUCTURAL SIGN SUPPORTS
SPAN TYPE OVERHEAD
STEEL ALTERNATE
TRUSS JOINT DETAILS (WELDED OPTION)
SL151C-05 SI **SEDGWICK CO**

DESIGNED	BFM	DETAILED	KFH	QUANTITIES	CADD	DJE
DESIGN CK.	RDH	DETAIL CK.	RDH	QUAN. CK.	CADD CK.	LES

4-10-97 | APP'D Kenneth F. Hurst