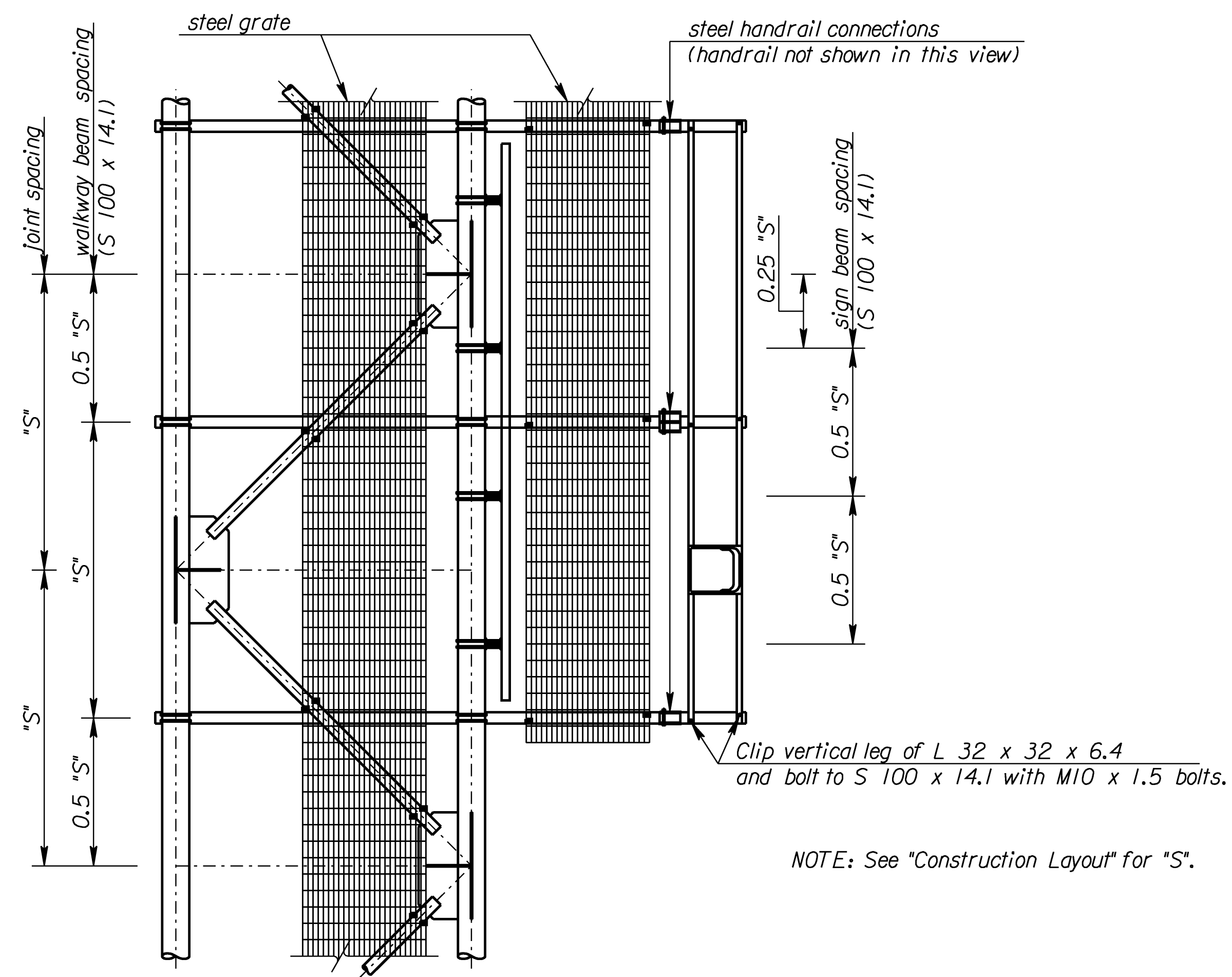
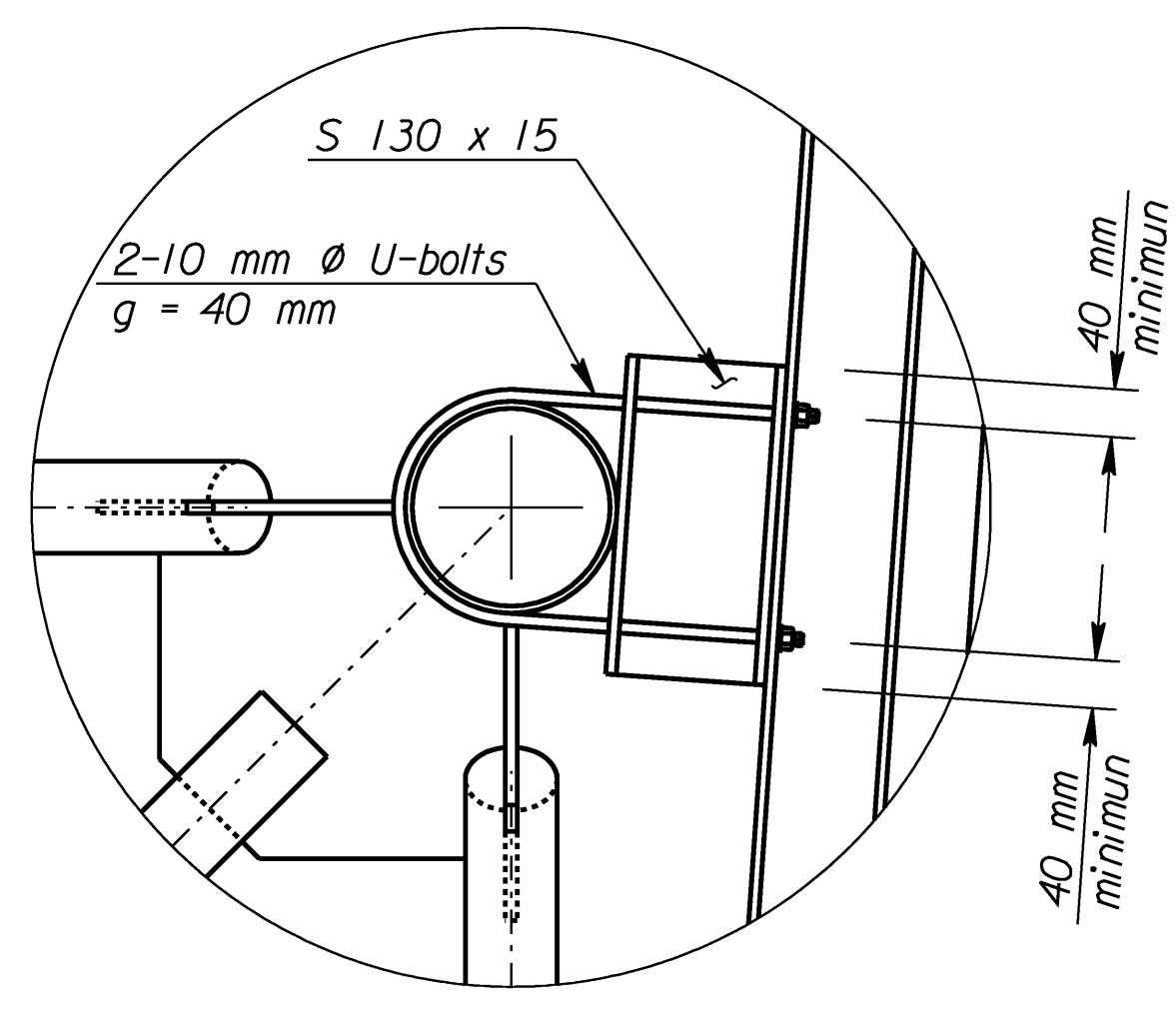


STATE	PROJECT NO.	YEAR	SHEET NO.	TOTAL SHEETS
KANSAS	54-87 K-8258-01	2005	194	223

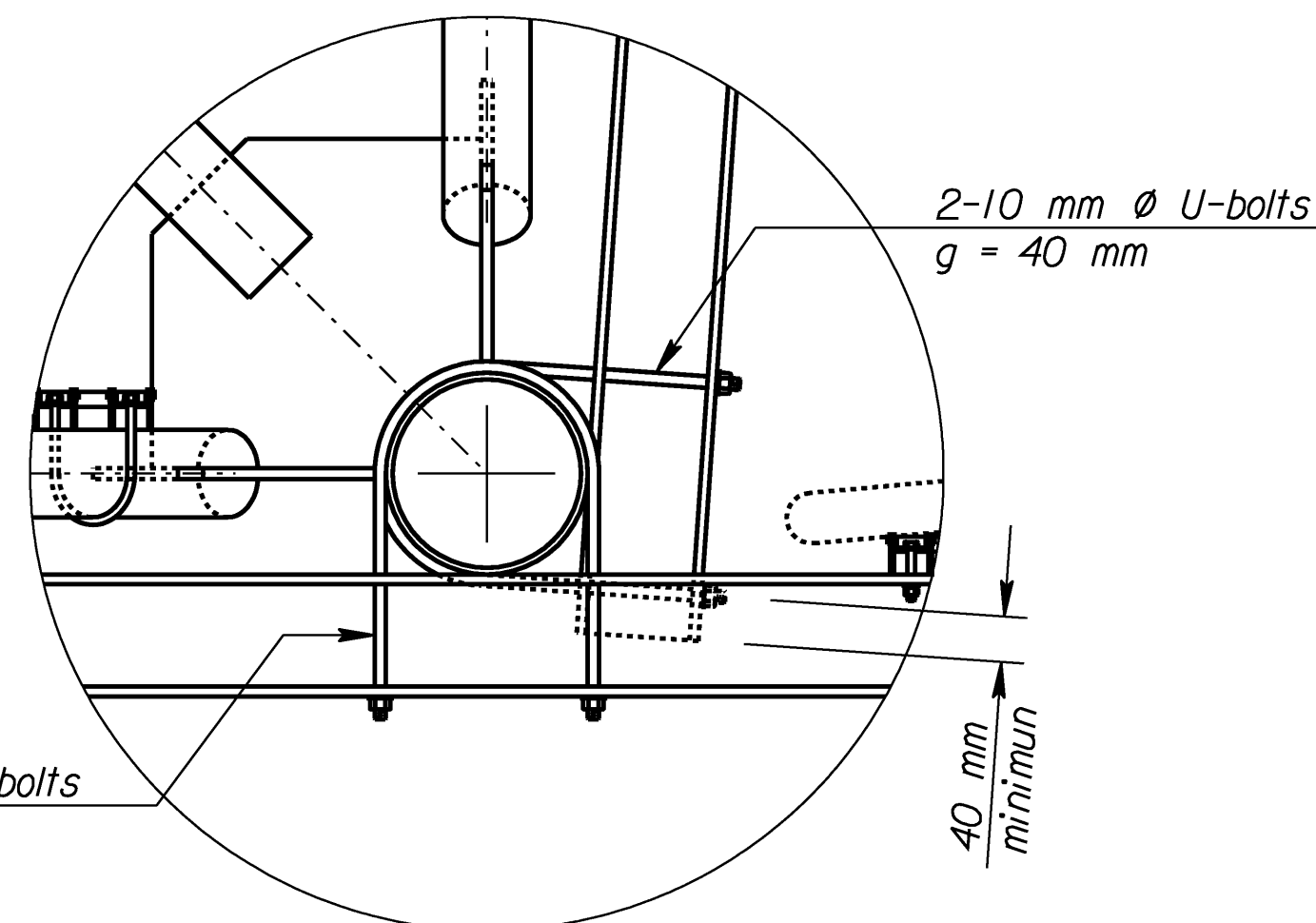


PLAN
(Only lower truss members shown.)

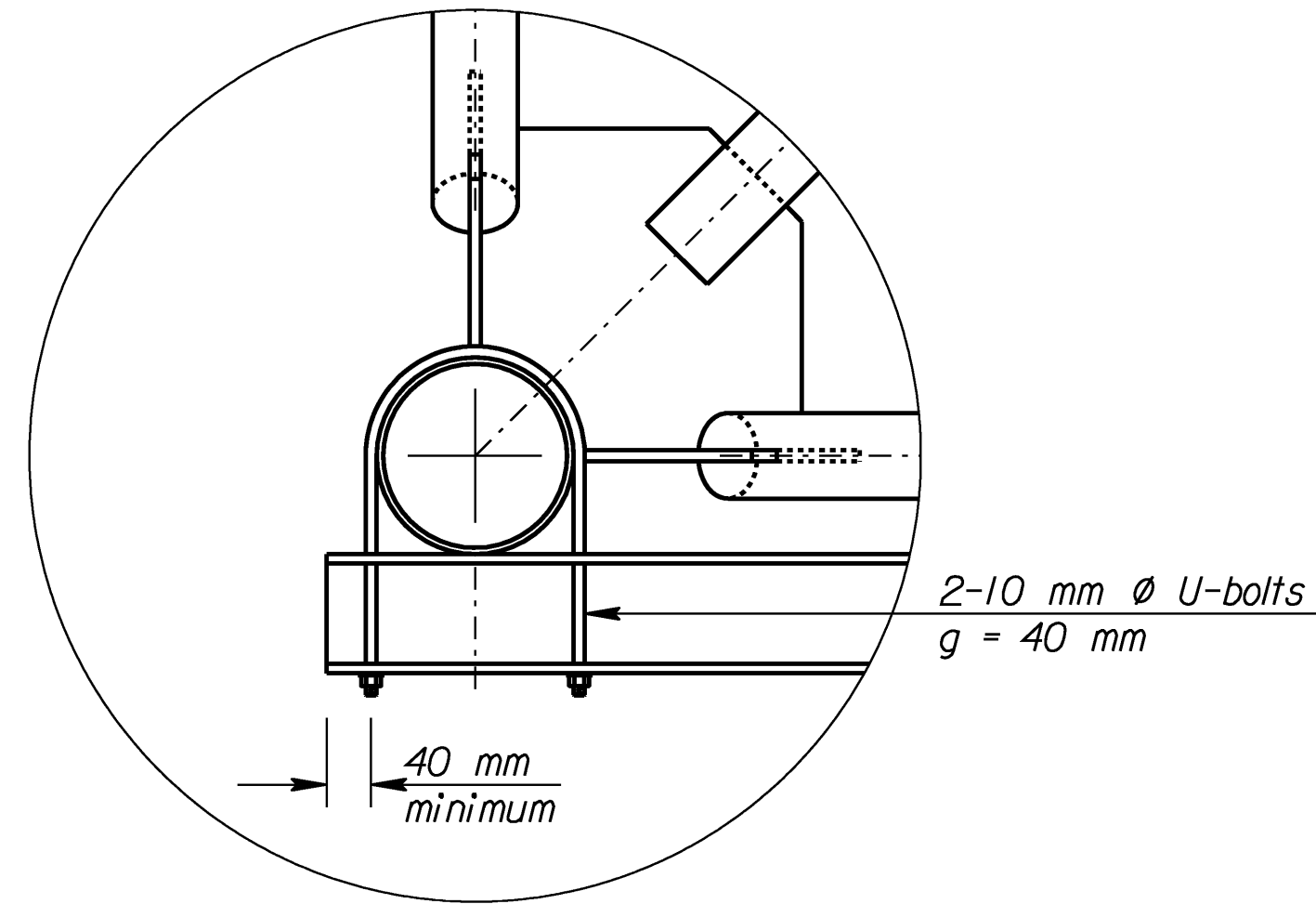
NOTE: See "Construction Layout" for "S".



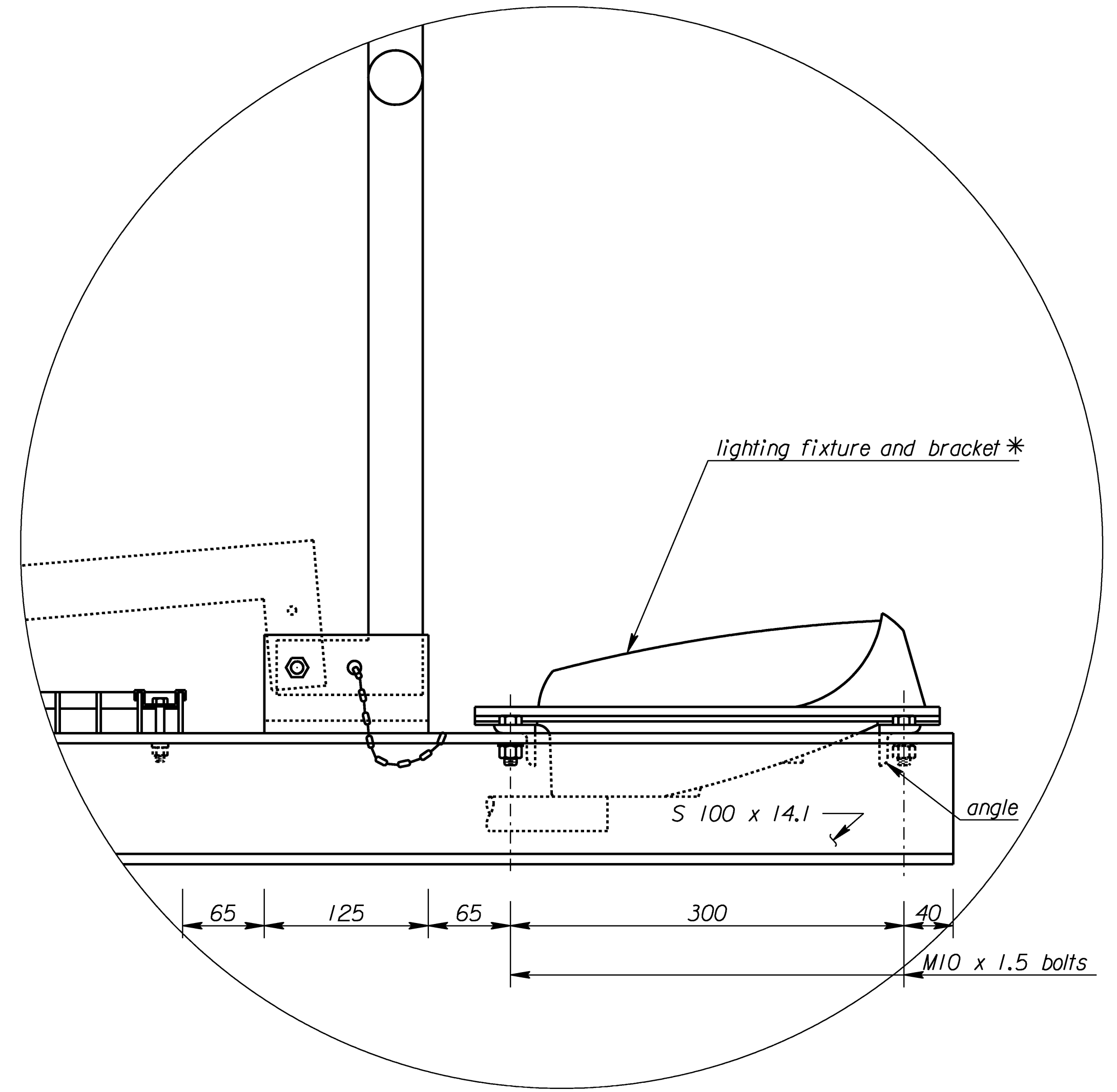
Detail A



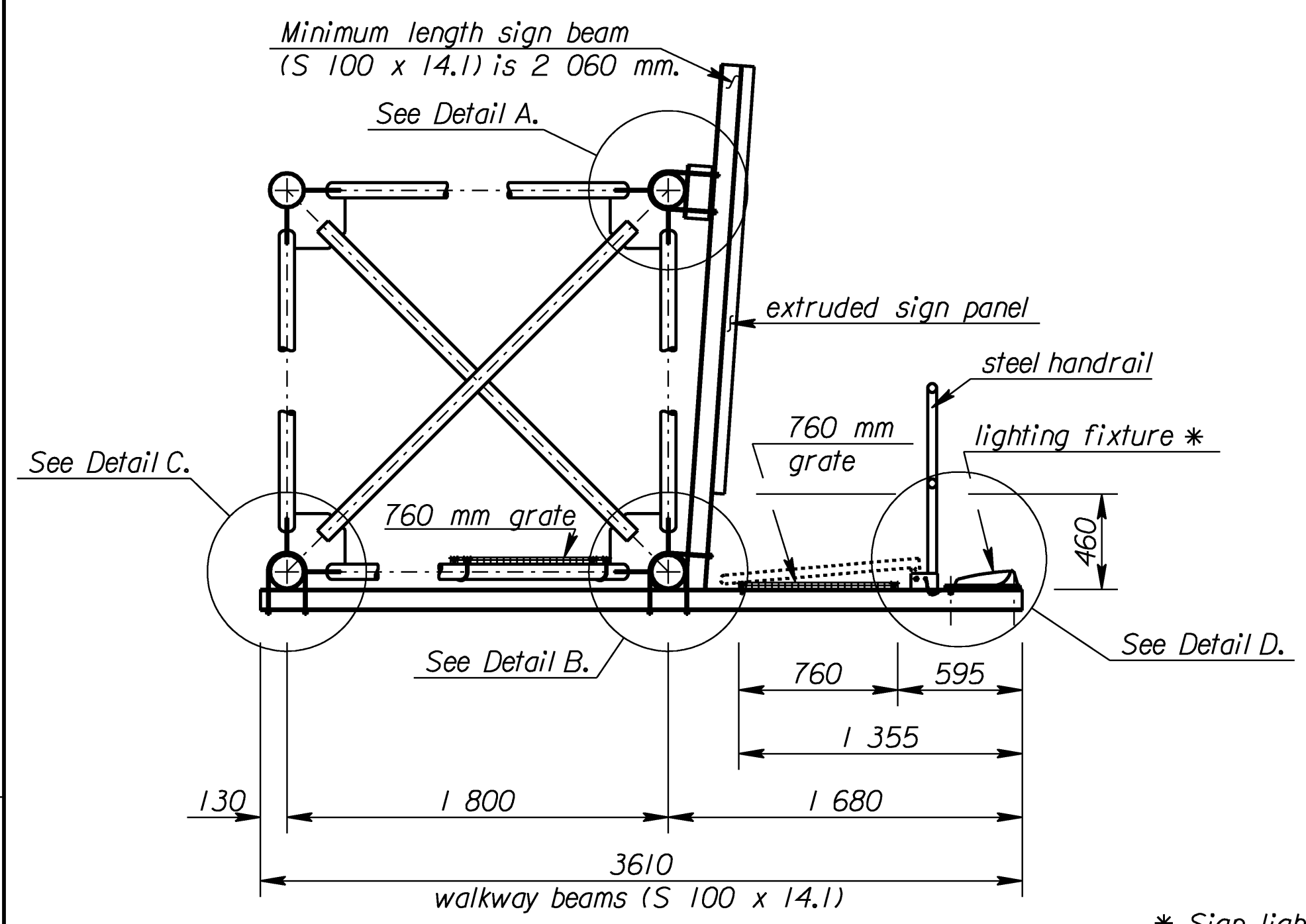
Detail B



Detail C



Detail D



ELEVATION

* Sign lighting is not included
in the unit price bid for each
structure.

Std. Base File: sl15csi.dgn - Plot 9
Plotted By: bond
File: F:\Working\825801\SL_Structures\SL-825801-15\csi.dgn
Plot Date: 6/29/2005

NO.	DATE	REVISIONS	BY	APP'D
KANSAS DEPARTMENT OF TRANSPORTATION STANDARD STRUCTURAL SIGN SUPPORTS SPAN TYPE OVERHEAD STEEL ALTERNATE SIGN MOUNTING AND WALKWAY DETAILS SL15IC-09 SI				
FHWA APPROVAL		4-10-97	APP'D	Kenneth F. Hurst
DESIGNED	BFM	DETAILED	JD/RD	QUANTITIES
DESIGN CK.	KFH	DETAIL CK.	KFH	QUAN. CK.
				CADD
				LES