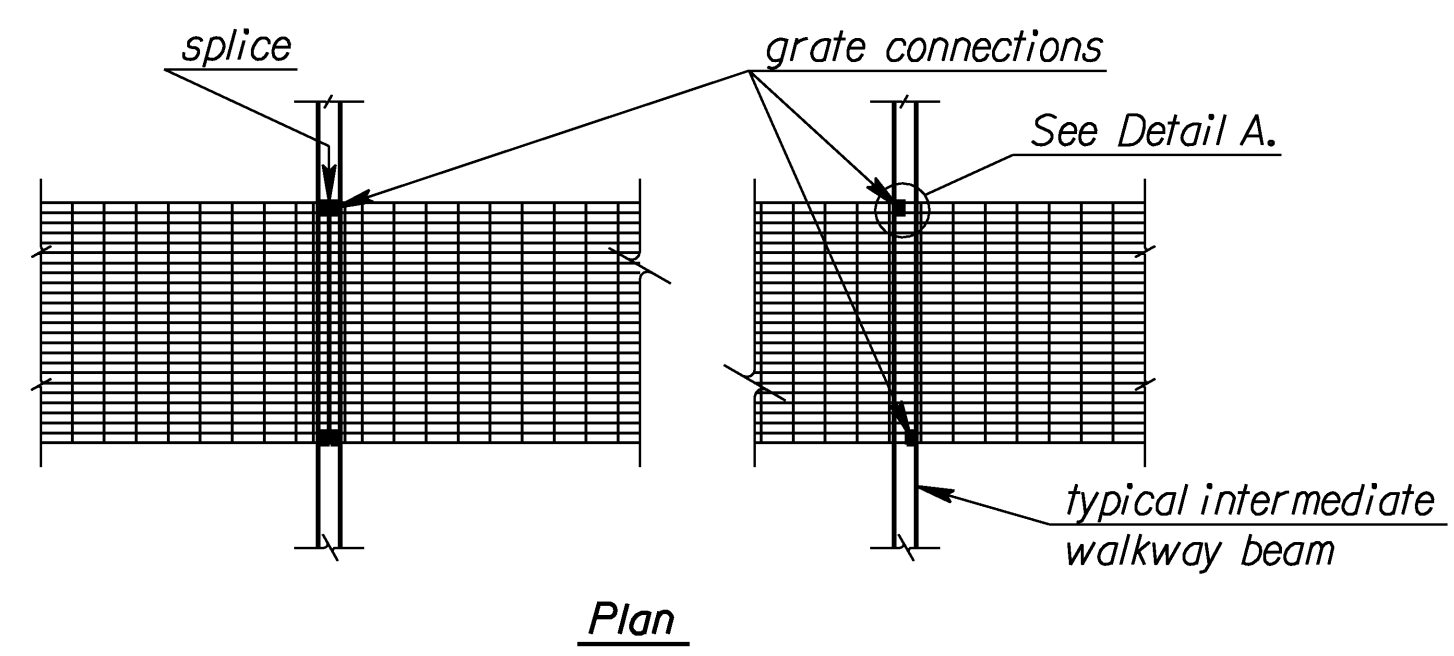
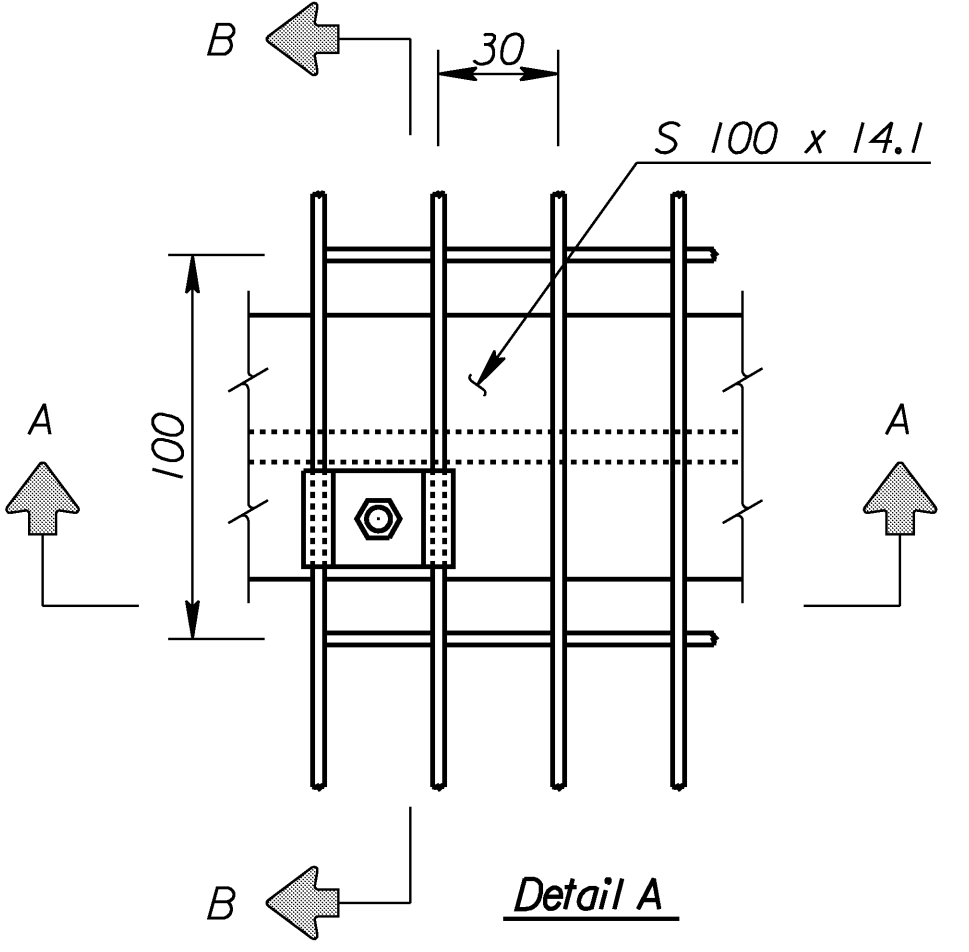
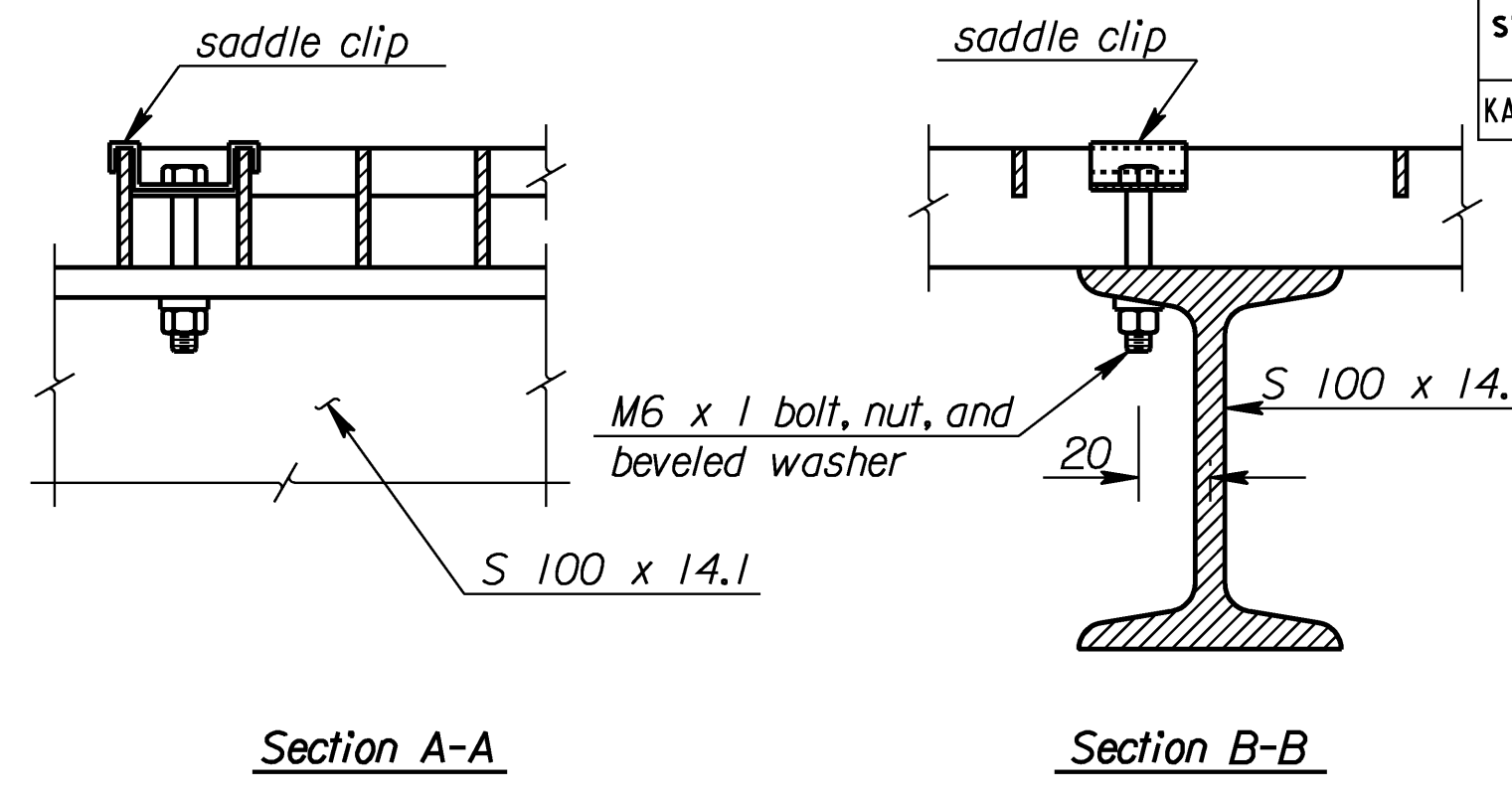
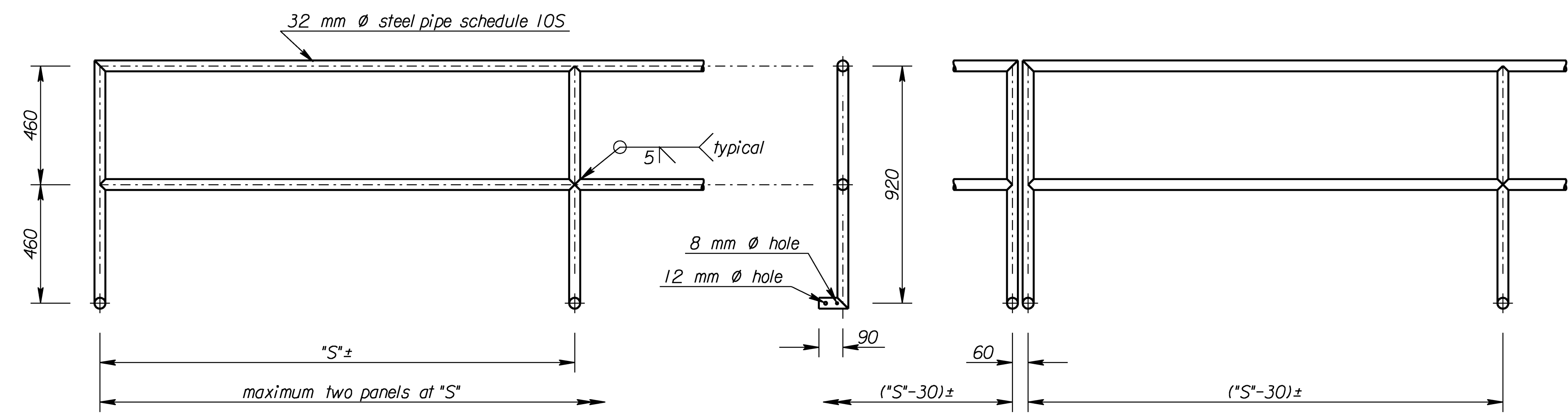
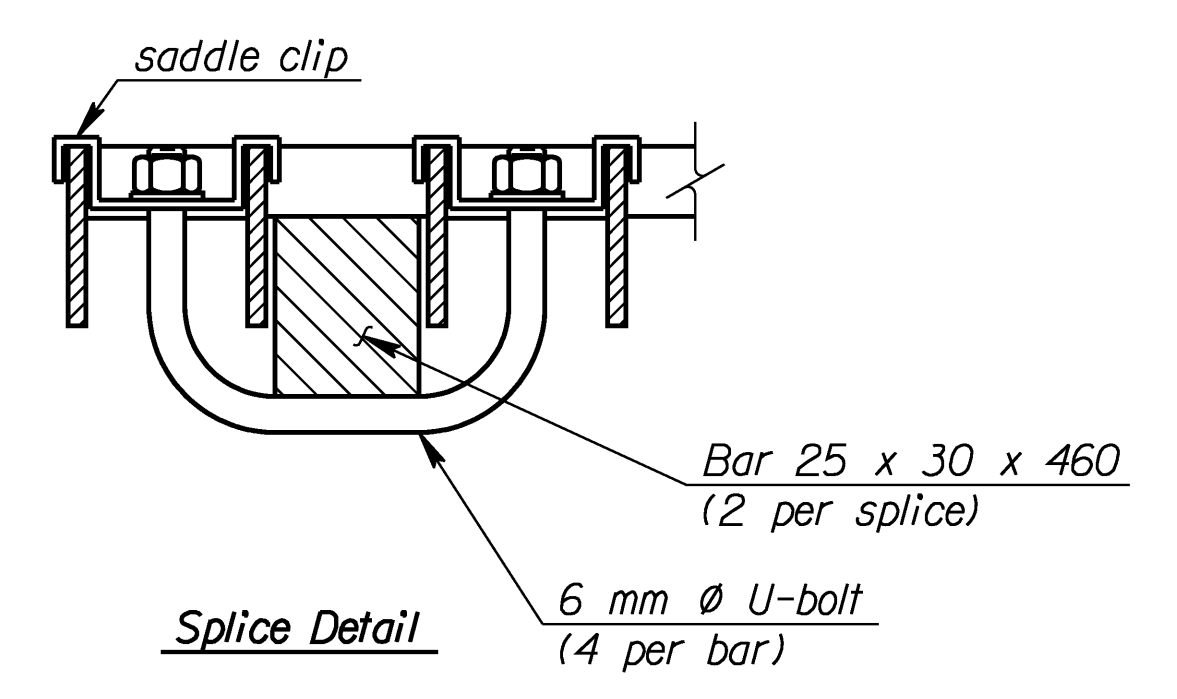
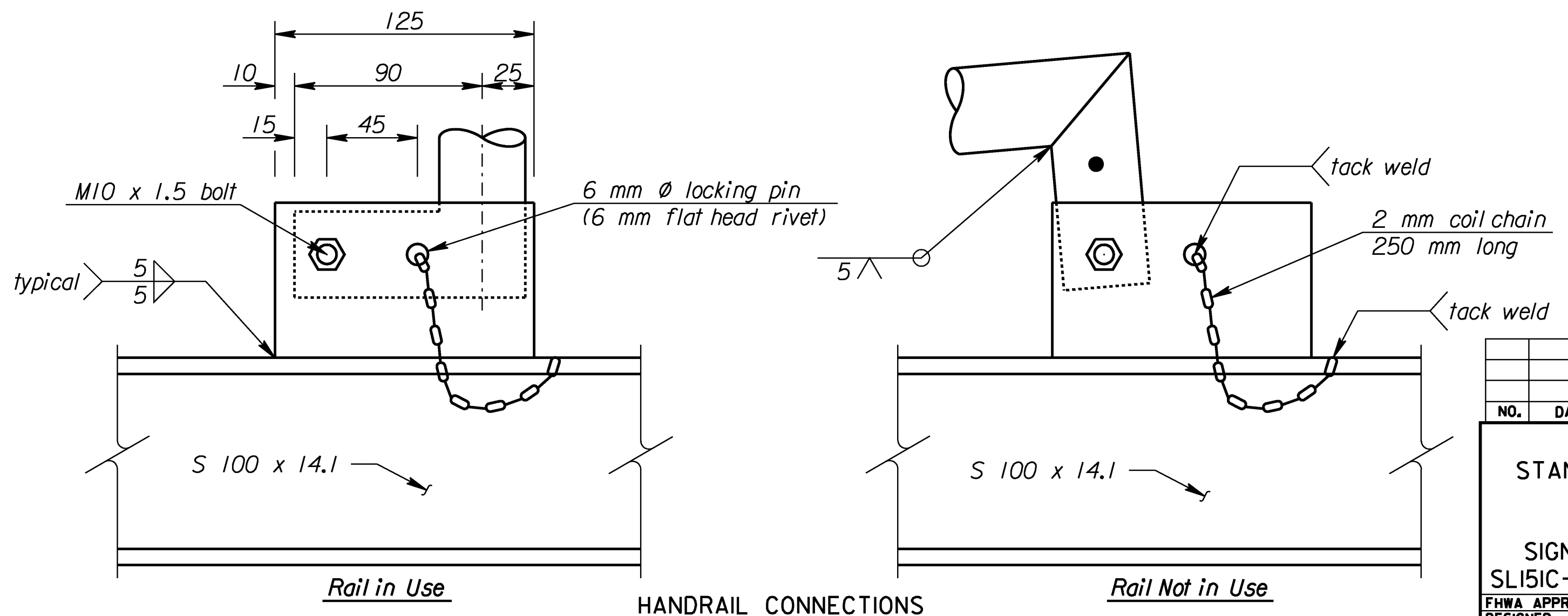
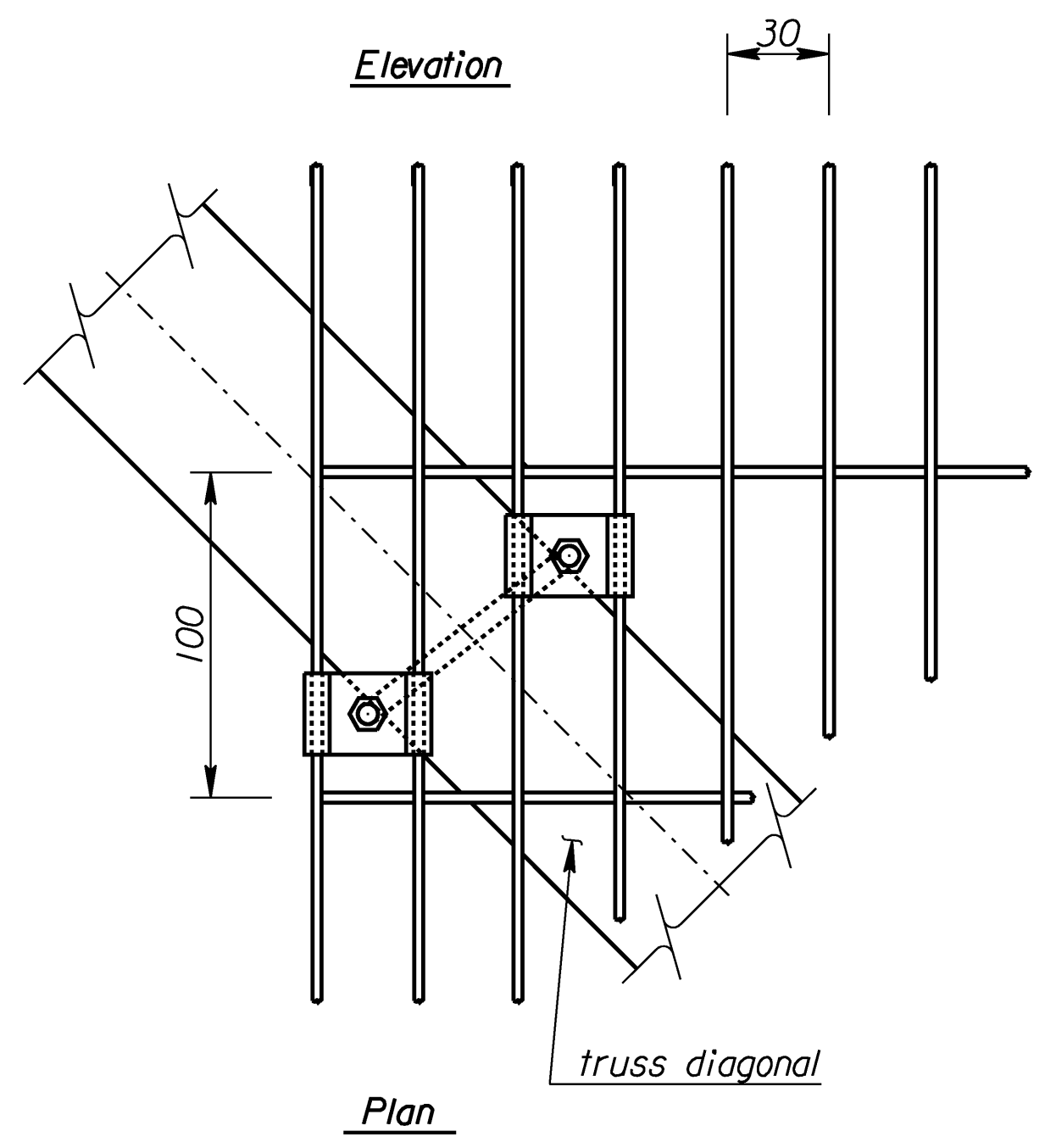
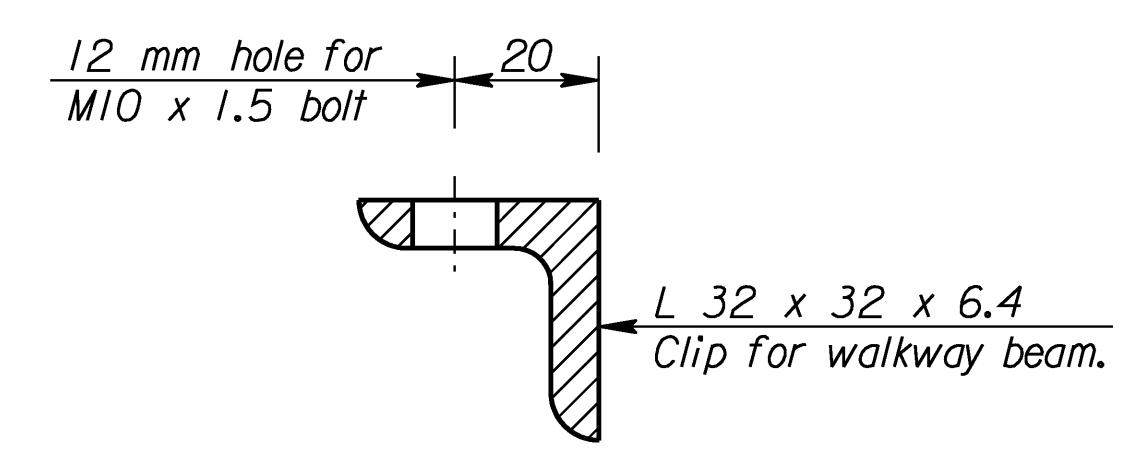
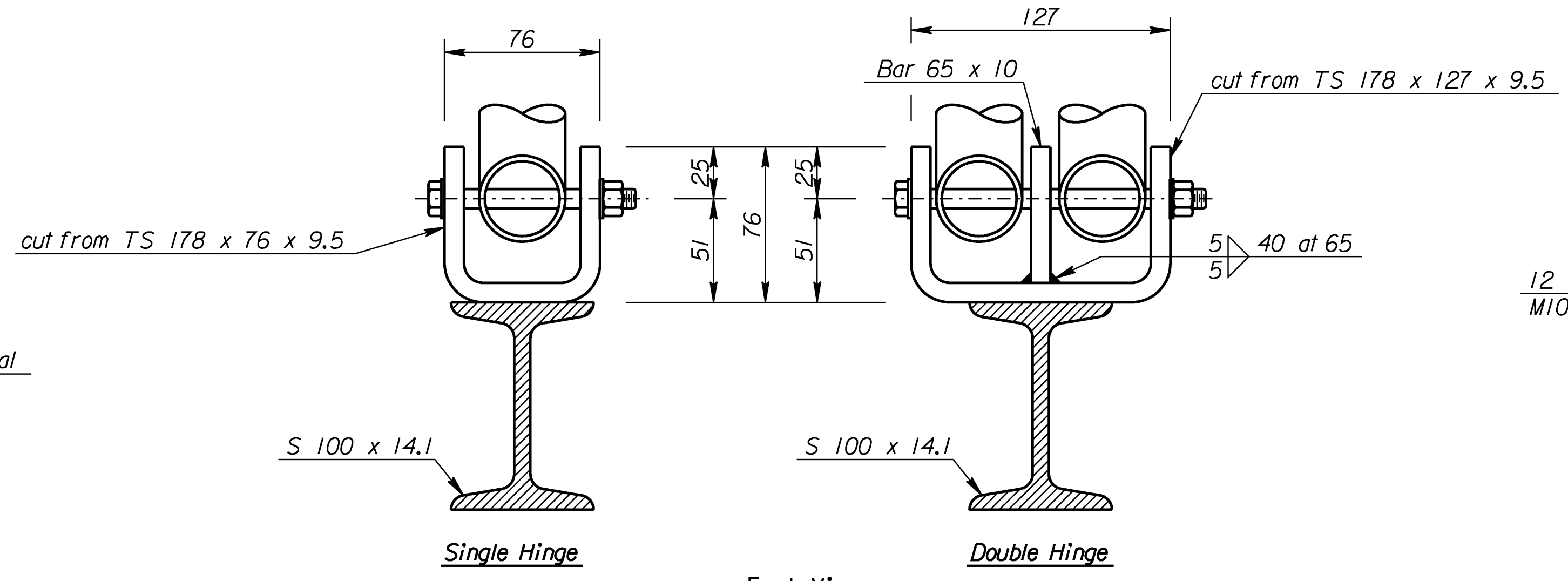
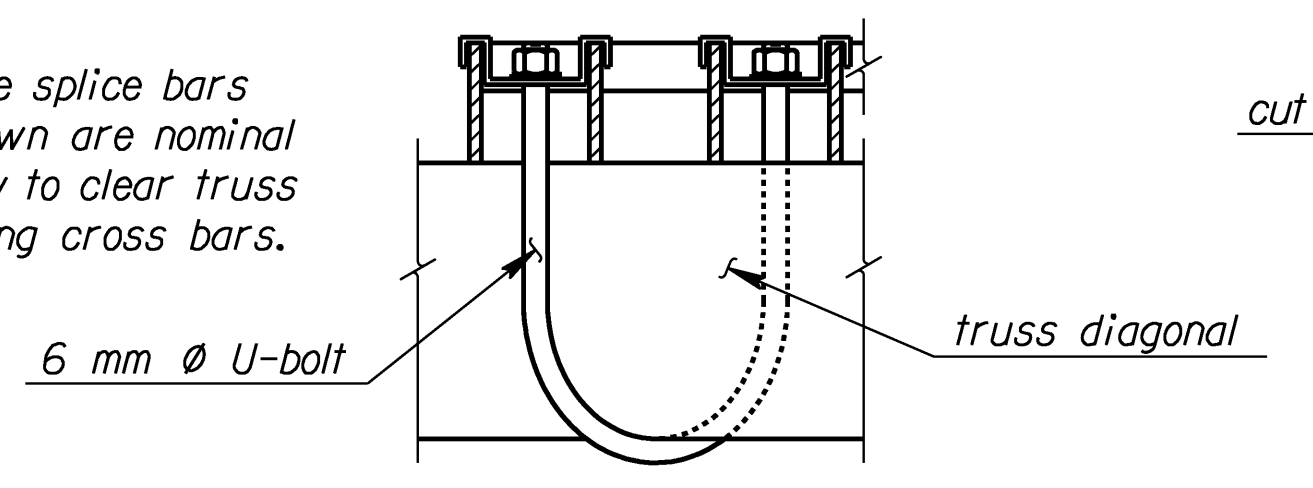
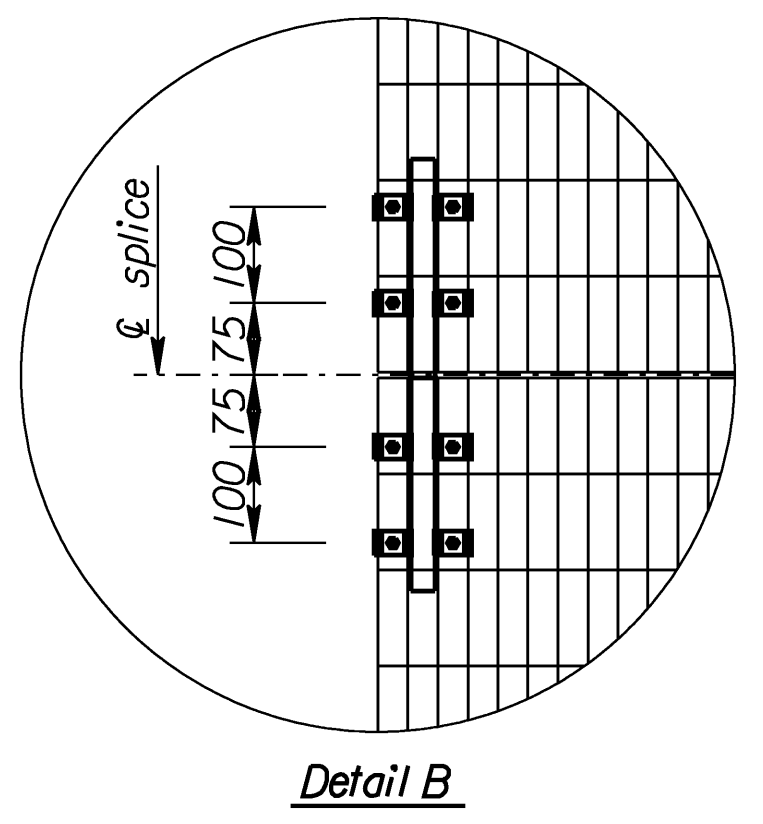
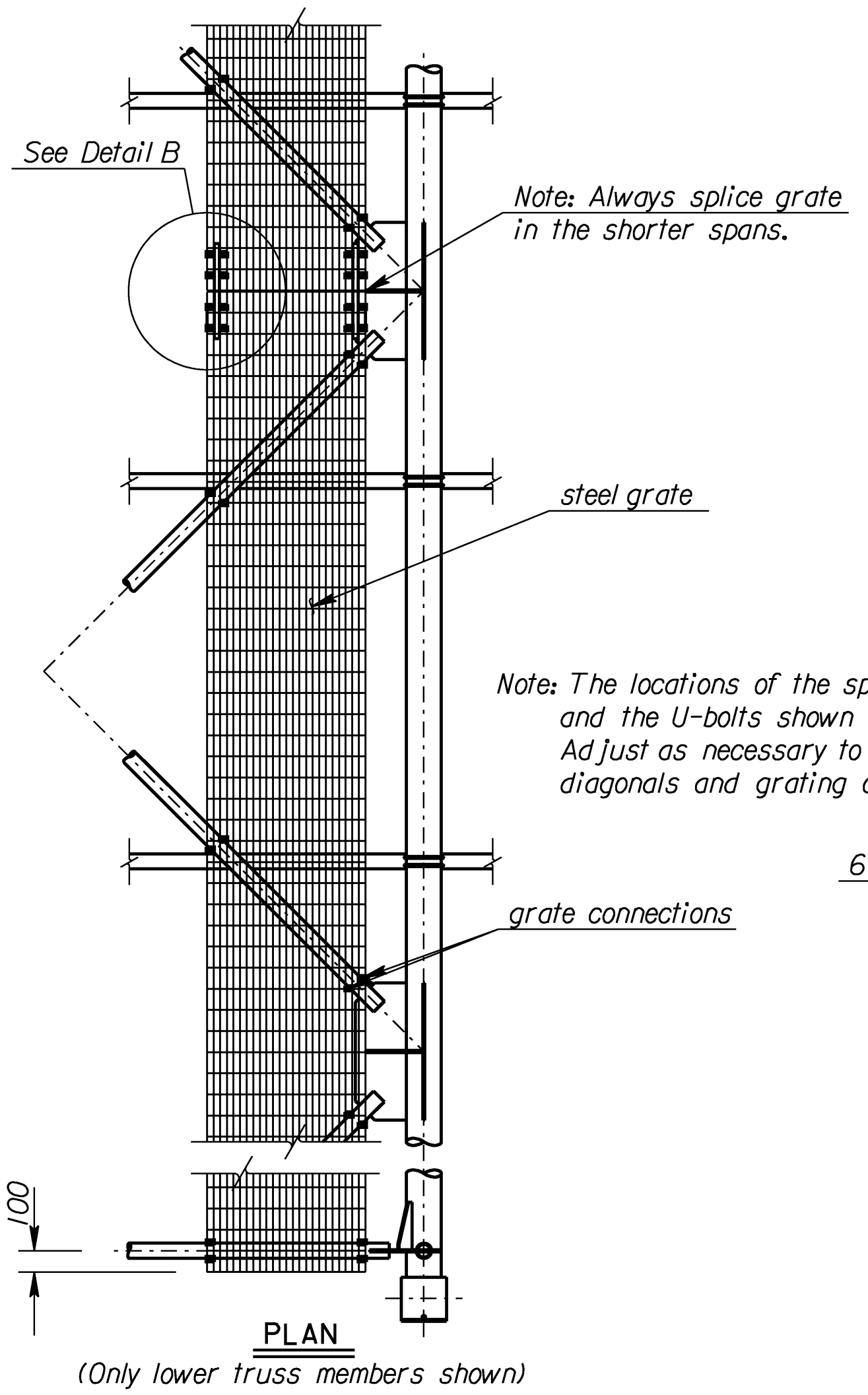


STATE	PROJECT NO.	YEAR	SHEET NO.	TOTAL SHEETS
KANSAS	54-87 K-8258-01	2005	195	223



EXTERIOR GRATE CONNECTION DETAILS



NO.	DATE	REVISIONS	BY	APP'D
KANSAS DEPARTMENT OF TRANSPORTATION STANDARD STRUCTURAL SIGN SUPPORTS SPAN TYPE OVERHEAD STEEL ALTERNATE SIGN MOUNTING AND WALKWAY DETAILS SL15IC-10 SI SEDGWICK CO				
DESIGNED	BFM	DATE	4-10-97	APP'D
DESIGN CK.	KFH	DETAIL CK.	KFH	QUANTITIES
				CADD CK.
				LES

Std. Base File: sl15icsi.dgn - Plot 10
 Plotted By: bond
 File: F:\Working\825801\SL_Structures\SL-825801-15\icsi.dgn
 Plot Date: 6/29/2005