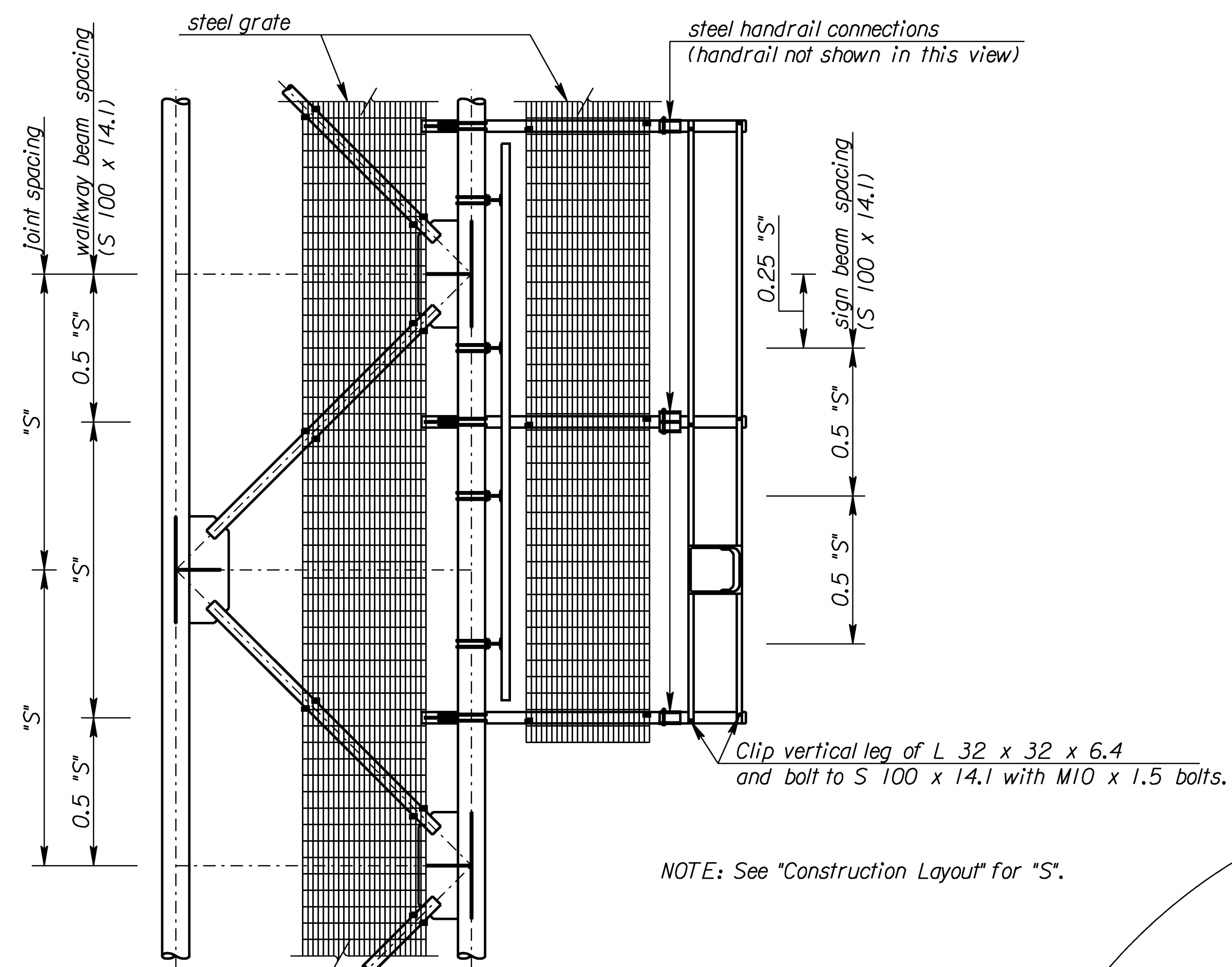
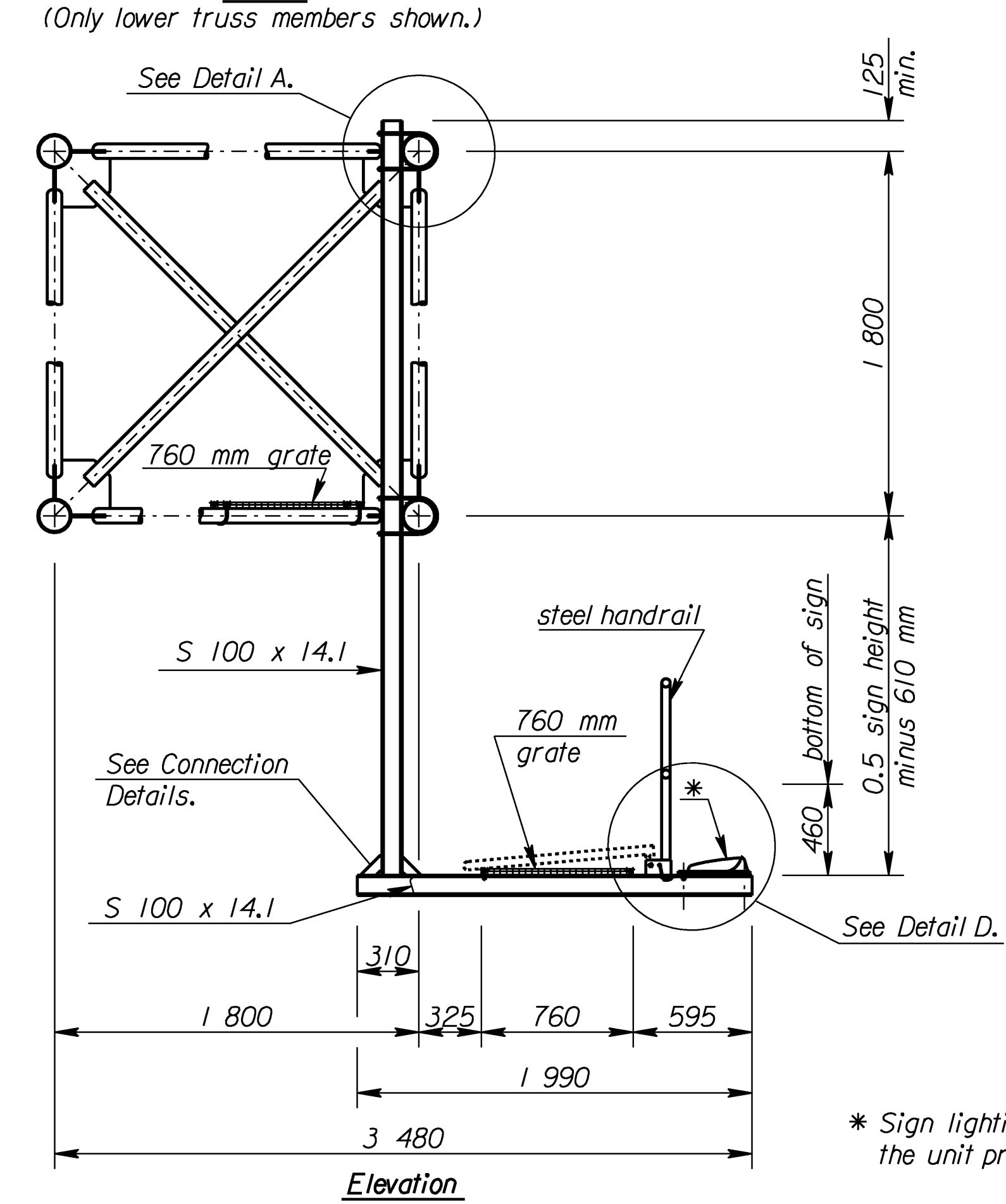


STATE	PROJECT NO.	YEAR	SHEET NO.	TOTAL SHEETS
KANSAS	54-87 K-8258-01	2005	196	223



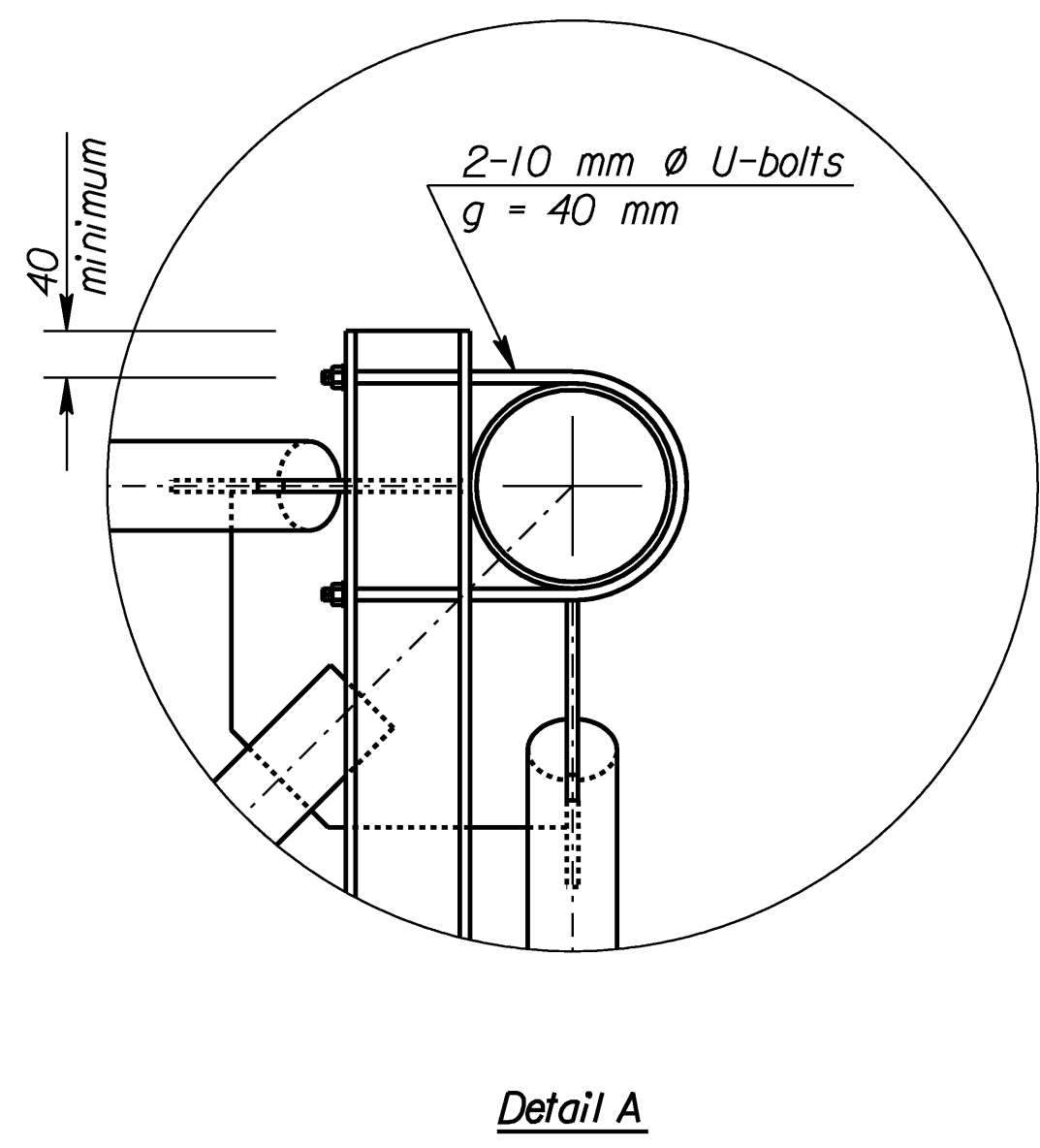
NOTE: See "Construction Layout" for "S".

PLAN
(Only lower truss members shown.)

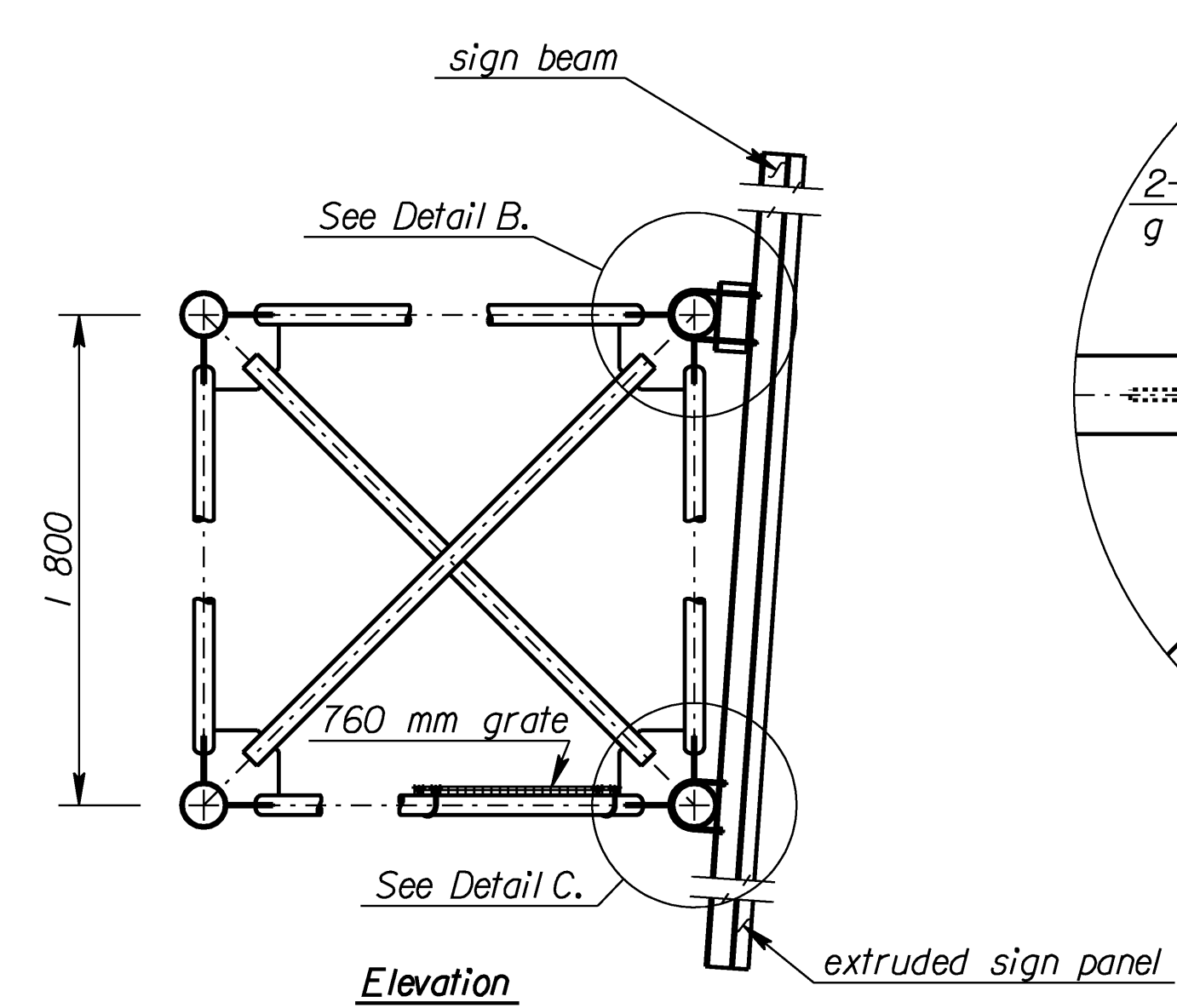


Elevation
WALKWAY BEAM CONNECTION

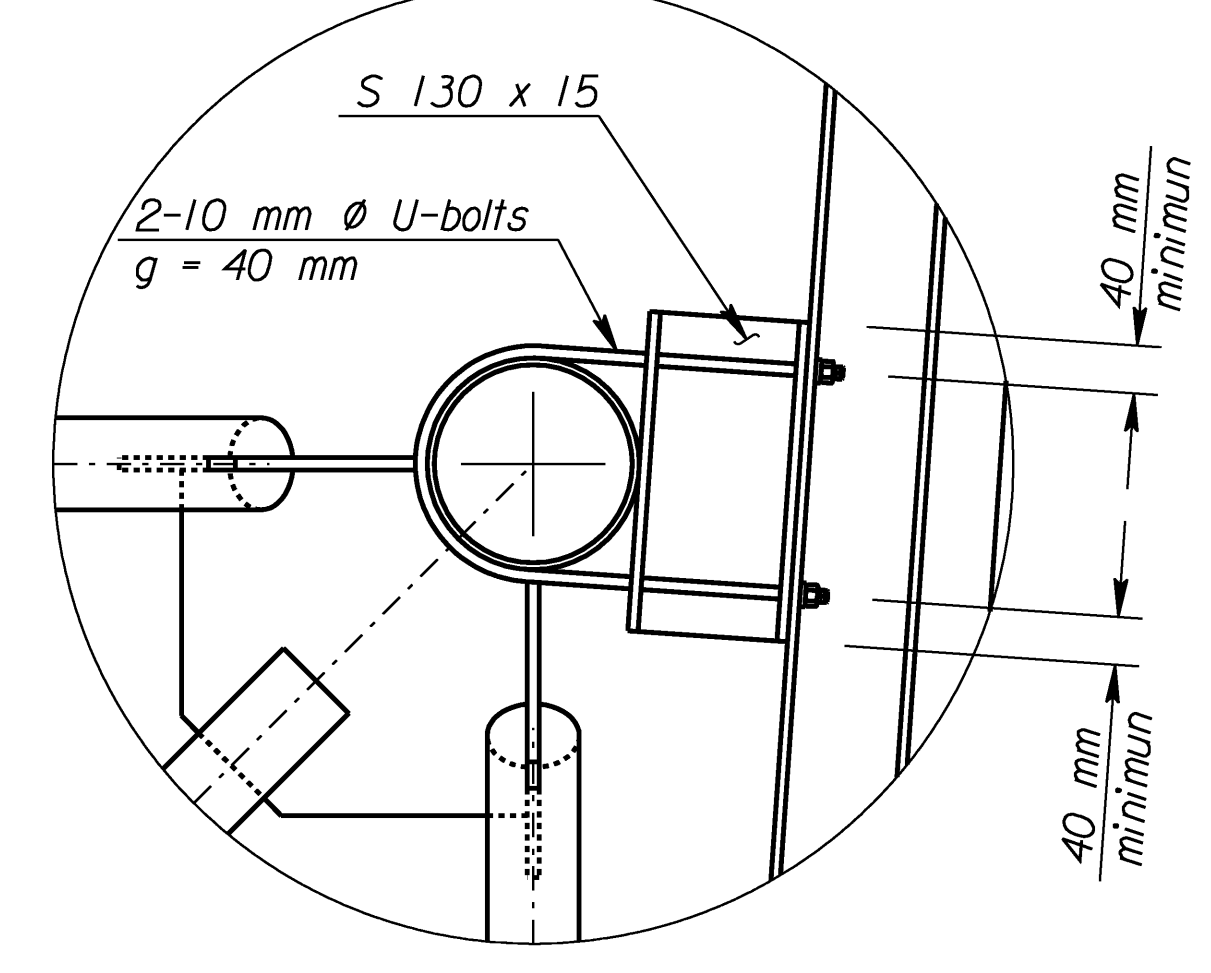
* Sign lighting is not included in the unit price bid for each structure.



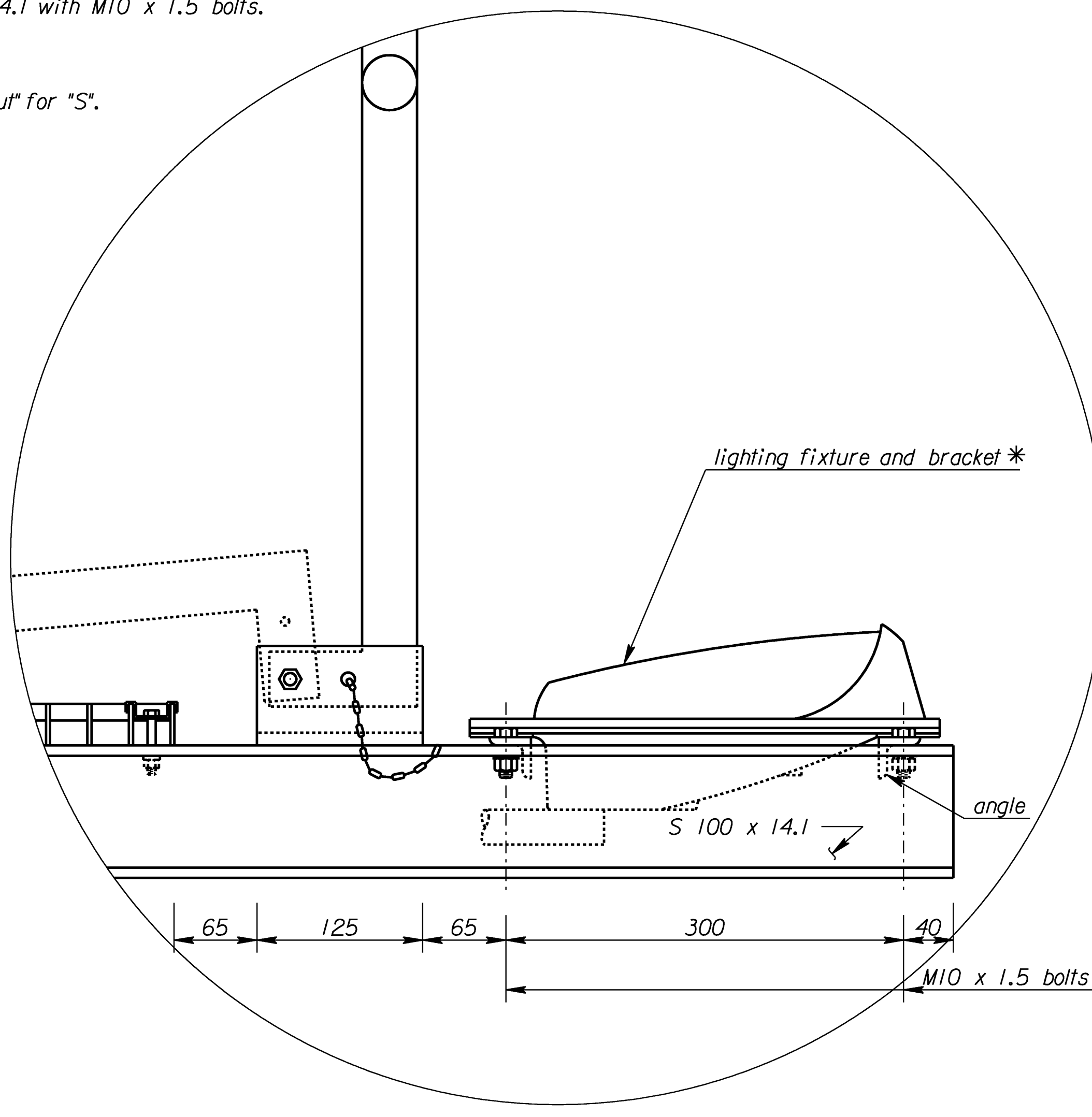
Detail A



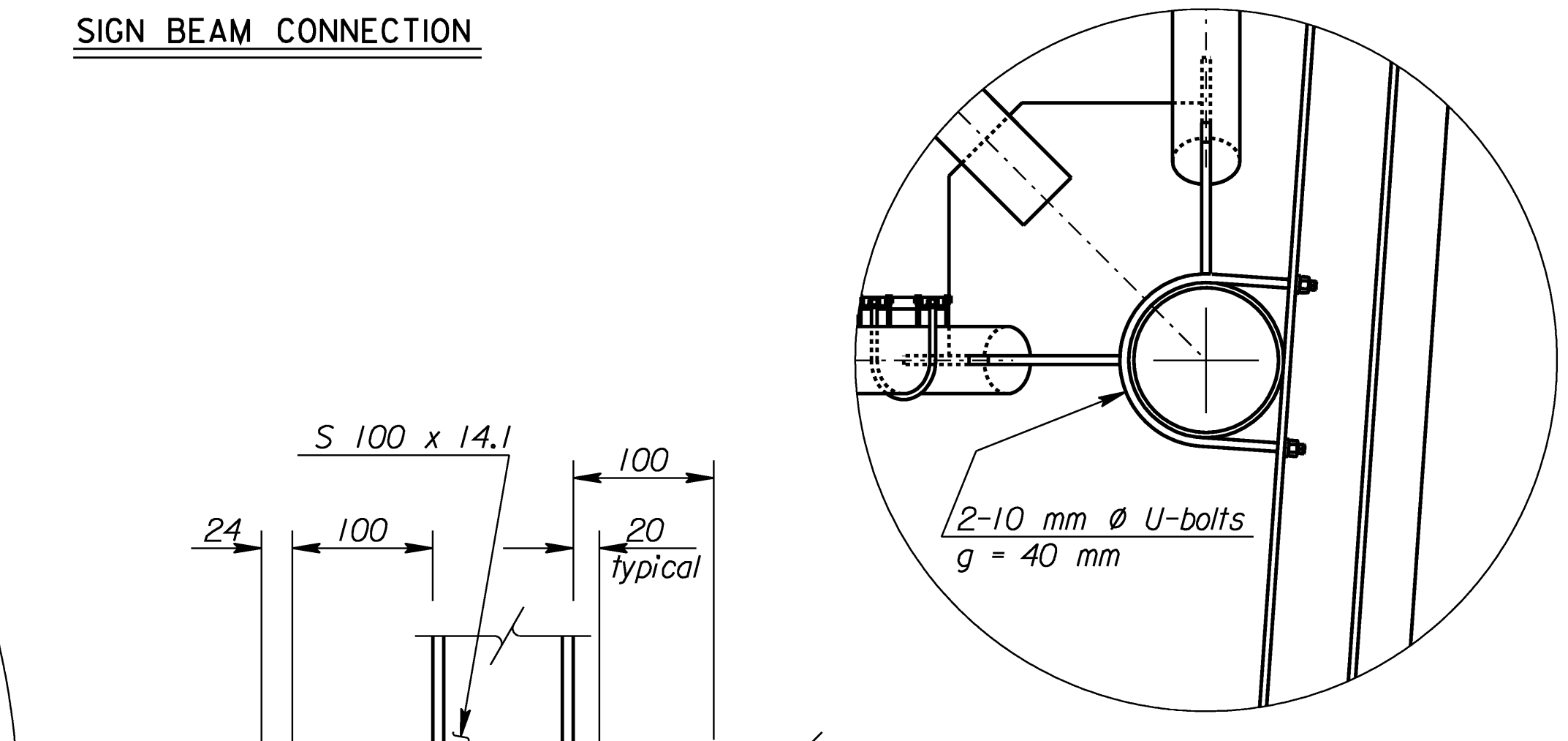
Elevation
SIGN BEAM CONNECTION



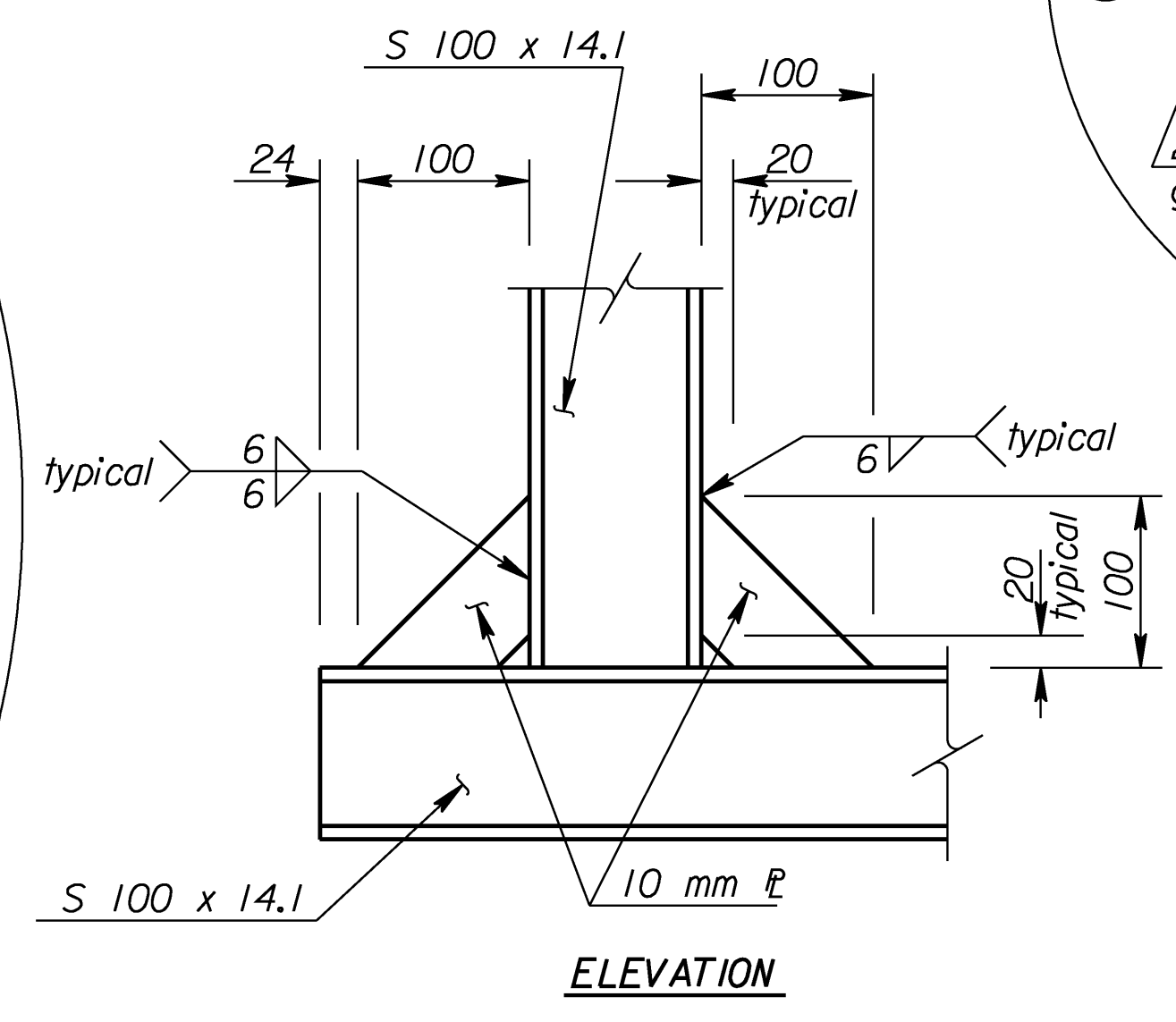
Detail B



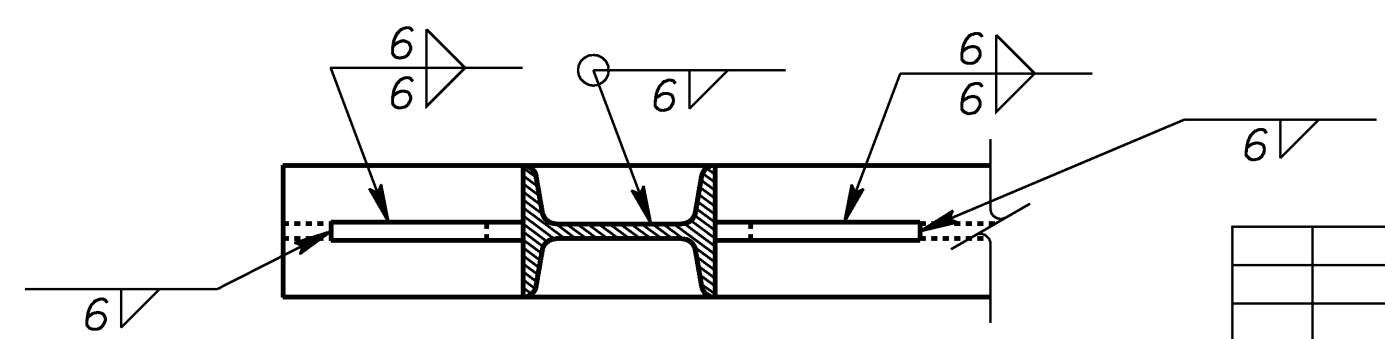
Detail D



Detail C



ELEVATION



PLAN

CONNECTION DETAILS

NO.	DATE	REVISIONS	BY	APP'D
KANSAS DEPARTMENT OF TRANSPORTATION STANDARD STRUCTURAL SIGN SUPPORTS SPAN TYPE OVERHEAD STEEL ALTERNATE SPECIAL SIGN MOUNTING AND WALKWAY DETAILS SL15IC-II SI				
				SEDGWICK CO.
DESIGNED	LES	DETAILED	ERK	QUANTITIES
DESIGN CK.	BR	DETAIL CK.	BR	QUAN. CK.
				Kenneth F. Hurst CADD DJE CADD CK. LES

Std. Base File: sl15csi.dgn - Plot 11
 Plotted By: bond
 File: F:\Working\825801\SL_Structures\SL-825801-15.csi.dgn
 Plot Date: 6/29/2005