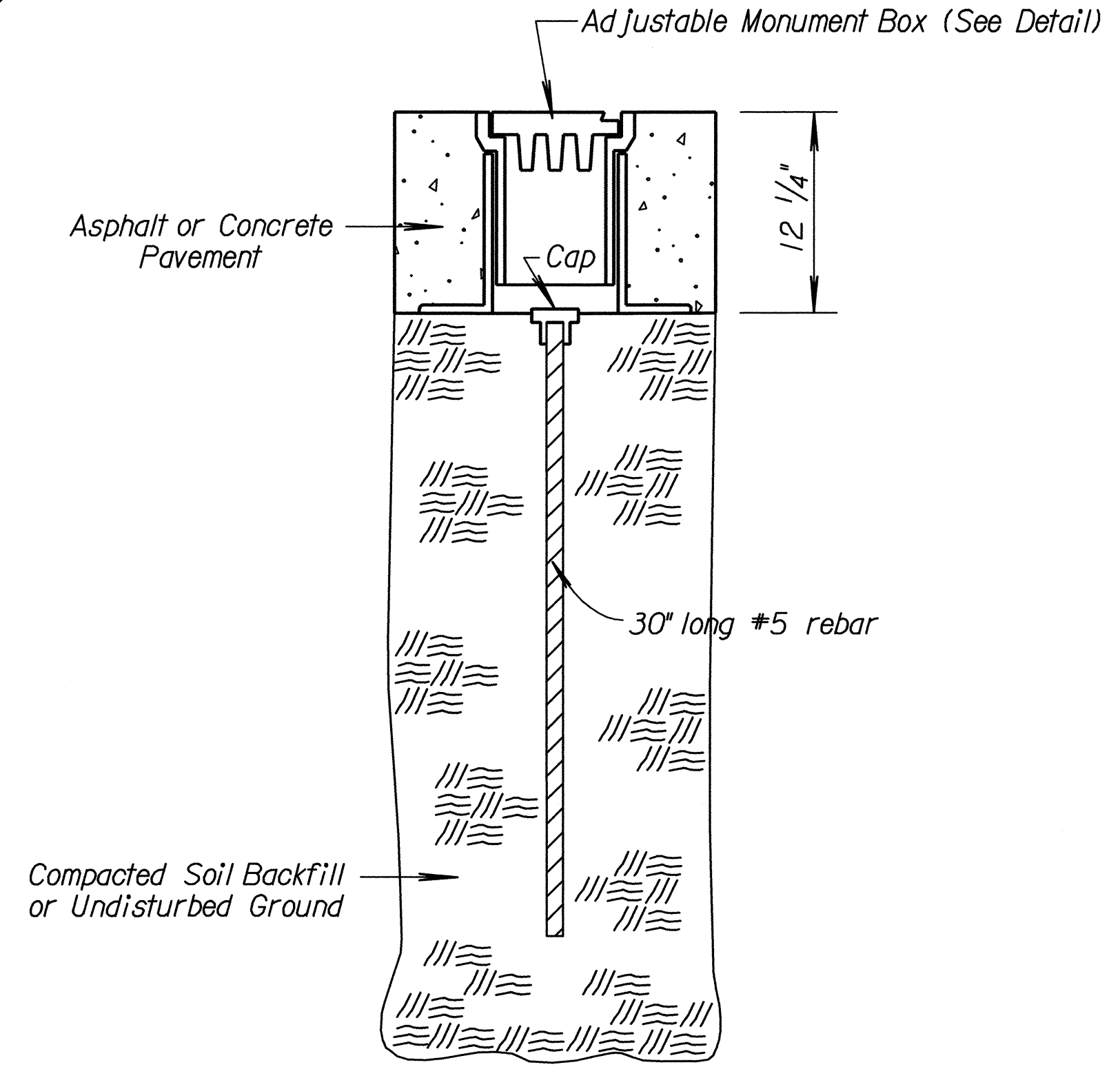


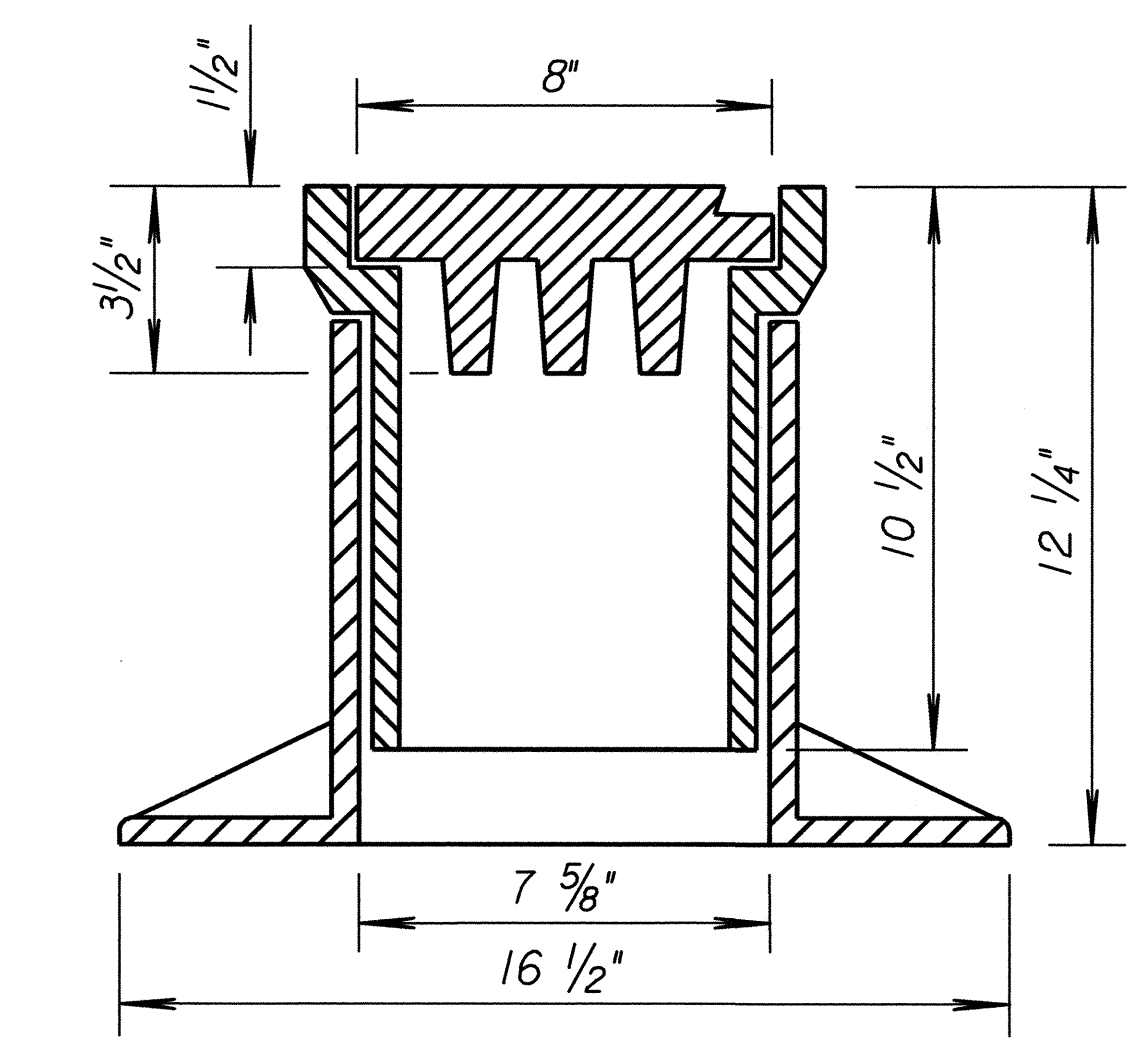
EXHIBIT

2" DIA. PRE-STAMPED ALUMINUM CAPS

KDOT - DISTRICT 1	KDOT - DISTRICT 2	KDOT - DISTRICT 3
KDOT - DISTRICT 4	KDOT - DISTRICT 5	KDOT - DISTRICT 6
KDOT STATE SURVEY CREW BUREAU OF DESIGN	SURVEY COMPANY WITH A VALID CORPORATION LICENSE	INDEPENDENT SURVEYOR OR SOLE PROPRIETOR COMPANY



Type A
(Standard Land Corner Monument Box)



ADJUSTABLE MONUMENT BOX DETAIL
(Neenah R-1968 Type 36-B or approved equivalent)

GENERAL NOTES:

All installations shall have the proper identification cap for the party installing the monument, as shown on the exhibit.

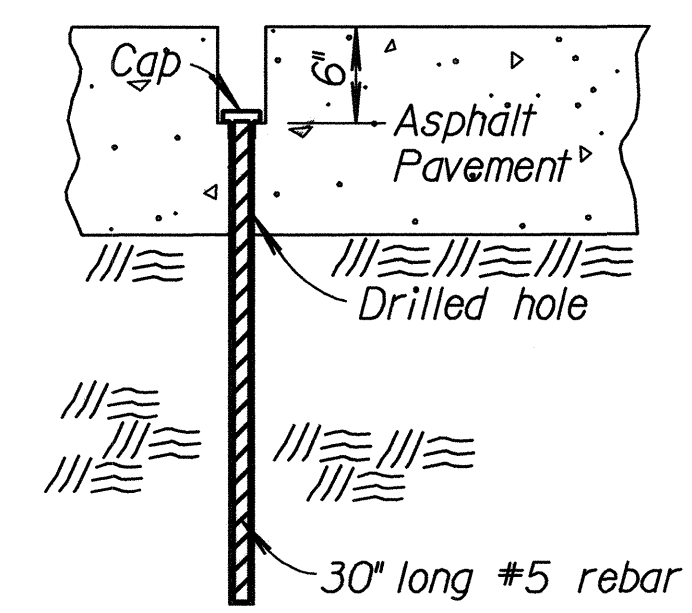
All stampings, forgings, and impressions shall be legible and properly identify the location of the monument within the Public Land Survey System (PLSS). A "System of Marking" is available in the "Manual of SURVEYING INSTRUCTIONS-1973", which is published by the United States Department of the Interior, Bureau of Land Management.

Reset all PLSS corners in accordance with the standard specifications.

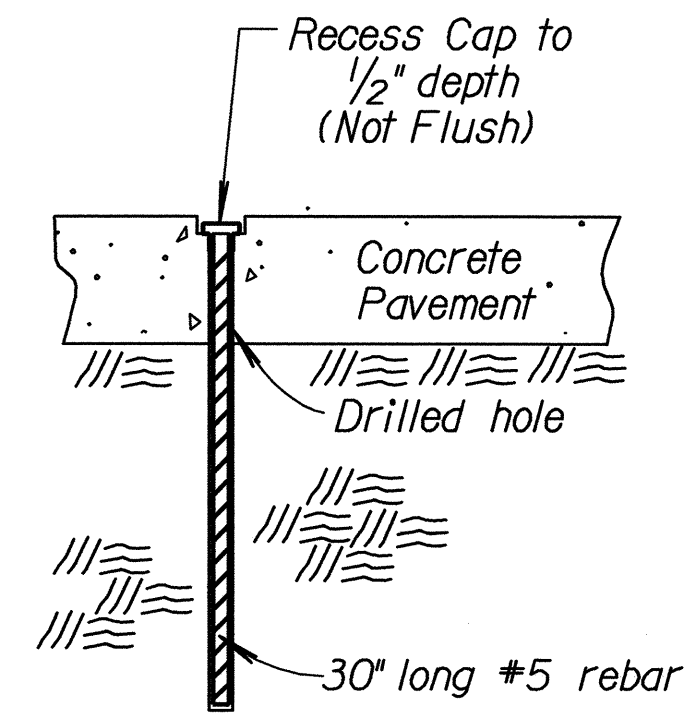
In addition to monumentation of the PLSS corner, the Engineer may direct/select specific locations for offset monumentation, as shown.

Type A monumentation can be used on a project as specified in the plans or as directed by the engineer. Some examples of where a Type A monument may be used would be high traffic volume roadways, urban locations, or as required by local governmental codes. Otherwise, Types B-D monumentation should be utilized on a project.

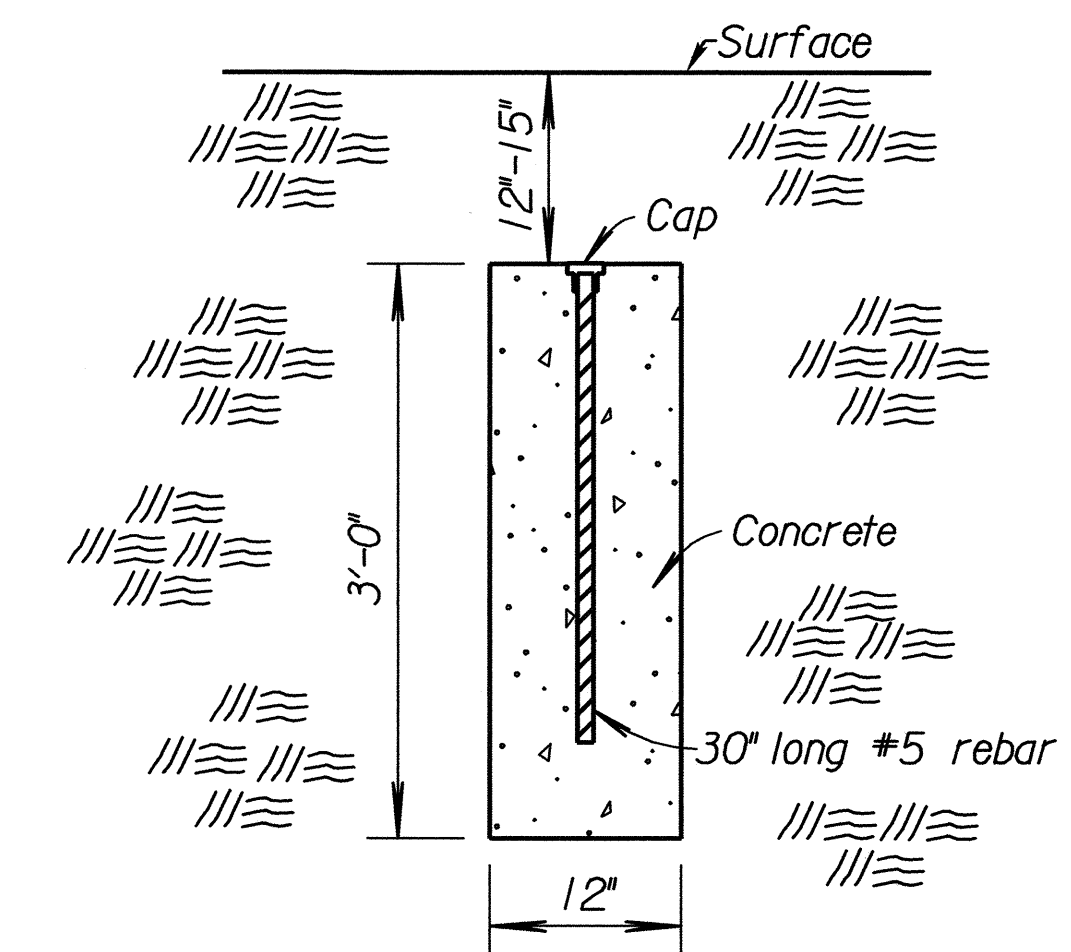
All work and materials required to install the monument box shall be paid under the bid item "Monument Box" (Each) and included in the plan quantities. ~~All work and material to install Types B-D monumentation shall be included under the bid item "Contractor Construction Staking" (Lump Sum). See the Standard Specifications for details.~~



Type B
(Recessed Bar)



Type C
(Drilled Hole)



Type D
(Shoulder/Ditch Subsurface Monument)

Drawn By: \$\$\$USERNAMER\$\$\$ Plotted: \$\$\$SYTIME\$\$\$
 File: \$\$\$DGN\$\$\$SPEC\$\$\$

NO.	DATE	REVISIONS	BY	APP'D
1	11-10-03	Revised monument types.	S.W.K.	J.O.B.

KANSAS DEPARTMENT OF TRANSPORTATION

SECTION CORNER MONUMENTATION DETAIL SHEET

RD9990

DESIGNED	8-30-04	APP'D. James O. Brewer
DETAIL CK.		TRACED Bowser
QUANTITIES		TRACE CK. Seitz
DESIGN CK.		QUAN. CK.