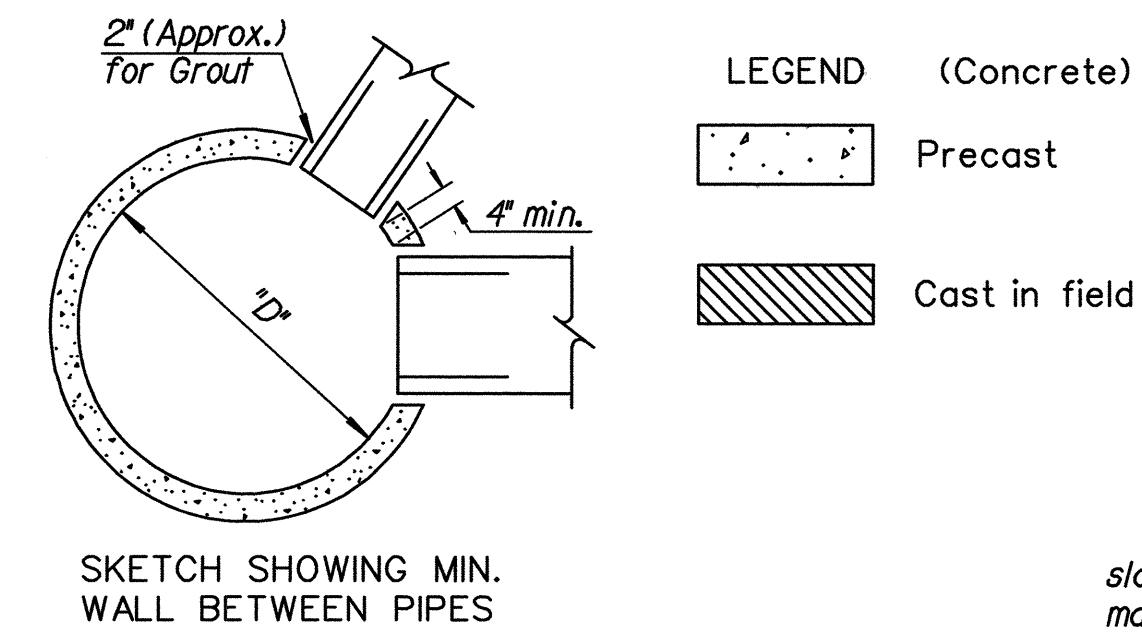


DIMENSIONS & REQUIREMENTS			
Type	"D"	Tw(min.)	◆
I or II	48"	4"	24"
II	60"	5"	30"
II	72"	6"	48"



◆ Steps shall be uniformly spaced. Spacing shall be 12" minimum and 16 1/2" maximum.

◆ 5" Tw (min.) for portion of sanitary sewer manhole below 16 feet.

◆ Maximum sewer pipe allowed for "D" shown. Increase "D" to provide 4 inch minimum wall between pipes. (see sketch)

(NOTE) Type II manhole required:

1. When distance from top of manhole to top of sewer pipe is less than 42 inches.
2. For sewer pipes greater than 24 inches.
3. To provide 4" min. wall between pipes. (see sketch)

GENERAL NOTE

Precast risers, cones, flat top slabs, reducing flat slabs, floors, grade rings, and rings and covers shall be manufactured according to the most recent ASTM C-478 Specifications and special provisions with specific details as shown on this sheet. Cone section shall be the eccentric type.

All manhole construction shall be water tight. All Joints shall be filled with mortar or plastic joint compound as specified in the Standard Specifications. No payment will be made for this work.

When so ordered by the Engineer the top of the manhole shall be sloped slightly to approximately fit the ground line or other conditions.

Grade rings shall be formed with tongue and groove or lugs and notches. Grade rings shall be set in mortar.

When field conditions require "H" to be adjusted additional grade rings may be used as directed by the Engineer.

Contractor shall determine pipe locations in the field prior to ordering manholes, to insure proper positioning of pipe openings.

All dimensions relative to reinforcing steel are to center of bars unless otherwise noted.

Floor of manhole to be shaped as shown on Standard Drawing RD633. No additions in concrete quantities shall be made for shaping floor of manholes.

Steps shall be installed in all storm sewer manholes when specified in the plans or when "H" is equal to or greater than six feet. Steps shall comply with the requirements of the KDOT Standard Specification.

For notes and details on Cast Iron Manhole Covers and Rings see Standard Drawing RD633.

NO.	DATE	REVISIONS	BY	APP'D
6	12-11-97	Revised step spacing	R.J.S.	J.O.B.
5	10-23-92	Revised step & detailed on CADD	R.J.S.	J.O.B.
4	10-10-83	Added pipe location note	W.L.H.	L.R.P.

KANSAS DEPARTMENT OF TRANSPORTATION

PRECAST MANHOLES

RD629

DESIGNED	2-2-98	APP'D. James O. Brewer
DETAIL CK.		TRACED M.R.R.
QUAN. CK.		TRACE CK. R.J.S.

Drawn By: \$\$\$\$SYTIME\$\$\$\$
 File: \$\$\$\$GNSPEC\$\$\$\$