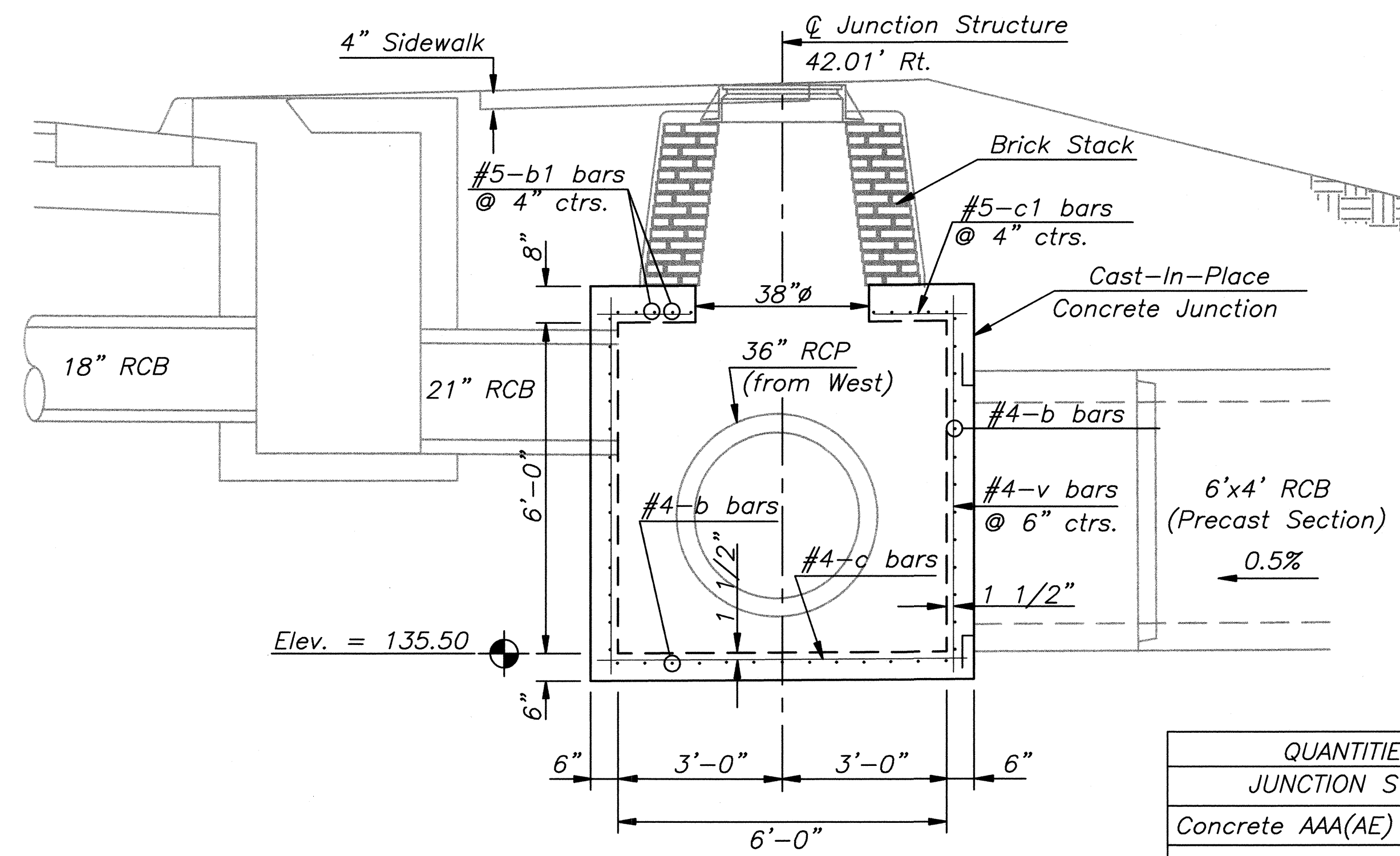


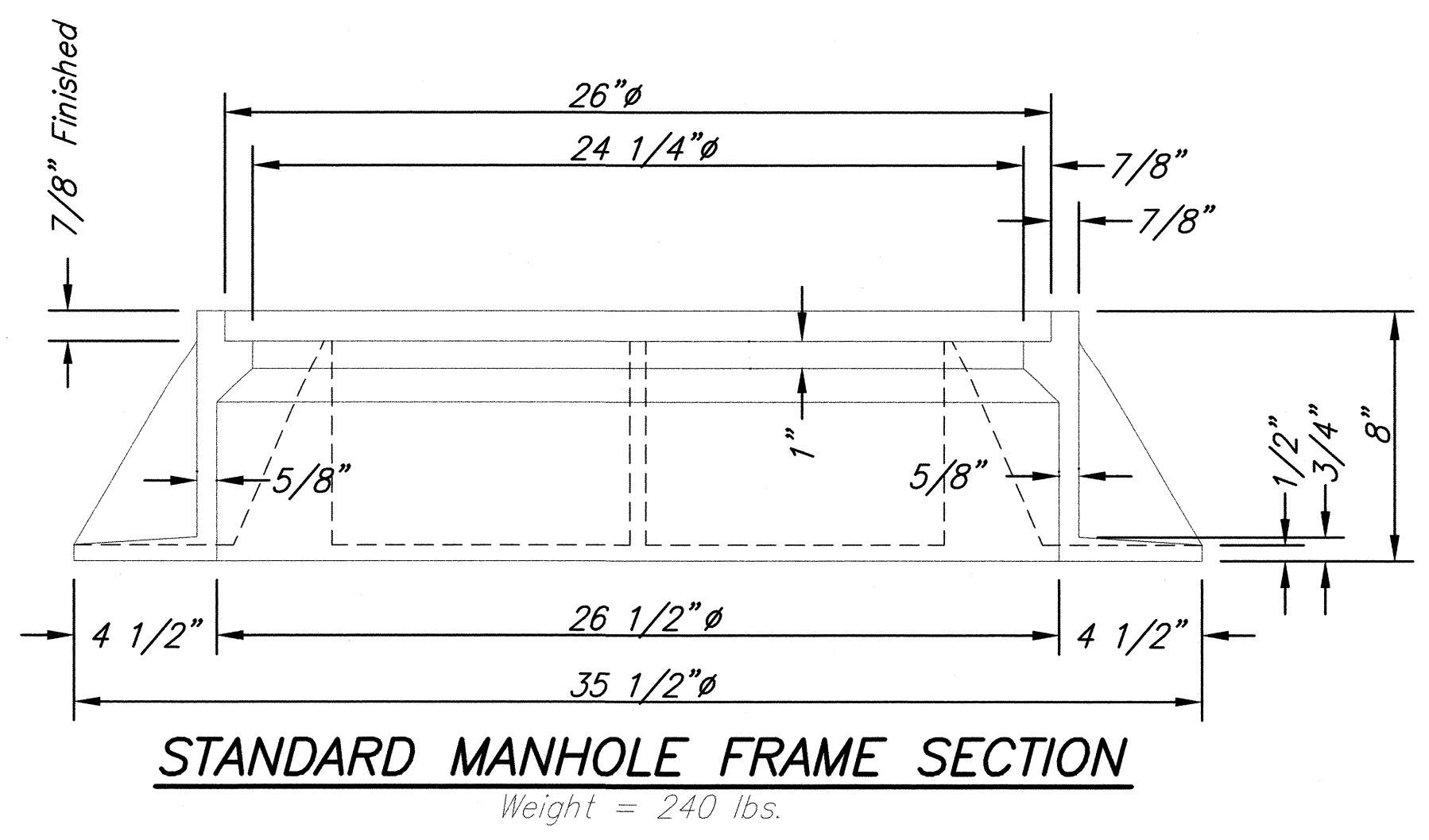
PLAN - JUNCTION STRUCTURE
 STA. 21+52.50 1/2"=1'



SECTION A-A
 1/2"=1'

QUANTITIES (FOR INFORMATION ONLY)		
JUNCTION STRUCTURE - STA. 21+53.50		
Concrete AAA(AE)	5.0	Cu. Yds.
Reinforcing Steel (Grade 60)	980	Lbs.

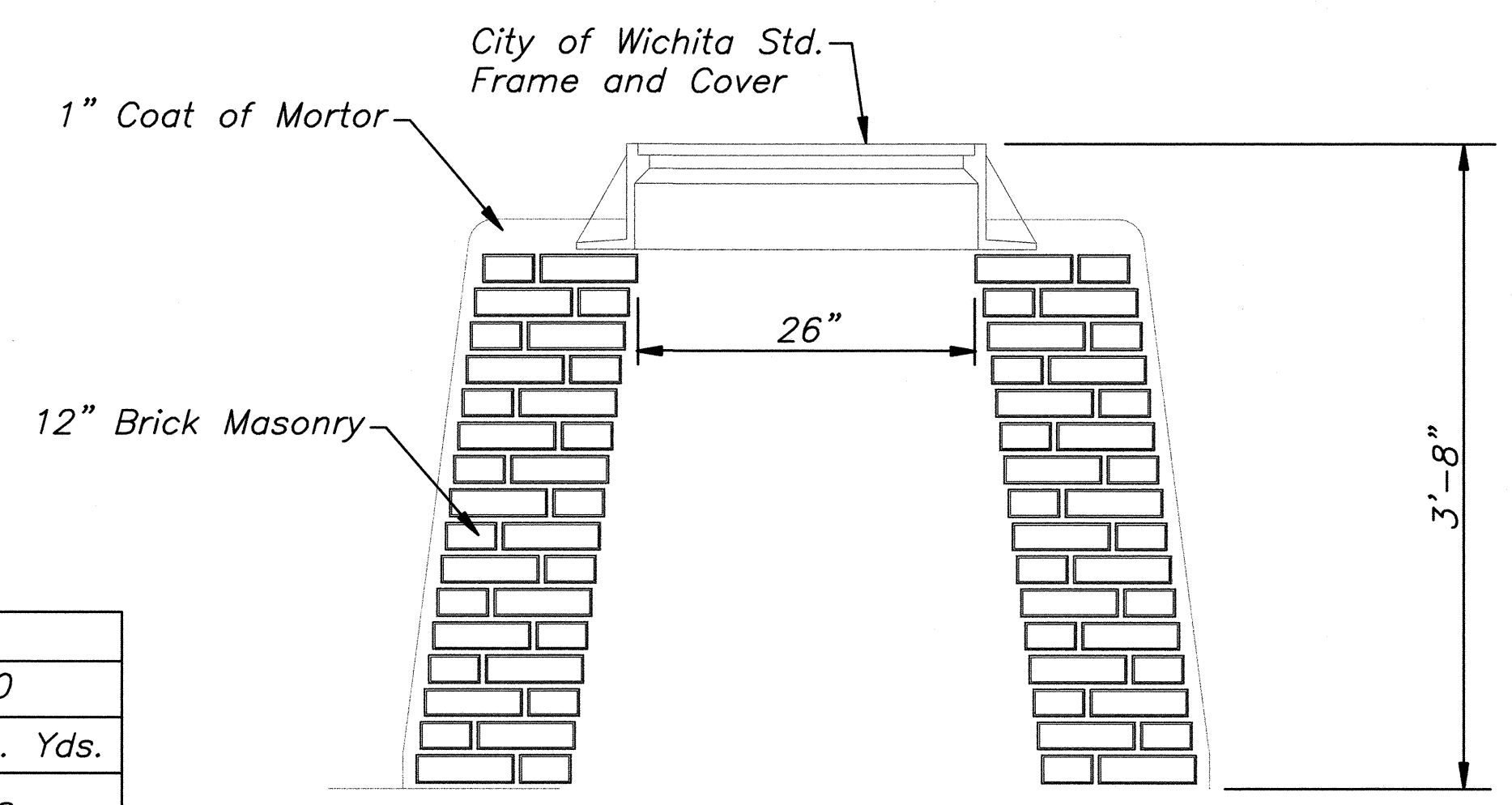
Note:
 All labor, materials and equipment shall be subsidiary to the bid item "Reinforced Concrete Junction Structure".



STANDARD MANHOLE FRAME SECTION
 Weight = 240 lbs.

GENERAL NOTES:

- MORTAR USED IN MASONRY CONSTRUCTION SHALL BE CITY OF WICHITA "8 SACK" MIX. CONCRETE USED IN MANHOLE WALLS AND BASES SHALL CONFORM TO THE REQUIREMENTS FOR CONCRETE PAVEMENT CONSTRUCTION AS SPECIFIED IN THE CITY STANDARD PAVING SPECIFICATIONS, USING CITY CONCRETE PAVEMENT MIX WITHOUT AIR ENTRAINING ADMIXTURE. MORTAR SHALL BE PLACED AROUND THE MANHOLE RING AS SHOWN ON THE DRAWINGS WHEN MANHOLES ARE CONSTRUCTED IN UNPAVED AREAS. COMPLETED MANHOLE SHALL BE WITHOUT LEAKS AND WATER TIGHT.
- THE FLOORS OF ALL MANHOLES SHALL BE SHAPED WITH FLOW CHANNELS SUCH THAT THE MANHOLES WILL BE SELF-CLEANING, USING 8 SACK SAND MIX CONCRETE. FLOW CHANNELS SHALL BE FORMED TO MATCH THE BOTTOM HALVES OF THE INFLOWING PIPES AND THE OUTFLOWING PIPE. MANHOLE FLOORS SHALL HAVE SLOPES OF 4:1 IN THE AREAS OUTSIDE OF THE FLOW CHANNELS, SLOPED TOWARD THE FLOW CHANNELS. SEE RD633 FOR FLOOR SHAPING DETAILS.
- MANHOLE COVER CASTINGS AND MANHOLE FRAME CASTINGS SHALL CONFORM TO THE REQUIREMENTS AS INDICATED IN THE STANDARD SPECIFICATIONS AND AS SHOWN IN THE STANDARD DETAIL DRAWING.
- THE ENDS OF ALL PIPES IN MANHOLES SHALL BE CUT OFF FLUSH WITH THE INSIDE FACE OF MANHOLE WALL.
- EXPOSED REINFORCING STEEL FROM THE PRECAST SECTIONS SHALL EXTEND A MINIMUM OF 12" INTO THE CAST-IN-PLACE JUNCTION STRUCTURE. SEE RD031 FOR DETAILS.

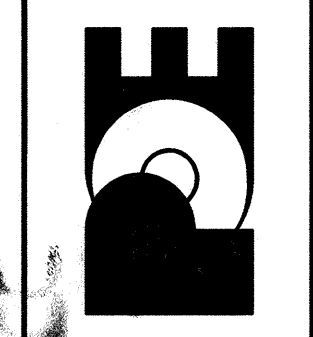


STACK DETAIL
 STA. 21+52.50 1/2"=1'

No.	Date	By	Approved	Revision

PANWEE AVENUE
 119TH TO MAIZE ROAD
CITY OF WICHITA, KANSAS
 JUNCTION STRUCTURE - STA. 21+53.50

POE & ASSOCIATES, INC.
 CONSULTING ENGINEERS
 5940 E. Central, Suite 200
 Wichita, KS 67208-4242
 Phone 316/685-4114 FAX 316/685-4444



FINAL
 Engineer: P. FERGUSON
 Designer: P. FERGUSON
 P.O. Job No.: 1793
 Date: JULY 2005