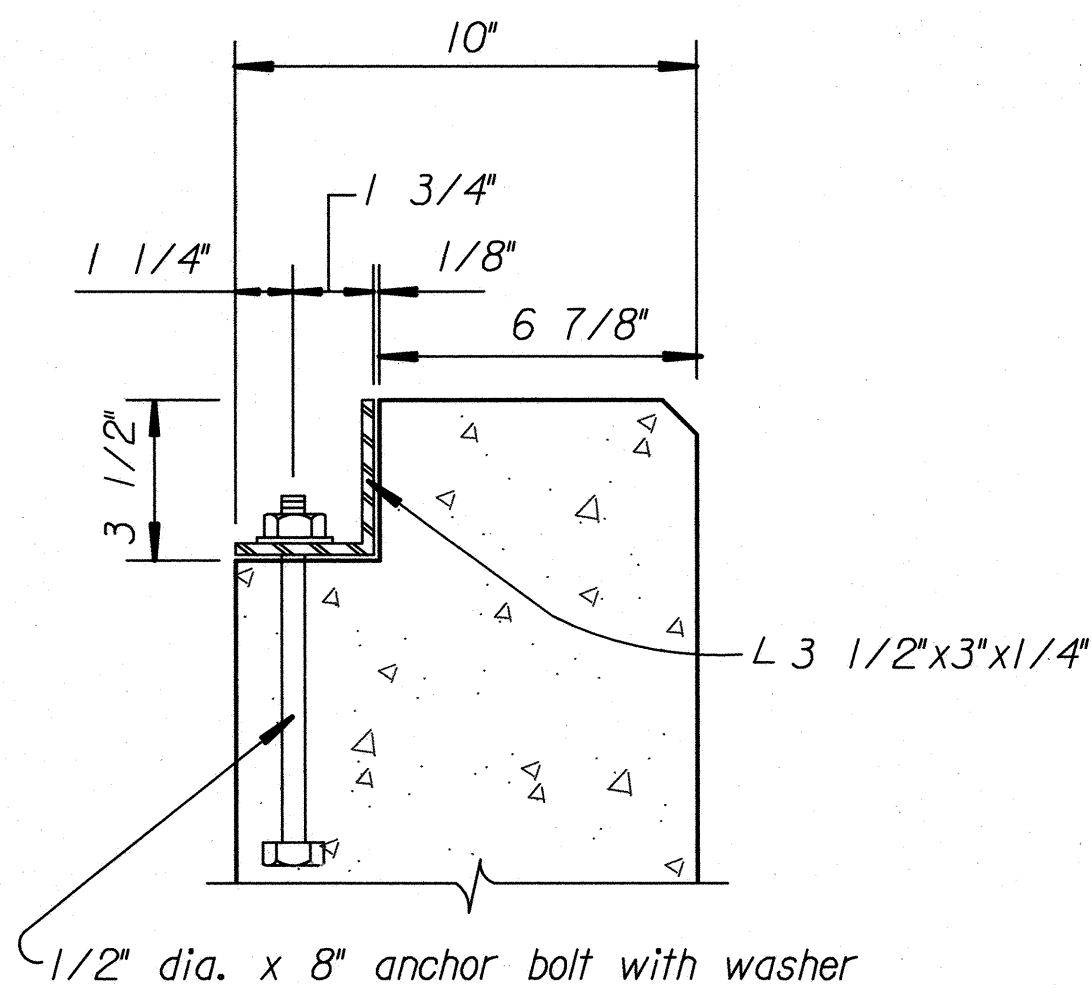
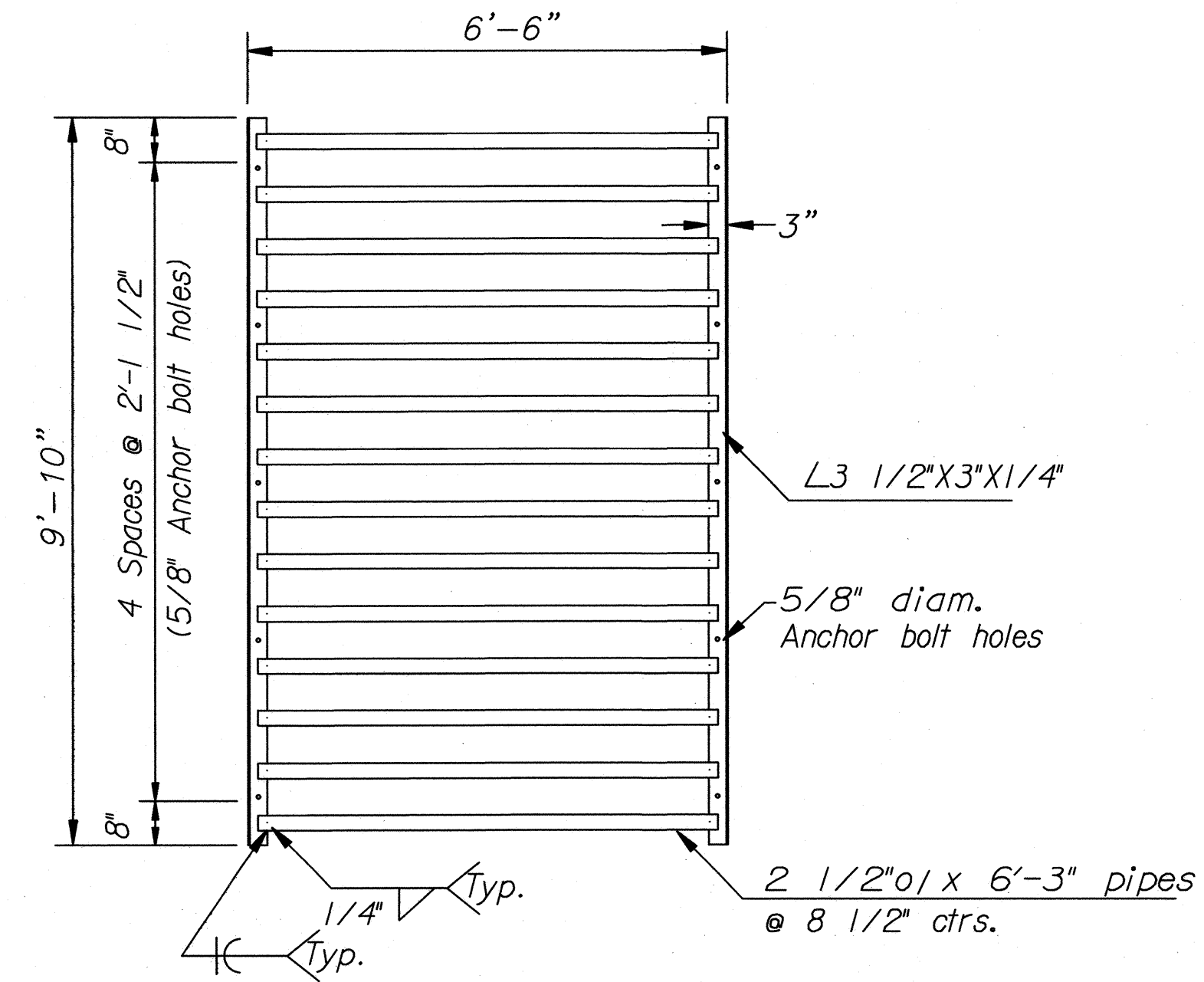


Note:  
The grate shall be fabricated from standard or commercial grade structural steel and black steel pipe. The unit shall be hot dipped, galvanized after fabrication, in accordance with ASTM A123 except the weight of coating shall average not less than 2.0 ounces per square foot of actual surface and no individual test shall show less than 1.8 ounces of coating per square foot of actual surface area.



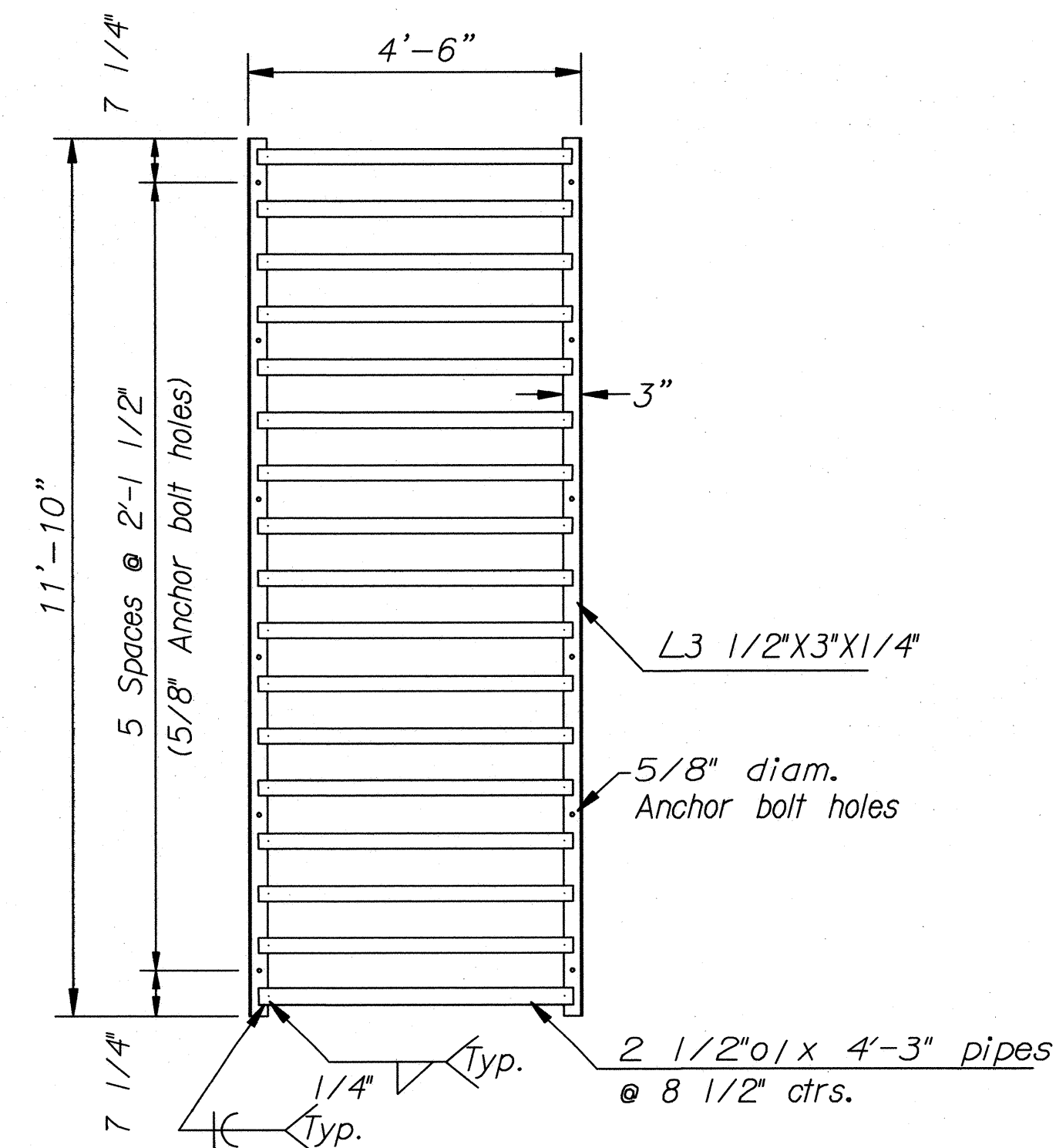
**ANCHOR BOLT DETAIL**  
Not to Scale

Note: Anchor bolts are subsidiary to the bid item "Reinforced Concrete Inlet Structure".



**GRATE UNIT DETAILS**

1/2"=1'  
Sta. 21+52.50, Sta. 34+00.00



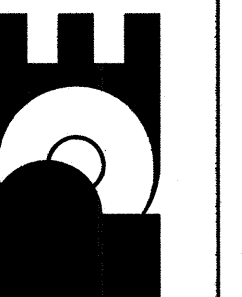
**GRATE UNIT DETAILS**

1/2"=1'  
Sta. 79+50.00

No.	Date	By	Approved	Revision

PAYNEE AVENUE  
119TH TO MAZE ROAD  
CITY OF WICHITA, KANSAS  
INLET STRUCTURE DETAILS

POE & ASSOCIATES, INC.  
CONSULTING ENGINEERS  
5940 E. Central, Suite 200 ■ Wichita, KS 67208-4942  
Phone 316/685-4114 ■ FAX 316/685-4444



FINAL  
Engineer: P. FERGOUSON  
Designer: P. FERGOUSON  
Poe Job No.: 1793  
Date: JULY 2005