

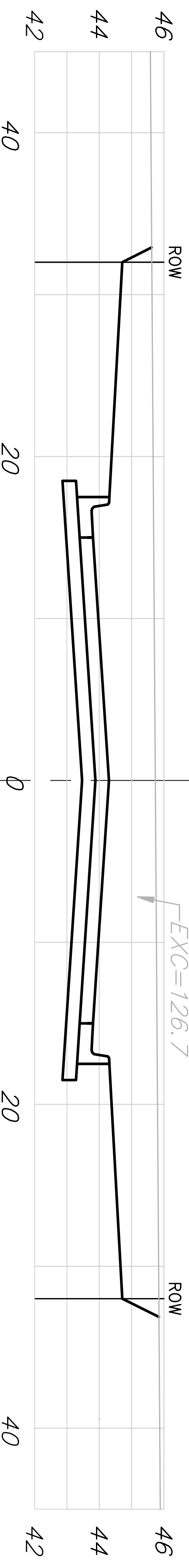
±

HARDNER CIRCLE

5+50

EXC = 126.7

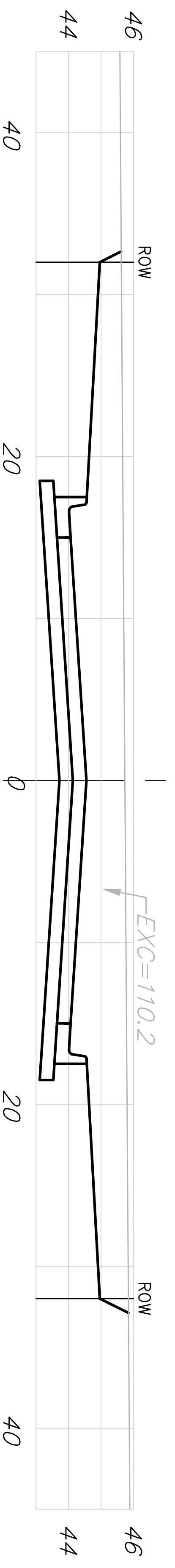
10.87' / EXC = 52.1 / LF = 0.0 / CF = 0.0



5+00

EXC = 110.2

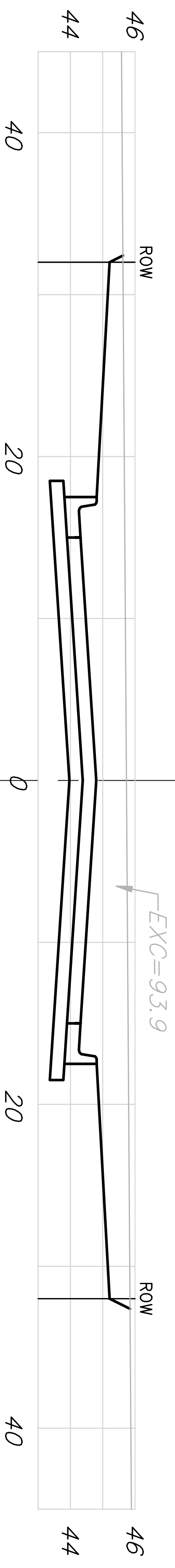
50.00' / EXC = 219.4 / LF = 0.0 / CF = 0.0



4+50

EXC = 93.9

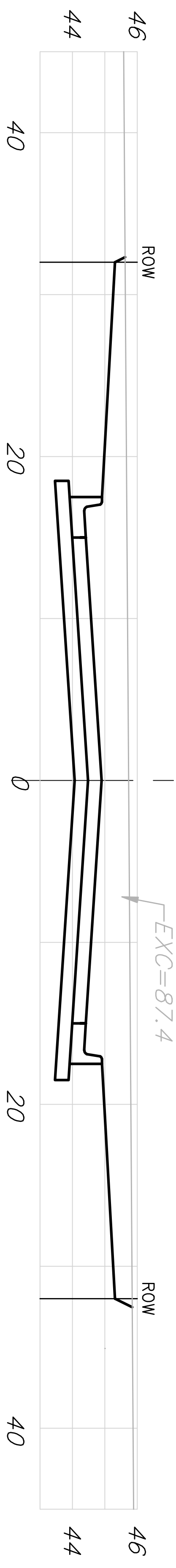
50.00' / EXC = 189.0 / LF = 0.0 / CF = 0.0



4+31.01

EXC = 87.4

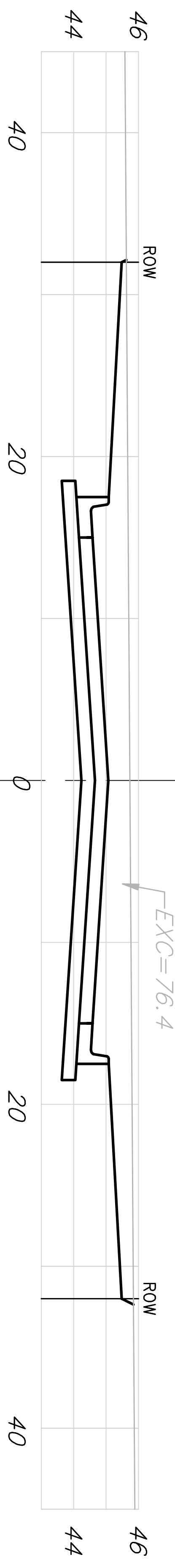
18.99' / EXC = 63.8 / LF = 0.0 / CF = 0.0



4+00

EXC = 76.4

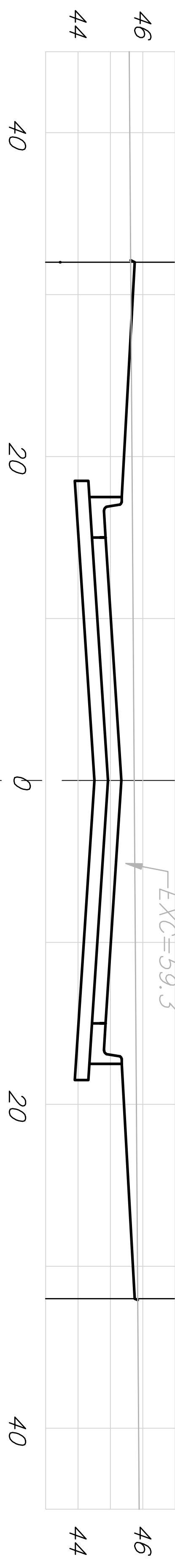
31.01' / EXC = 94.1 / LF = 0.0 / CF = 0.0



3+50

EXC = 59.3

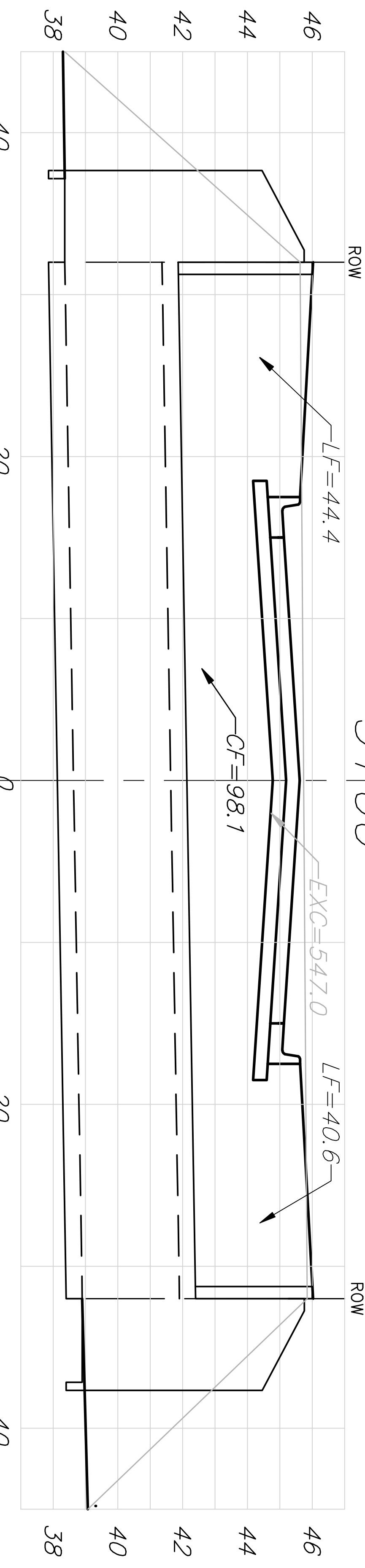
50.00' / EXC = 125.6 / LF = 0.0 / CF = 0.0



3+00

EXC = 547.0

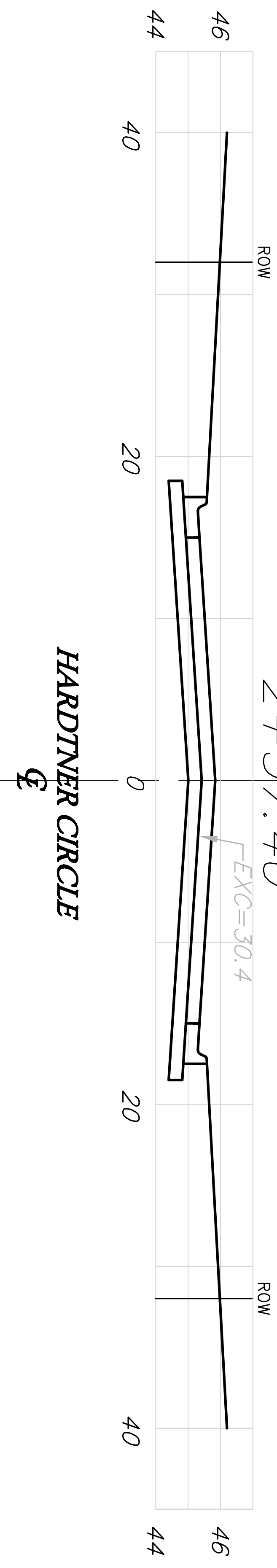
50.00' / EXC = 561.4 / LF = 0.0 / CF = 0.0



2+57.40

EXC = 30.4

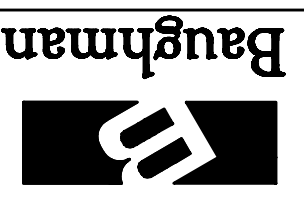
42.60' / EXC = 455.5 / LF = 0.0 / CF = 0.0



HARDNER CIRCLE

±

SHEET TOTAL:
 EXCAVATION = 1760.9 C.Y.
 LOOSE FILL = 85.0 C.Y.
 COMPACTED FILL = 98.1 C.Y.



Baughman
 Engineering, P.A. 5500 15th Avenue S.W. Grand Rapids, MI 49508
 PROJECT NUMBER: 08058121
 SHEET: 18 OF 21
 08058121