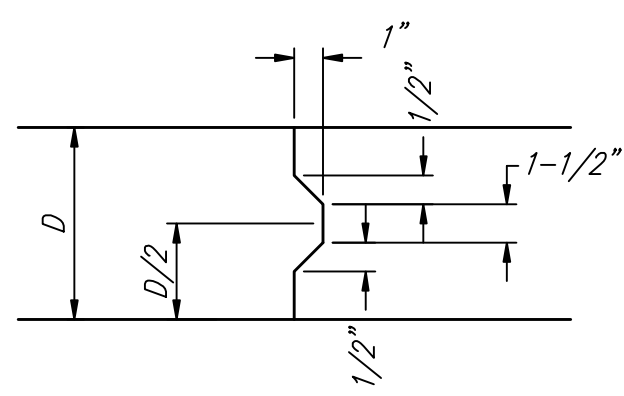
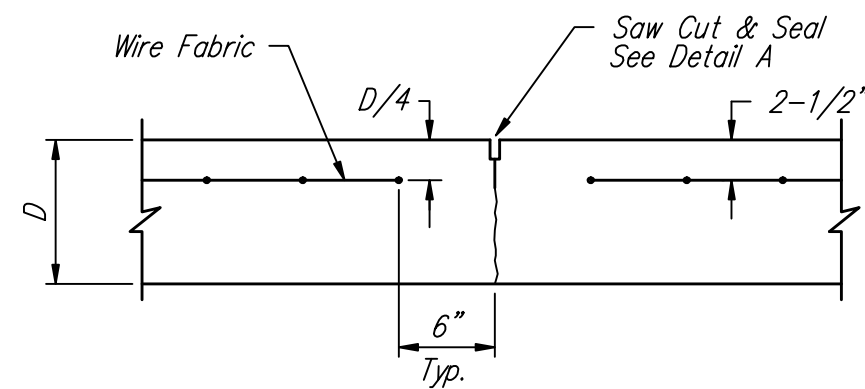


EXPANSION JOINT

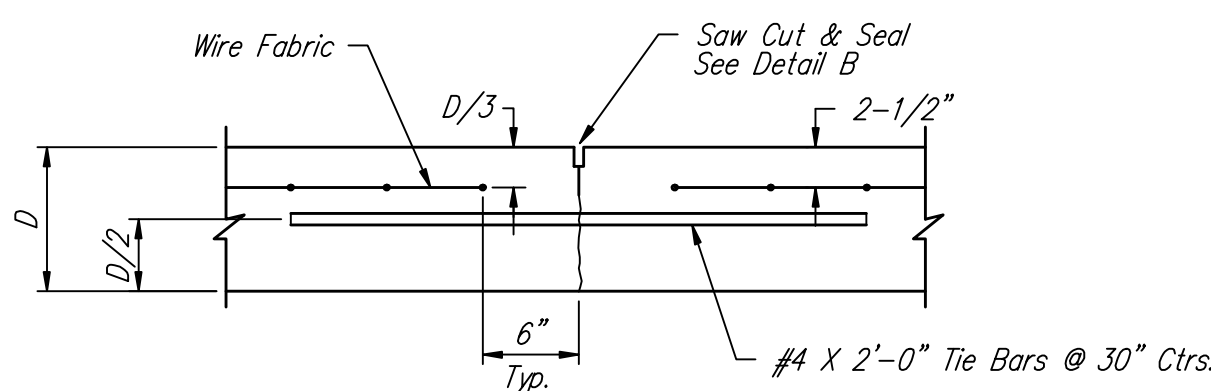
NOTE: Extra Thickness to be Subsidiary to Price of Square Yards Pavement



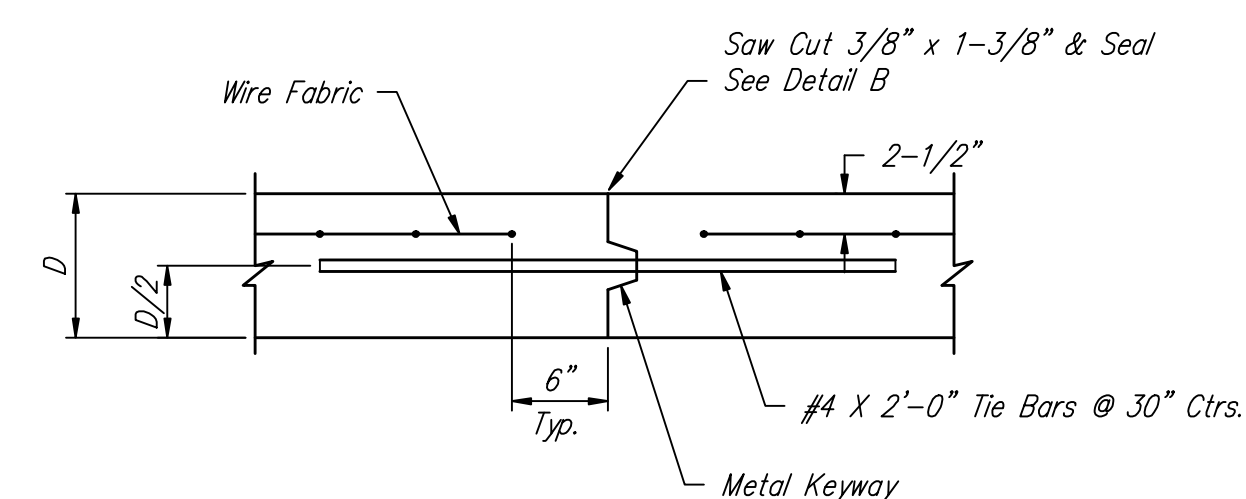
KEYWAY DETAIL



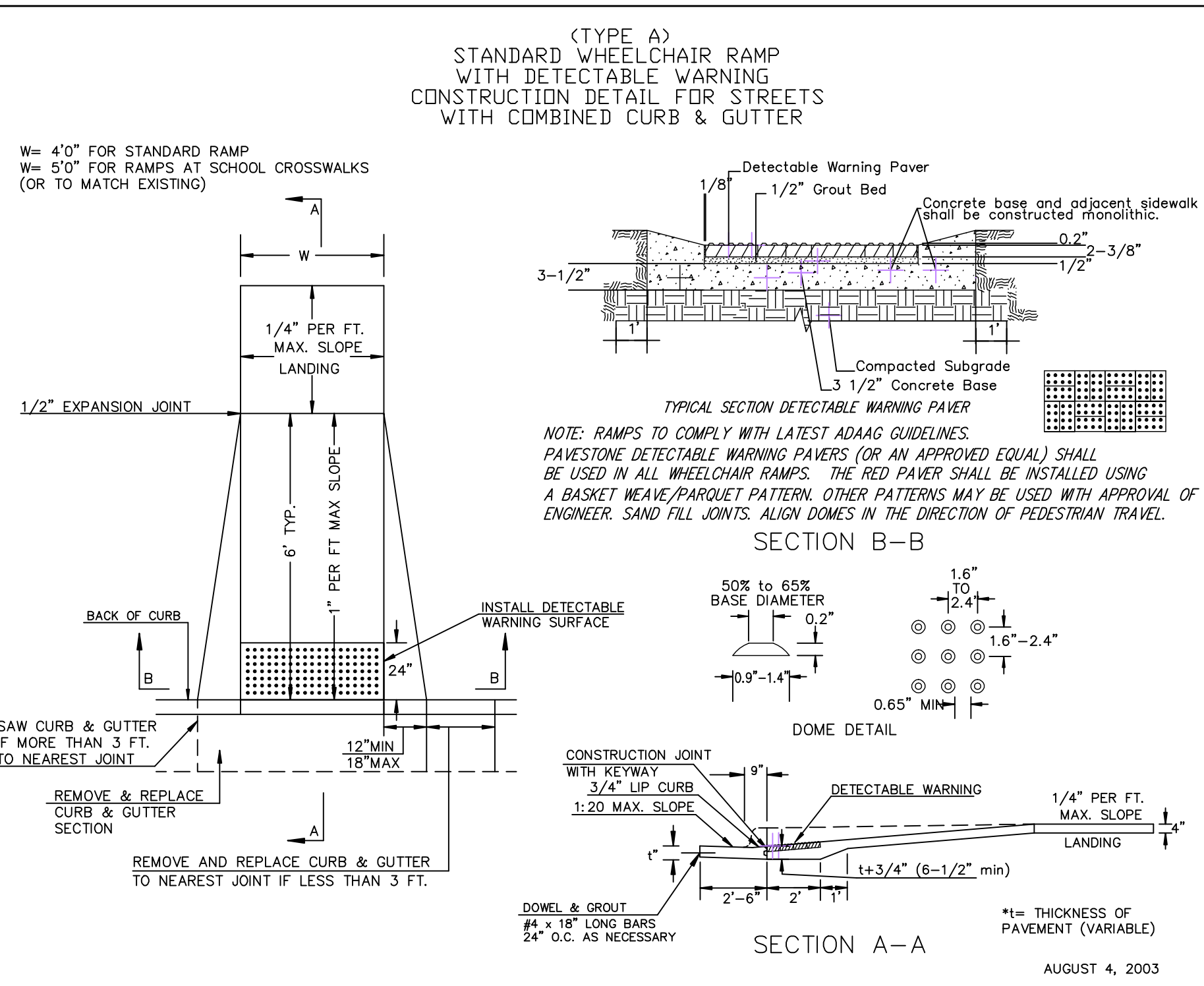
CONTRACTION JOINT DETAIL (C.J.)



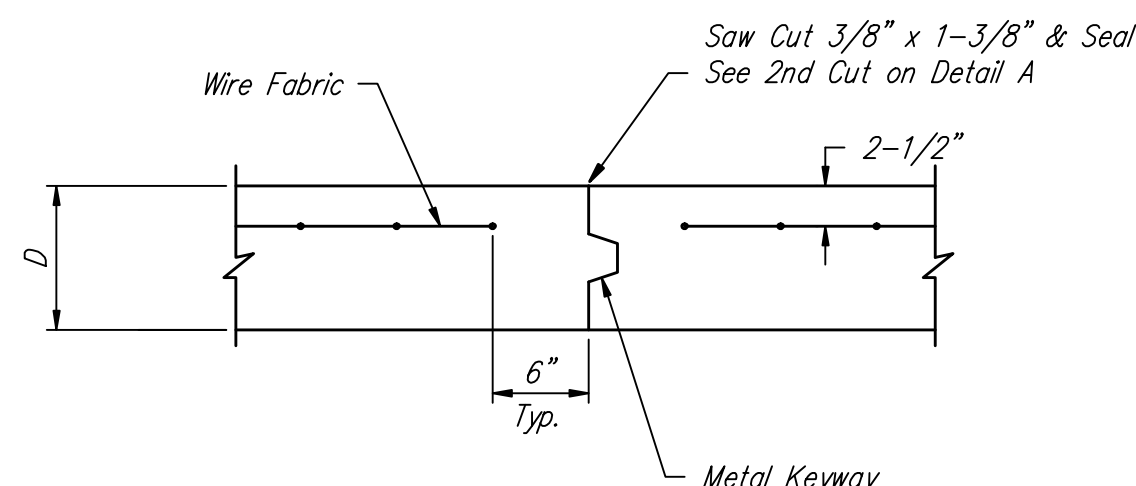
LONGITUDINAL JOINT DETAIL (L.J.)



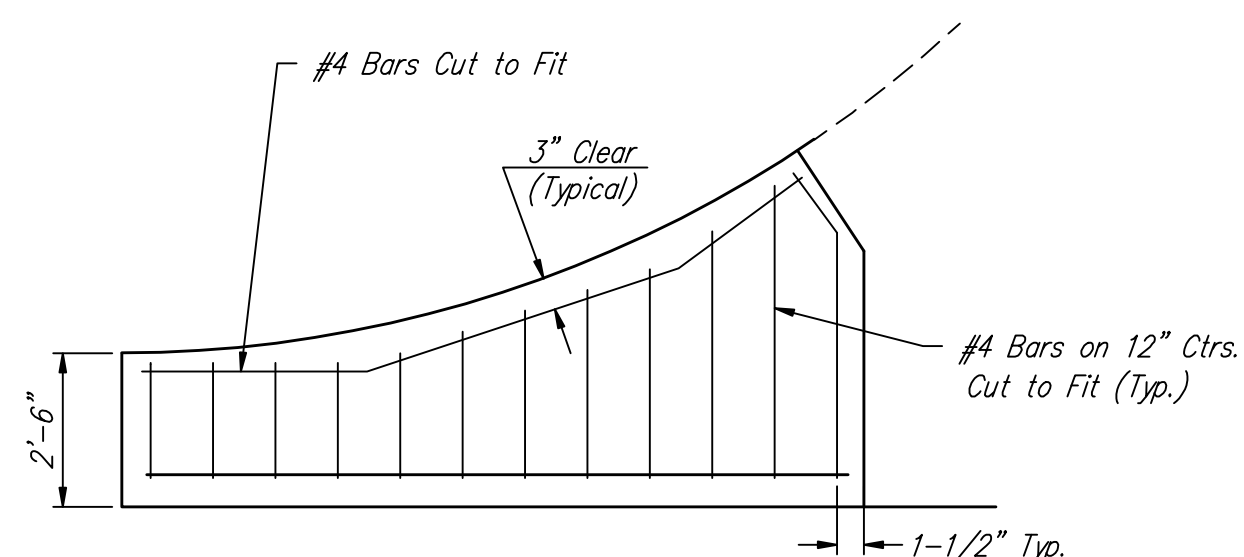
OPTIONAL LONGITUDINAL JOINT DETAIL (L.J.) (CONSTRUCTION JOINT)



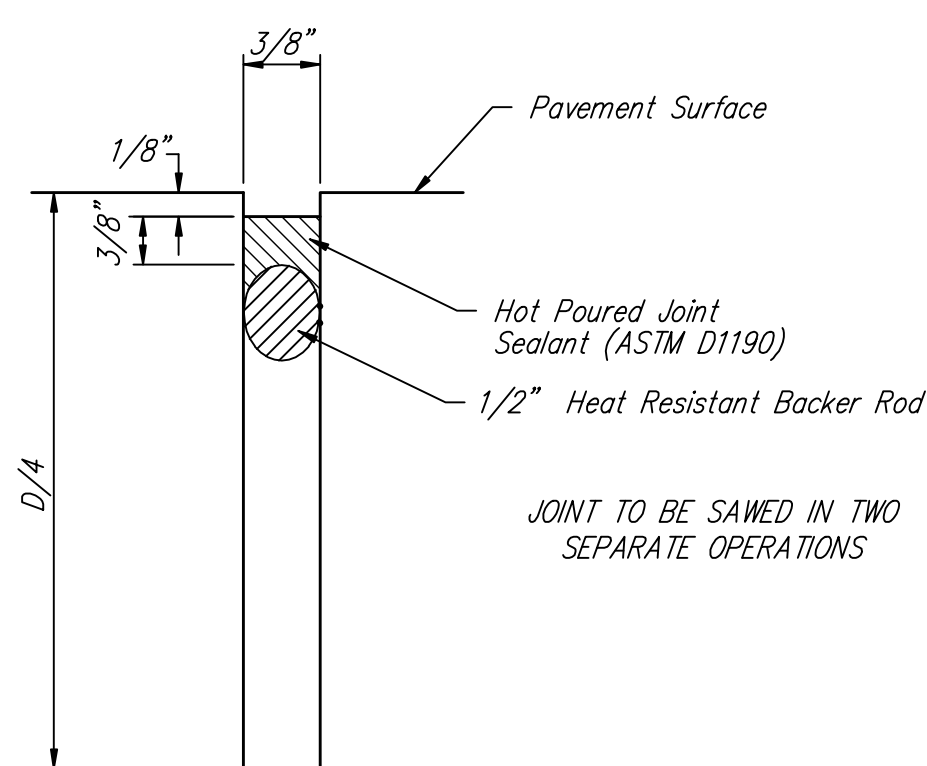
WHEELCHAIR RAMP DETAIL



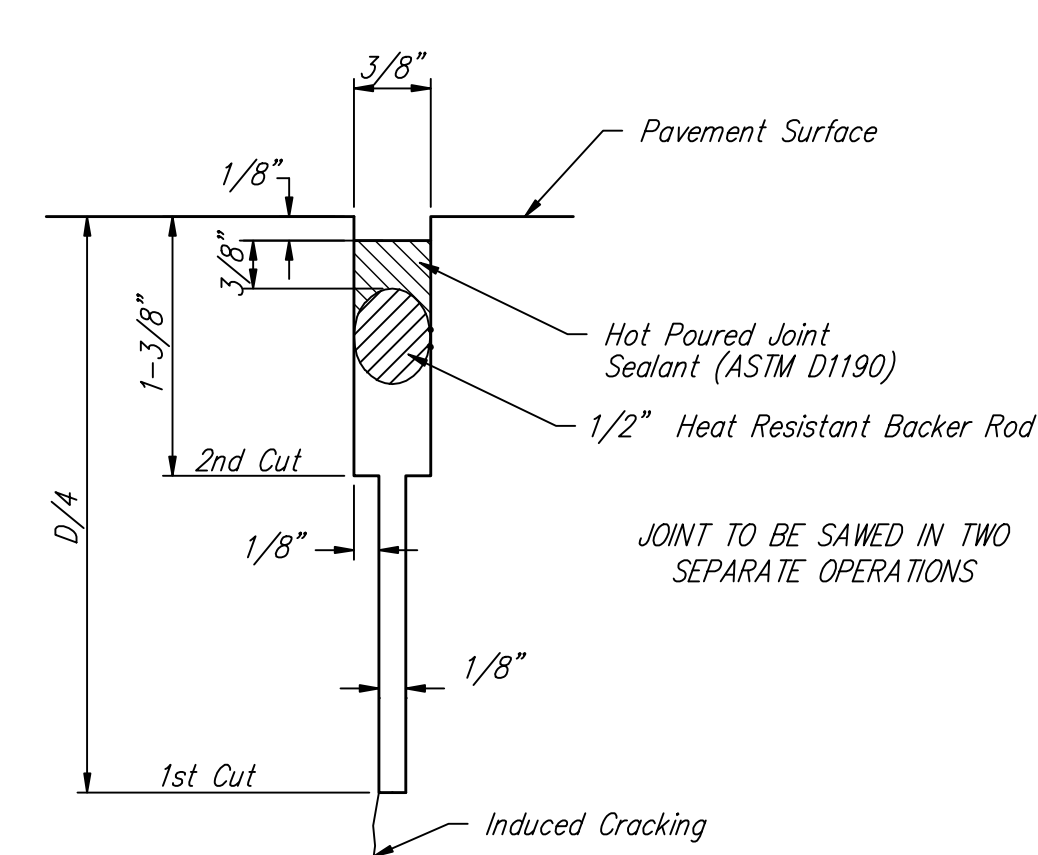
OPTIONAL CONTRACTION JOINT (CONSTRUCTION JOINT)



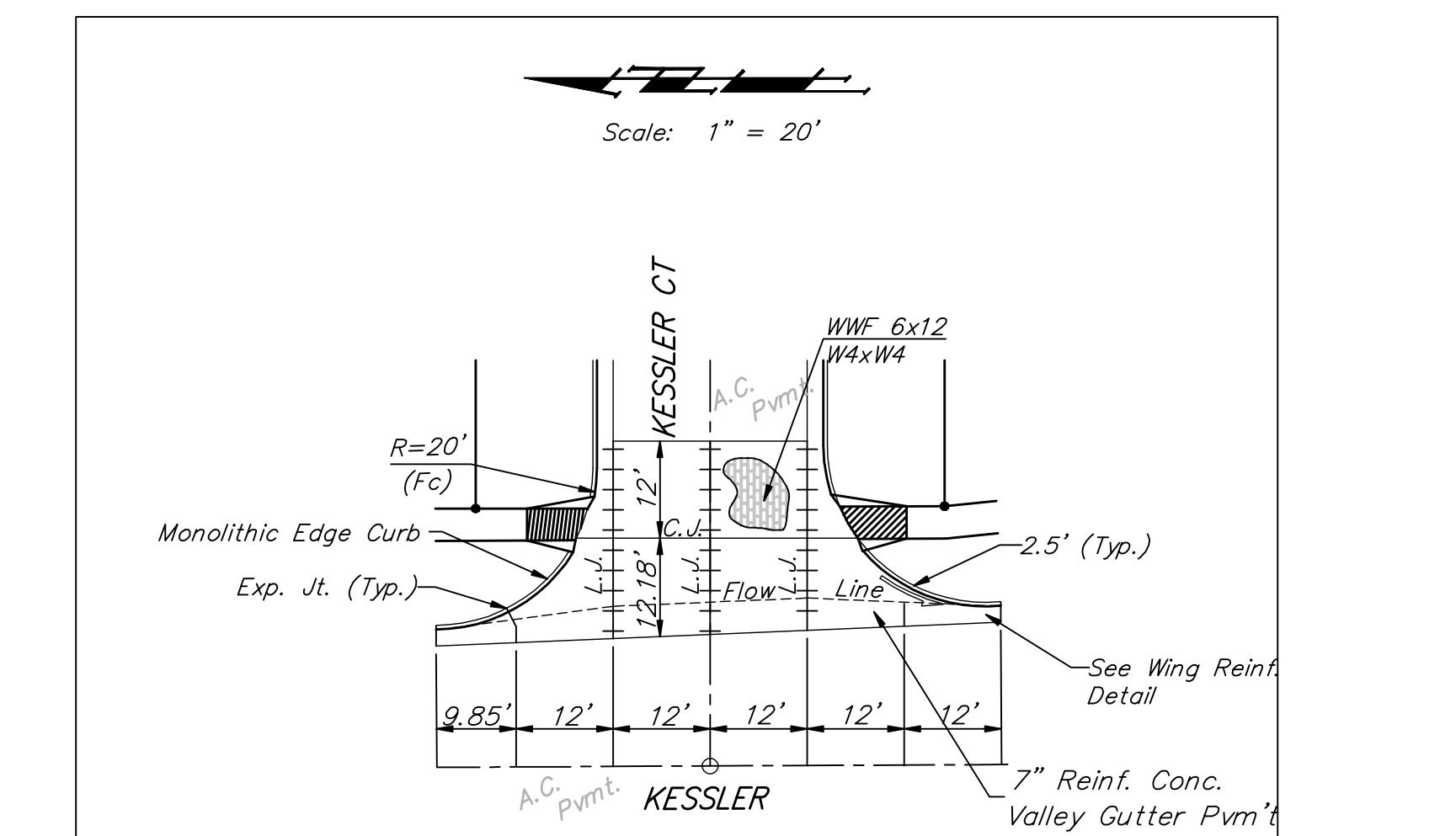
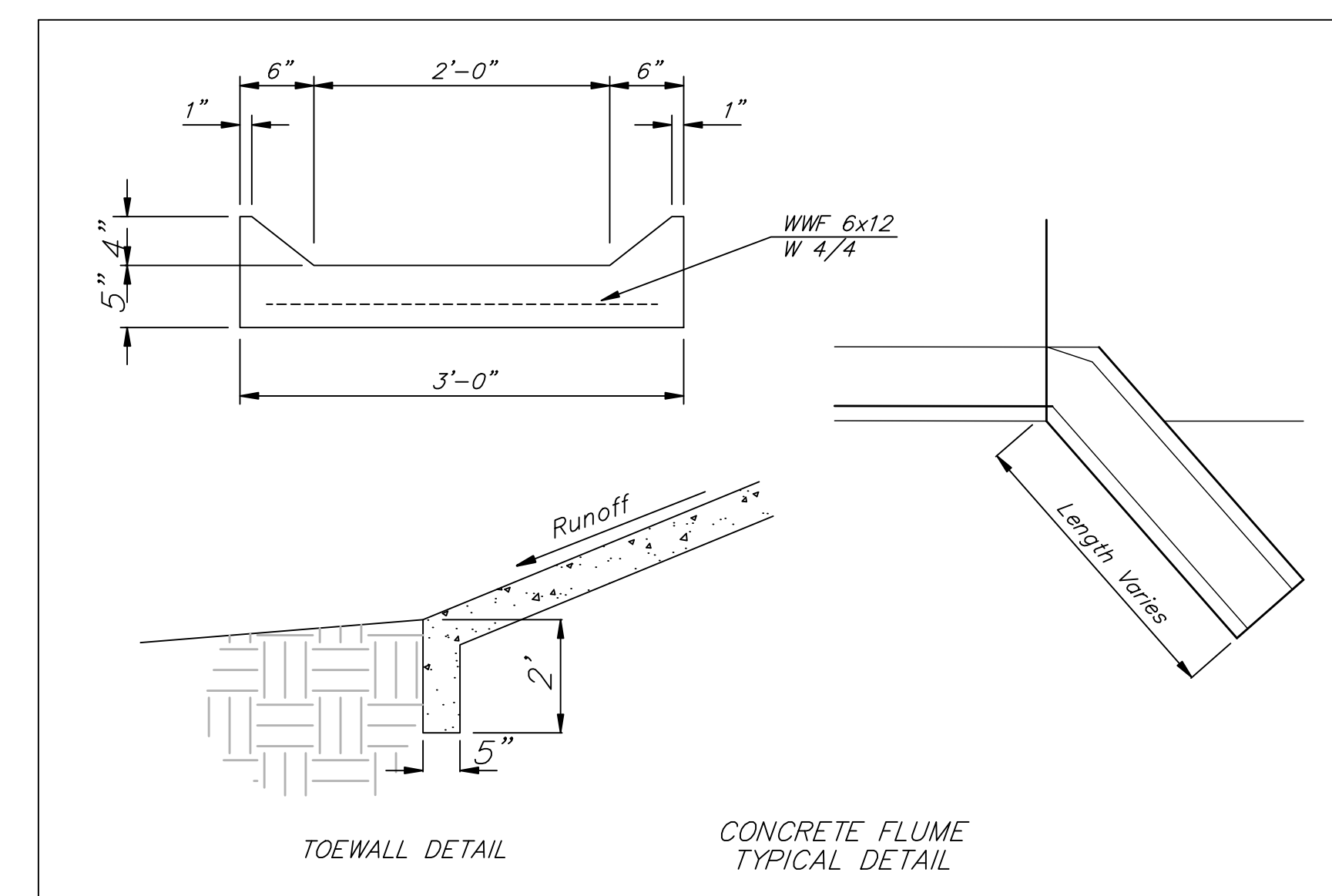
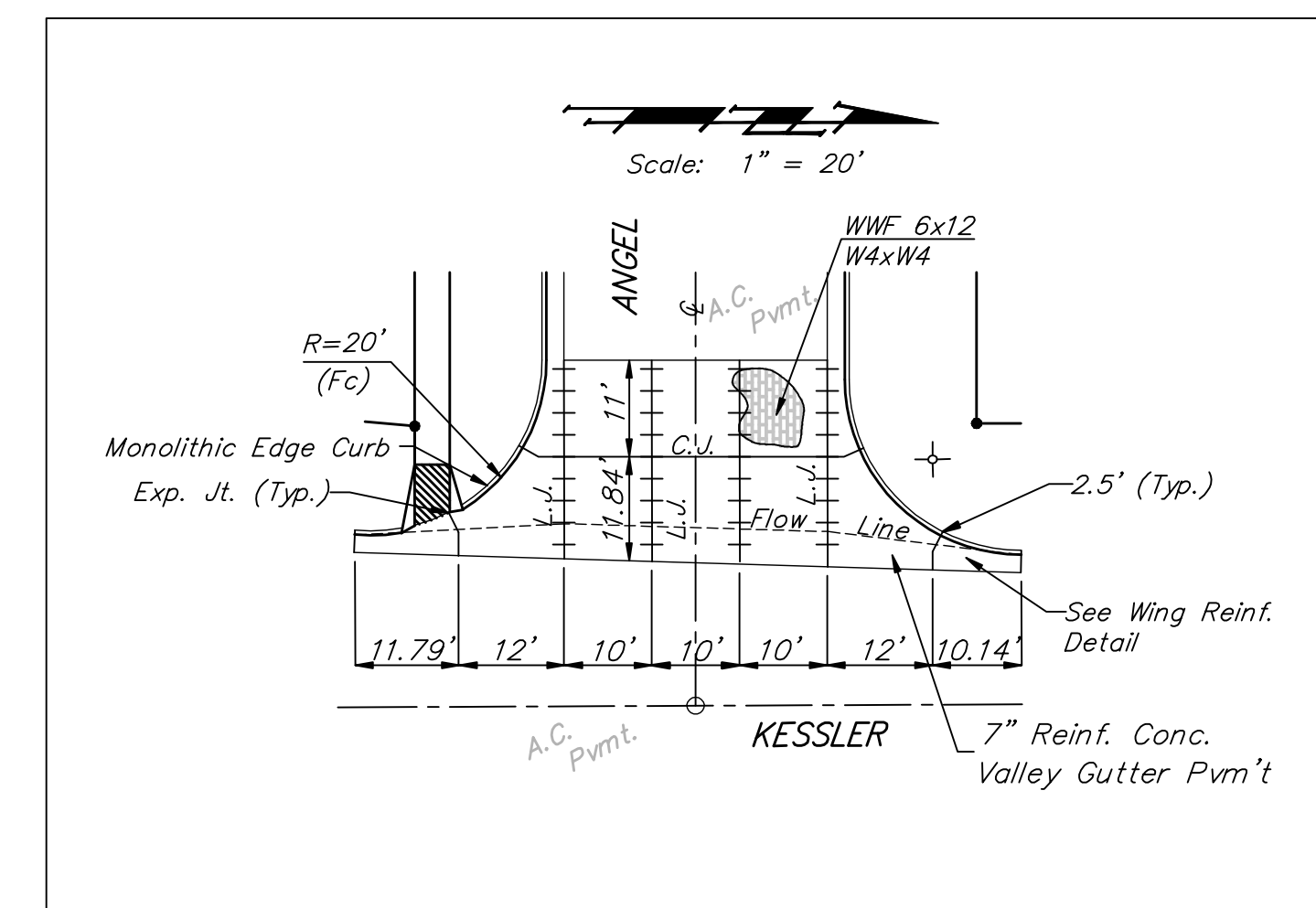
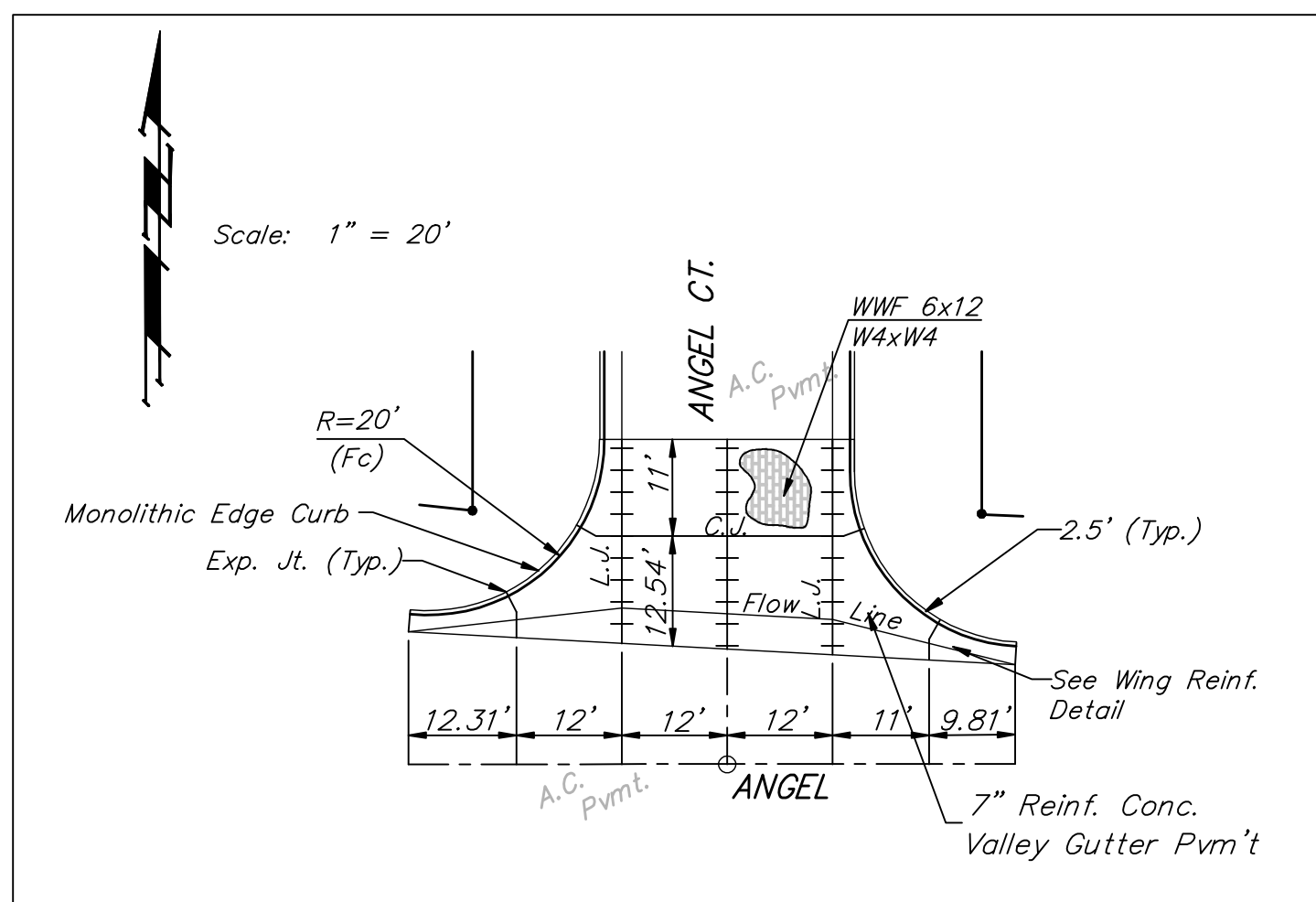
WING REINFORCING DETAIL



SAW JOINT DETAIL "B"



SAW JOINT DETAIL "A"



NOTE: 6" X 12" W4XW4 Wire Fabric Reinforcing Shall Be Placed So That The Wires With The 6" Spacing Will Run Parallel With The Longitudinal Joints.

<p>ANGEL FIRE ADDITION PH. 2 MISCELLANEOUS DETAILS Streets / SWB Improvements</p>		<p>PROJECT NUMBER 420005</p>	<p>DESIGN ABO</p>	<p>DRAWN TNT</p>
		<p>REVISIONS:</p>	<p>APPROVED ABO</p>	<p>DATE 05/12/2010</p>
<p>SCALE NONE</p>		<p>SHEET 6 OF 46</p>		<p>10/03/2006</p>