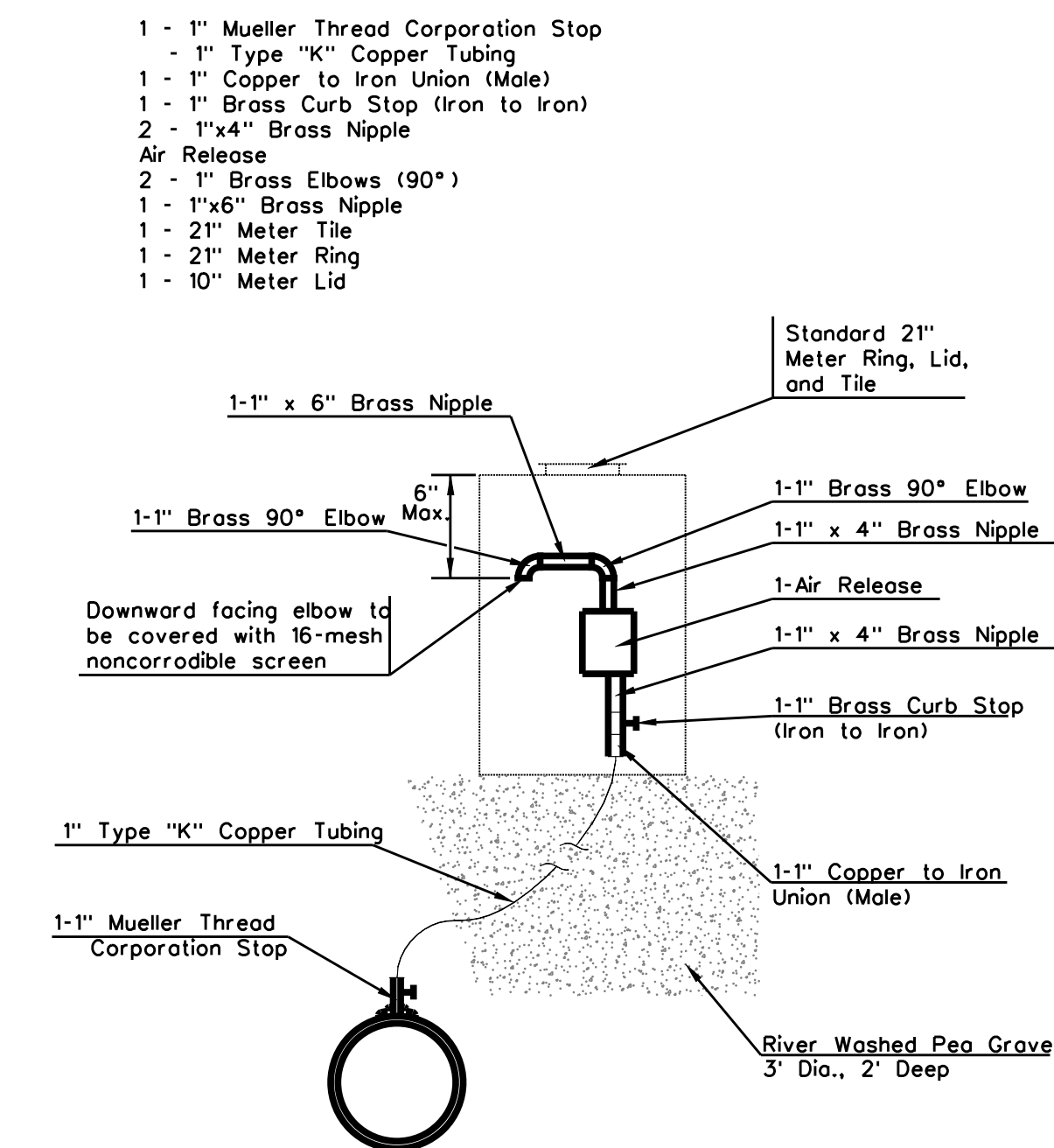


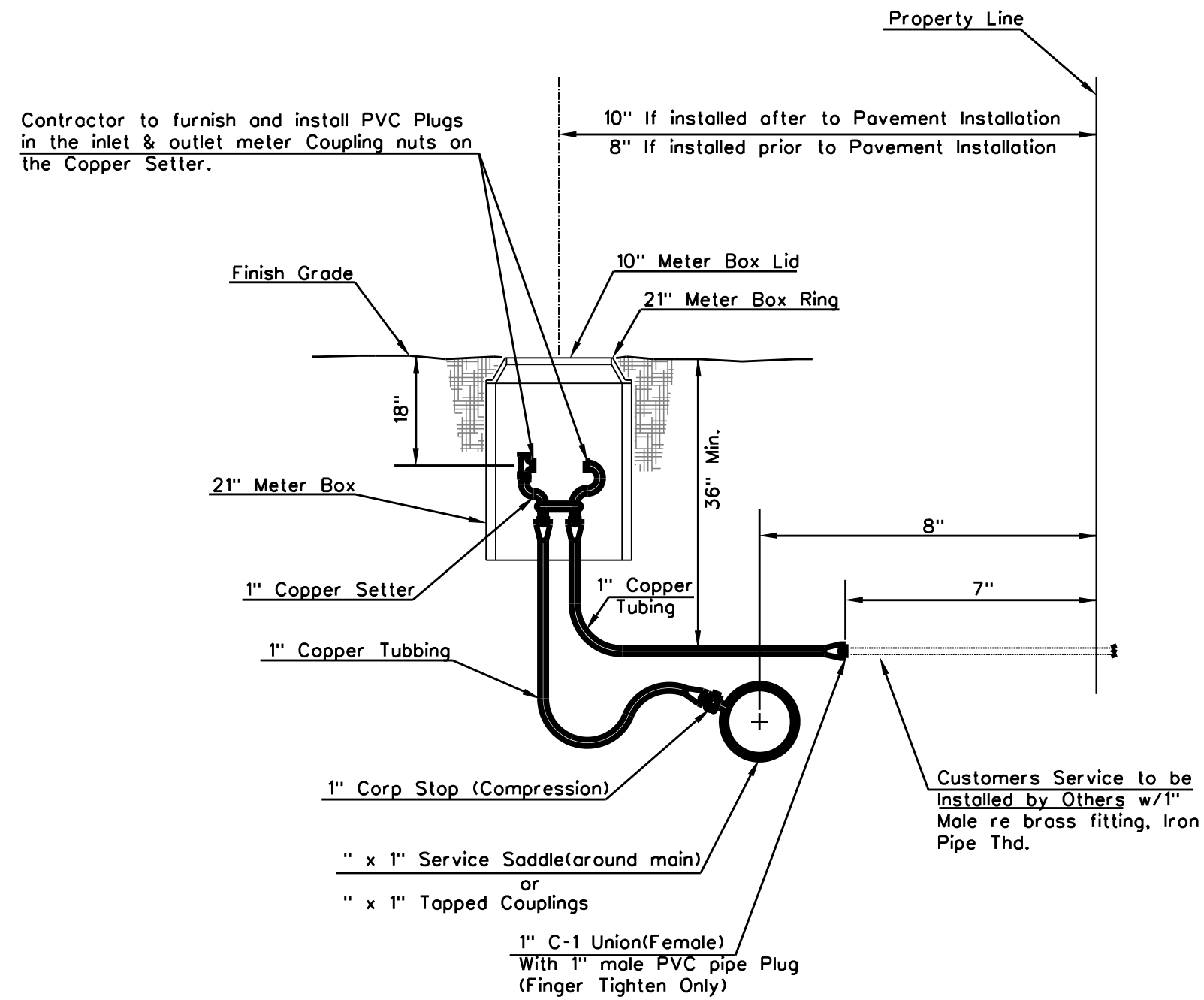
Note: Service Saddles are not required on top of 8" mains or larger

Meter boxes will be located on each lot to be served, as indicated in the SPECIAL PROVISIONS

**TYPICAL METER SETTING
LONG SERVICE 1"**



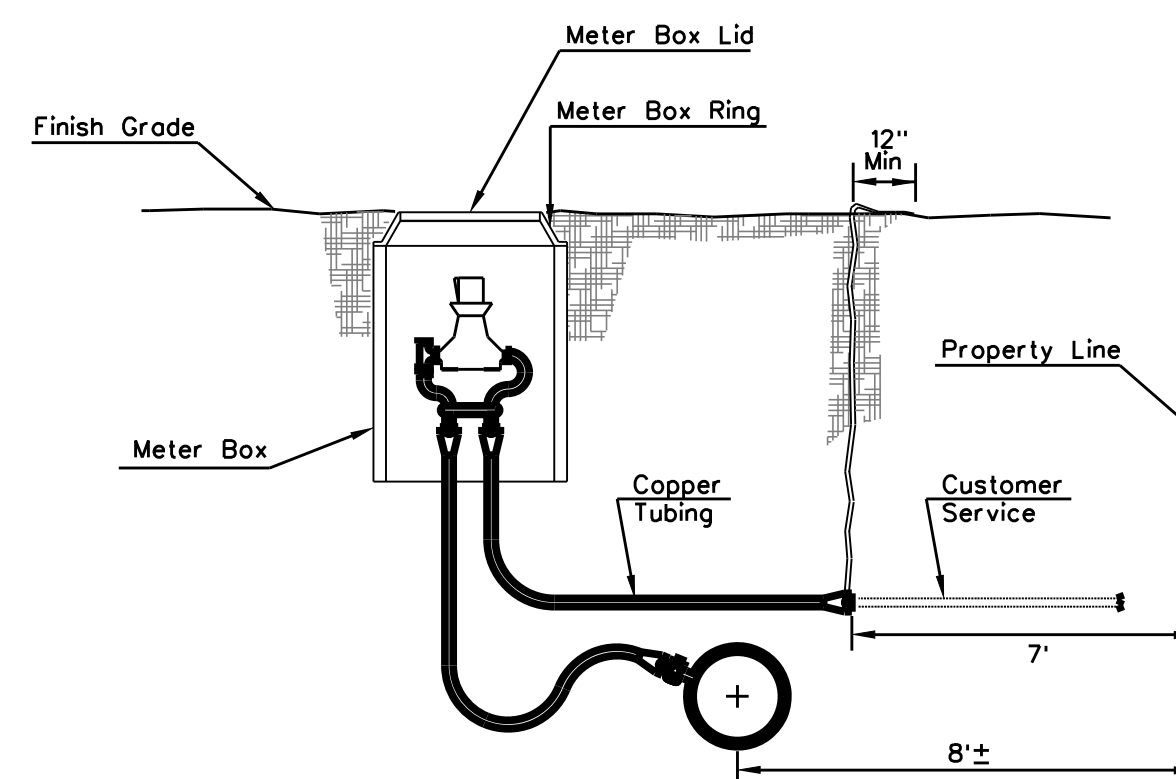
MATERIALS FOR AIR RELEASE ASSEMBLY



Note: Service Saddles are not required on top of 8" mains or larger

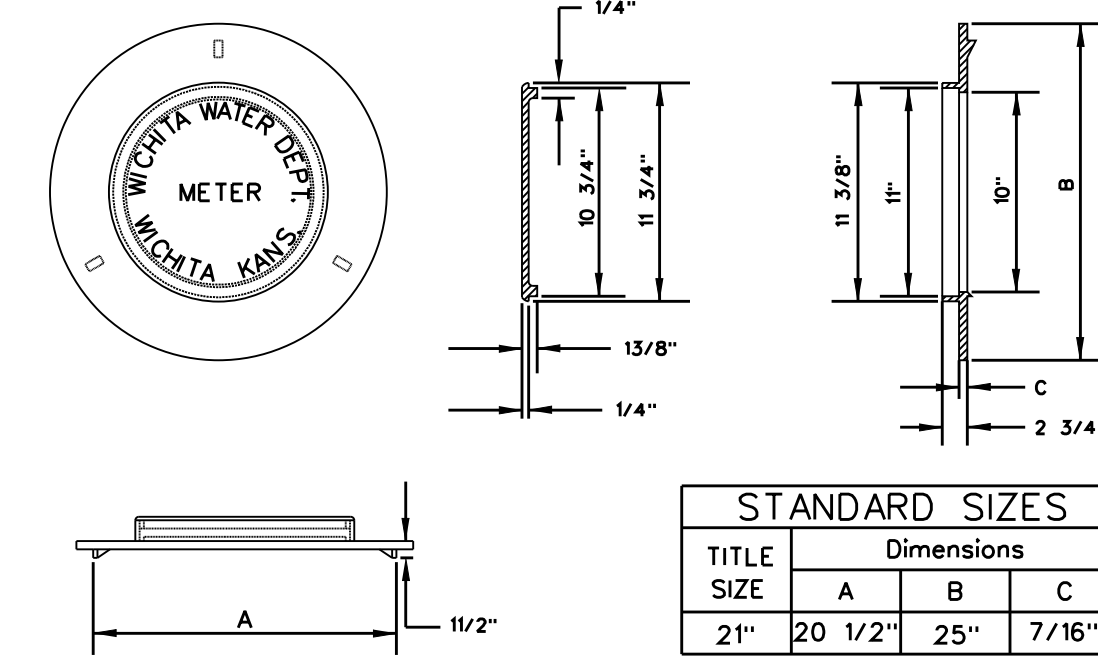
Meter boxes will be located on each lot to be served, as indicated in the SPECIAL PROVISIONS

**TYPICAL METER SETTING
SHORT SERVICE 1"**



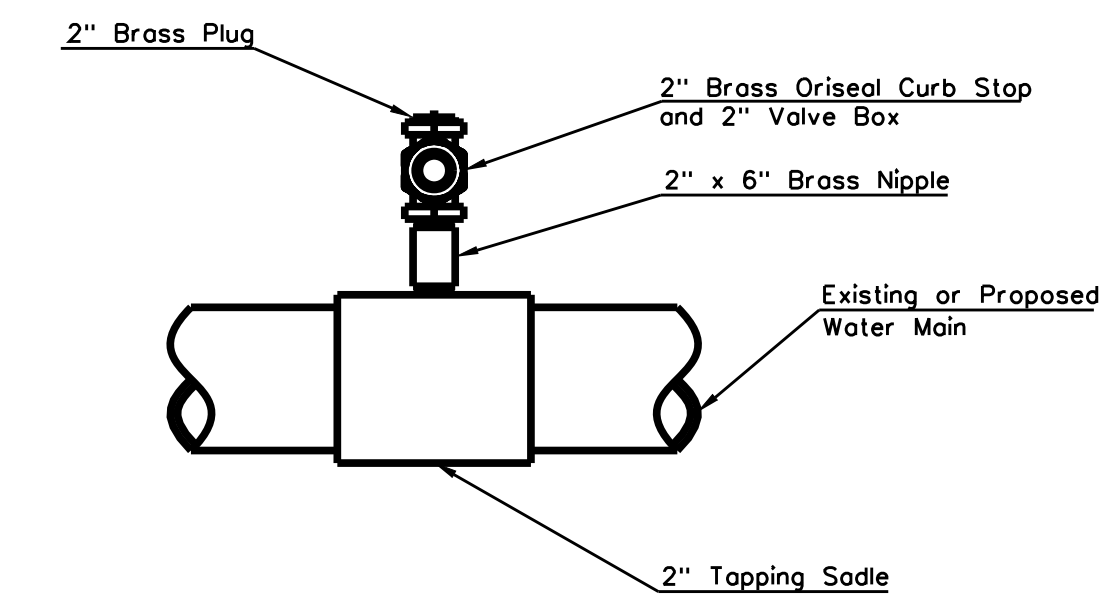
If customers service line is not installed at the time Meter Box and Setter are installed, Plastic Flagging is to be tied to the end of copper tubing & brought straight up to top of ground and be exposed a minimum of 12" on top of ground. (Plastic Flagging to be Furnished by Contractor)

**TYPICAL METER SETTING
PLASTIC FLAGGING**



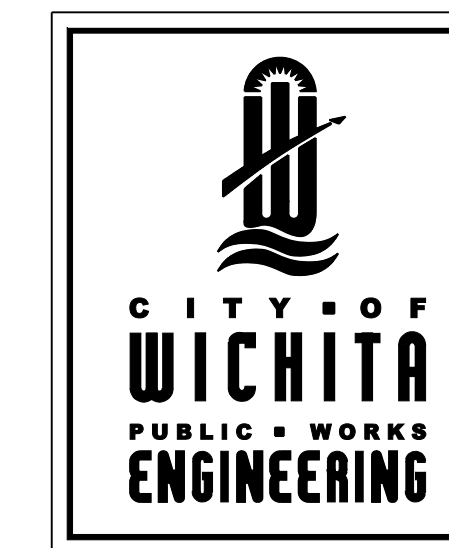
Other Approved Ring And Lids: Ford Meter Box Co. Inc. 21" Ring & Lid Catalog No. C-4

RING & LID FOR METER VAULTS



Note: Where the 2" service outlet assembly is to be used to connect a 2" main to another main, the 2" valve shall be a 2" IPT Gate Valve. 2" Ball or Globe valve shall not be approved for this use.

2" SERVICE OUTLET ASSEMBLY



REVISED APR 97

STANDARD WATER SERVICE DETAILS

CITY ENGINEER
JAMES L. ARMOUR, P.E., L.S.

| | | |
|----------------------------|----------------------|-----------------|
| PROJECT NUMBER XXX-XXXX | OCA NUMBER XXXXXX | DATE MM/YY |
| DESIGN ABC | DRAWN DEF | SHEET X OF X |

CITY ENGINEER'S OFFICE
CITY HALL - SEVENTH FLOOR
455 NORTH MAIN STREET
WICHITA, KANSAS 67202-1620
(316) 268-4501
(316) 268-4114 FAX

Ameritrack WEST
12469 SW 15th
Benton, KS 67017
O: 316-778-2215
F: 316-778-1204

FINAL

Designed By: BLB
Drawn By: ELS
Drawing: 463-PE16-Water Details3.dgn
Date: April 6, 2010

Project No. 448-90470 OCA No. 735443

WICHITA, KANSAS
JAMES ARMOUR, P.E. - CITY ENGINEER

POE & ASSOCIATES OF KANSAS, INC.
CONSULTING ENGINEERS
5940 E. Central, Suite 200 Wichita, KS 67208-4282
Phone 316/685-4114 FAX 316/685-4444

RE

Revision
Approved
Date
By
No.

Sheet
6 of 14