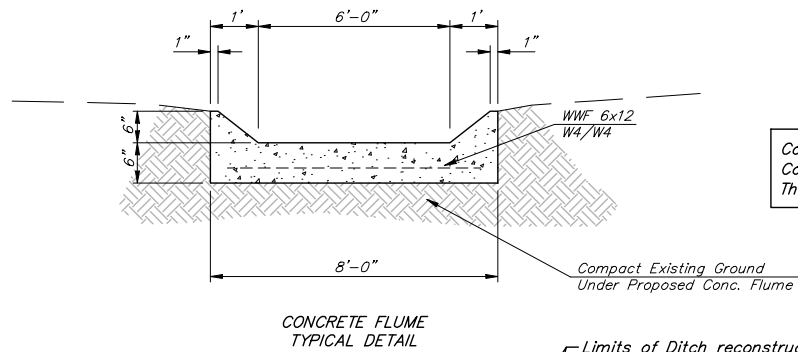


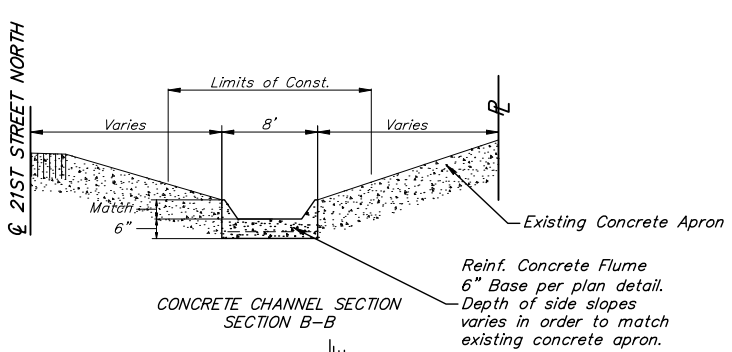
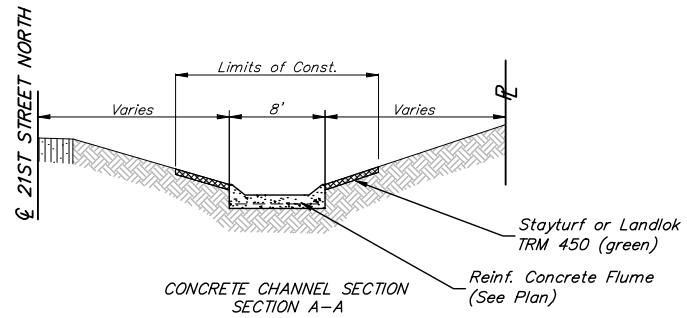
**BENCHMARKS:**

BM #1: "□" Cut in Top of Curb, West Curb Adjacent to Lot 2, Timber Ridge 3rd Addition. Elev. = 1347.41 M.S.L.

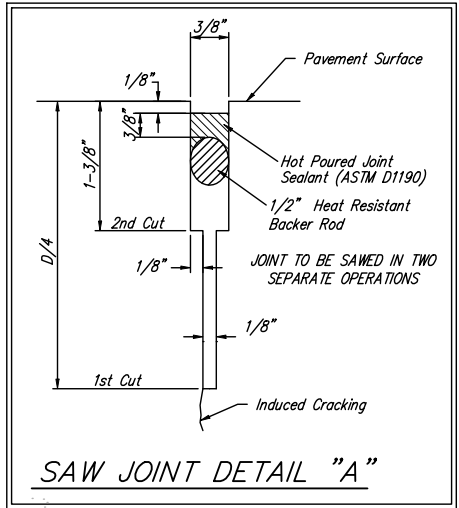
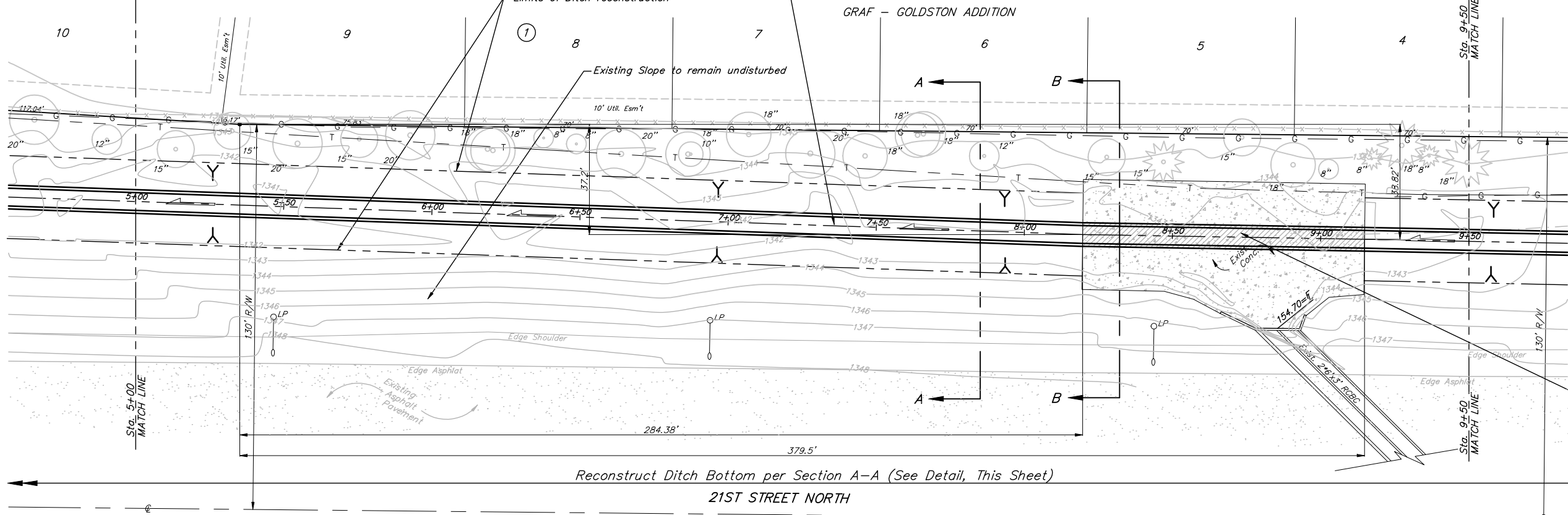
BM #2: "□" Cut in Top of Curb East End of Center Median in 21st Street North, West of Drainage Dedication. Elev. = 1350.18 M.S.L.



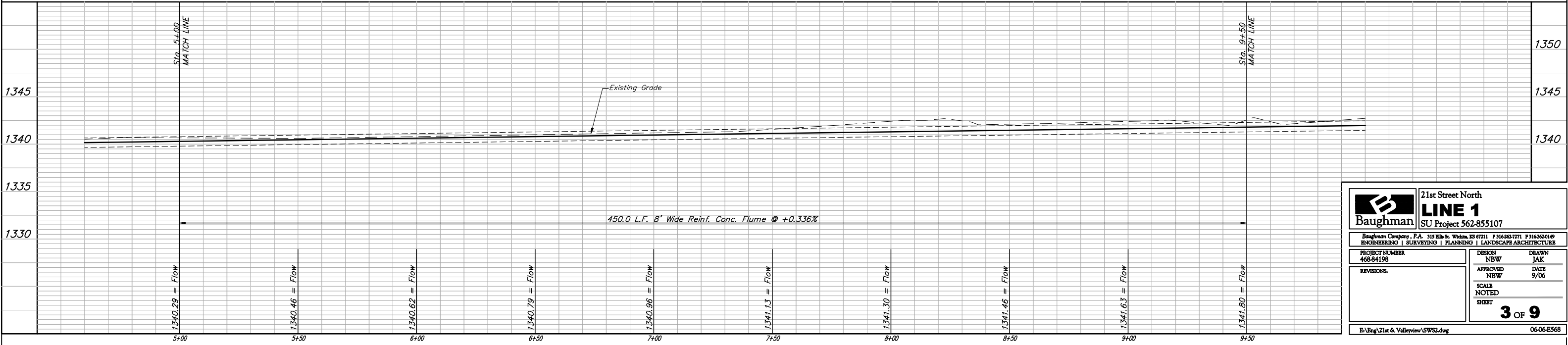
Construct 8' Wide Reinf. Concrete Flume (6") (See Detail, This Sheet)



SCALE:  
1" = 20' HORIZONTAL  
1" = 5' VERTICAL  
• = IRON



Sta. 8+19.7 to Sta. 9+14.8  
Saw cut a neat line and remove existing concrete apron as indicated. Construct 8' Wide Reinf. Concrete Flume (6") (See Detail, This Sheet) Transition side slope smoothly to match existing concrete as shown in Concrete Channel Section B-B. Install #4 dowel bars into existing concrete apron.



		21st Street North	
		<b>LINE 1</b>	
PROJECT NUMBER 468-84198		SU Project 562-855107	
DESIGN NBW		DRAWN JAK	
APPROVED NBW		DATE 9/06	
REVISIONS		SCALE NOTED	
		SHEET <b>3 OF 9</b>	
E:\Eng\21st & Valleyview\SW2.dwg		06-06-E568	