

GENERAL NOTES

UNIT STRESSES: Grade 4.0 Concrete, $f'c = 4,000$ p.s.i.
Reinforcing Steel, $f_y = 60,000$ p.s.i.

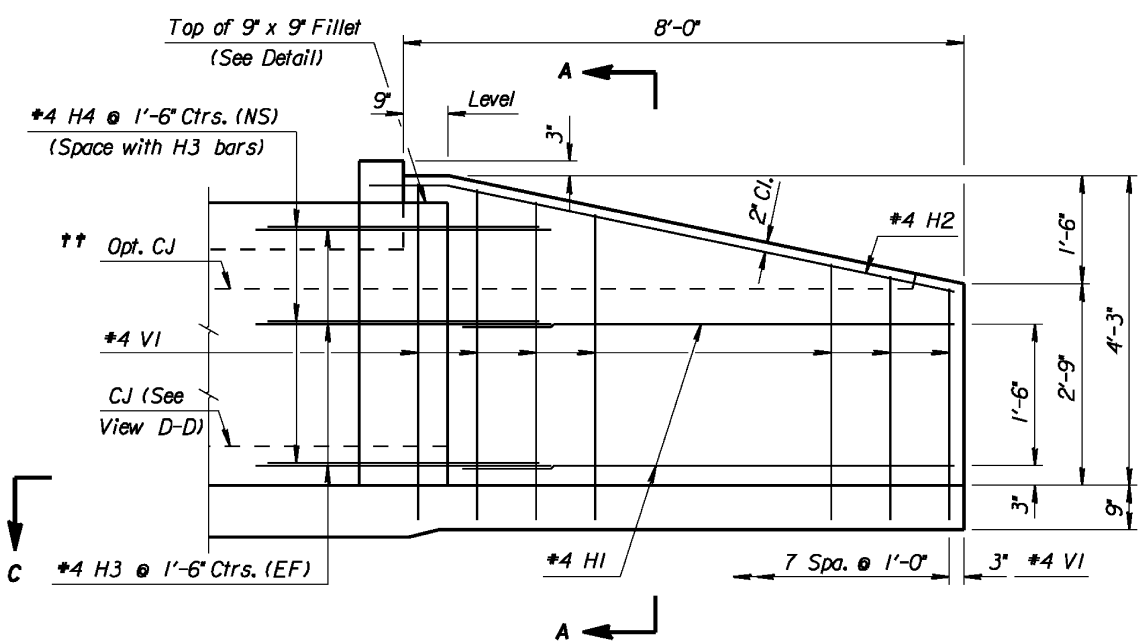
CONCRETE: Grade 4.0 Concrete shall be used throughout. Bevel all exposed edges with a $\frac{3}{4}$ inch triangular moulding.

REINFORCING: All reinforcing shall conform to ASTM A615, Grade 60. Welded Wire Fabric shall conform to ASTM A185. All dimensions relative to reinforcing steel shall be to center-line of bar unless otherwise noted.

QUANTITIES: Wingwall Quantities include all quantities outside the neat lines of the box, excluding the hubguard.

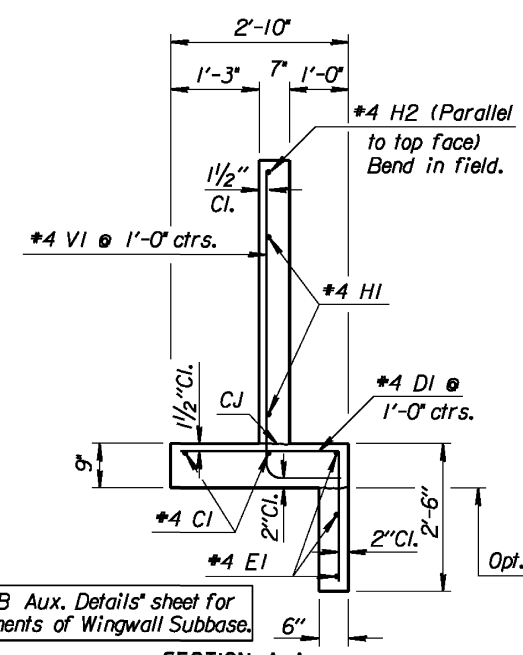
APRON: A 5" concrete slab shall be constructed between the downstream wings in locations subject to scour only when specified on the plans or by the Engineer. Wire Reinforcing mesh shall be electrically welded and shall be composed of 6 x 6-W1.4 x W1.4 welded wire fabric and shall be classified as pounds of reinforcing.

FOUNDATION AND BACKFILL MATERIAL: Soils Judged as high plasticity clays, fat clays, expansive clays, or organic clays are unsuitable for foundation and/or backfill material for wingwalls and will not be used. Where these conditions exist, Foundation Stabilization and/or Granular Backfill (Wingwalls) shall be used as determined by the Engineer. See "RCB Auxiliary Details" sheet for additional details.



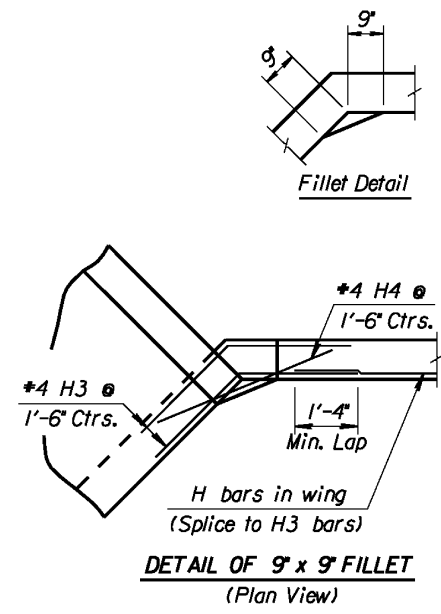
ELEVATION OF WINGWALL
(Backface Shown)

†† See RCB Details for location of construction joint.



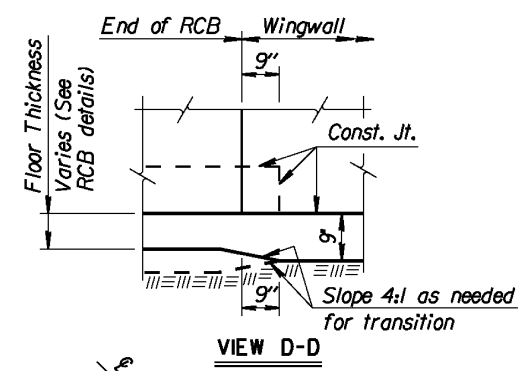
SECTION A-A

See "RCB Aux. Details" sheet for requirements of Wingwall Subbase.

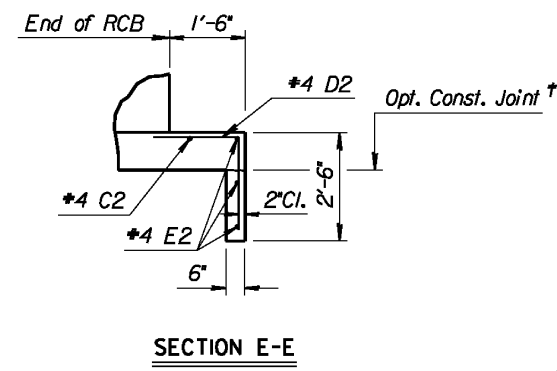


DETAIL OF 9' x 9' FILLET
(Plan View)

† NOTE: Const. Jt. may be used at Contractor's option when approved by the Engineer. DI bars or mesh may be spliced thus: Minimum overlap shall be 1'-3". No increase in quantities or cost shall be allowed when Contractor elects this option.

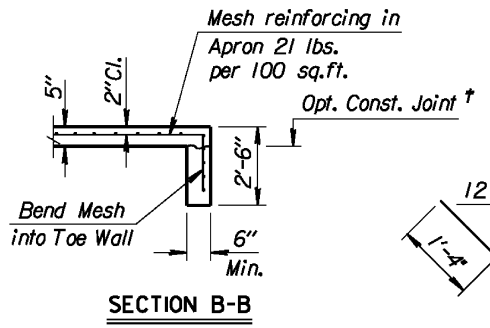


VIEW D-D

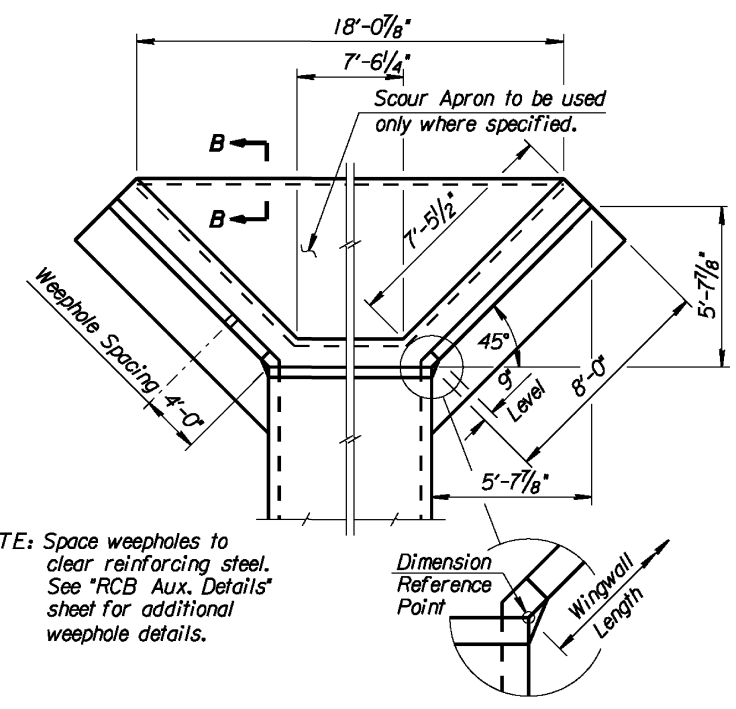


SECTION E-E

NOTE:
EF = Each Face
NS = Near Side
FS = Far Side
CJ = Const. Joint



SECTION B-B

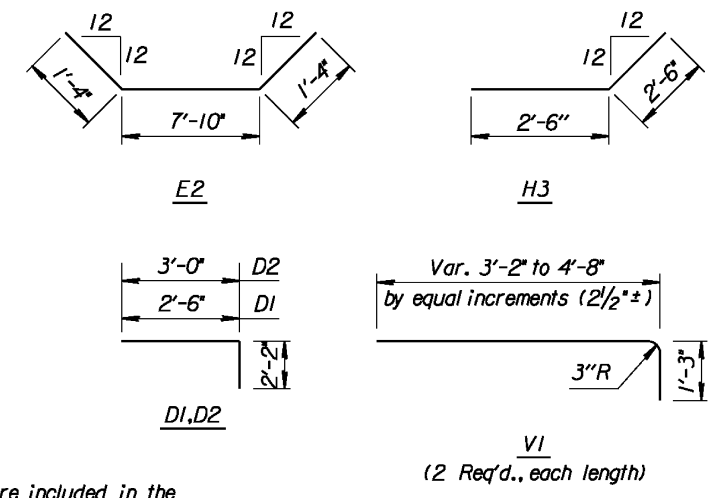


WING DIMENSIONS FOR NORMAL BOX
($3\frac{1}{2}$:1 Embankment Slope)

NOTE: Space weepholes to clear reinforcing steel. See "RCB Aux. Details" sheet for additional weephole details.

Quantities listed below are included in the Summary of Quantities shown on the RCB details.

WINGWALL QUANTITIES (One End Only)	
Concrete (Grade 4.0):	
Wingwalls	3.71 CY.
Apron	1.74 CY.
Soil Saver	0.00 CY.
Reinforcing Steel	
	290 Lbs.
Welded Wire Fabric	
	24 Lbs.



BENDING DIAGRAM

(All dimensions are out to out of bars.)

NOTE: Reinforcing Bar List is for both wings at one end of box only.

0° Skew	No.	#4C1	#4D1	#4E1	#4C2	#4D2	#4E2	#4V1	#4H1	#4H2	#4H3	#4H4
		Length	9'-10"	4'-8"	7'-3"	8'-8"	5'-2"	10'-6"	*	6'-10"	8'-9"	5'-0"

* See Bending Diagram

KANSAS DEPARTMENT OF TRANSPORTATION

FLARED WINGWALL
3 ft Rise (0°SKEW)

BR 10.00.03 Sedgwick Co.

DESIGNED	TRACED	QUANCK.	TRACE CR.
----------	--------	---------	-----------