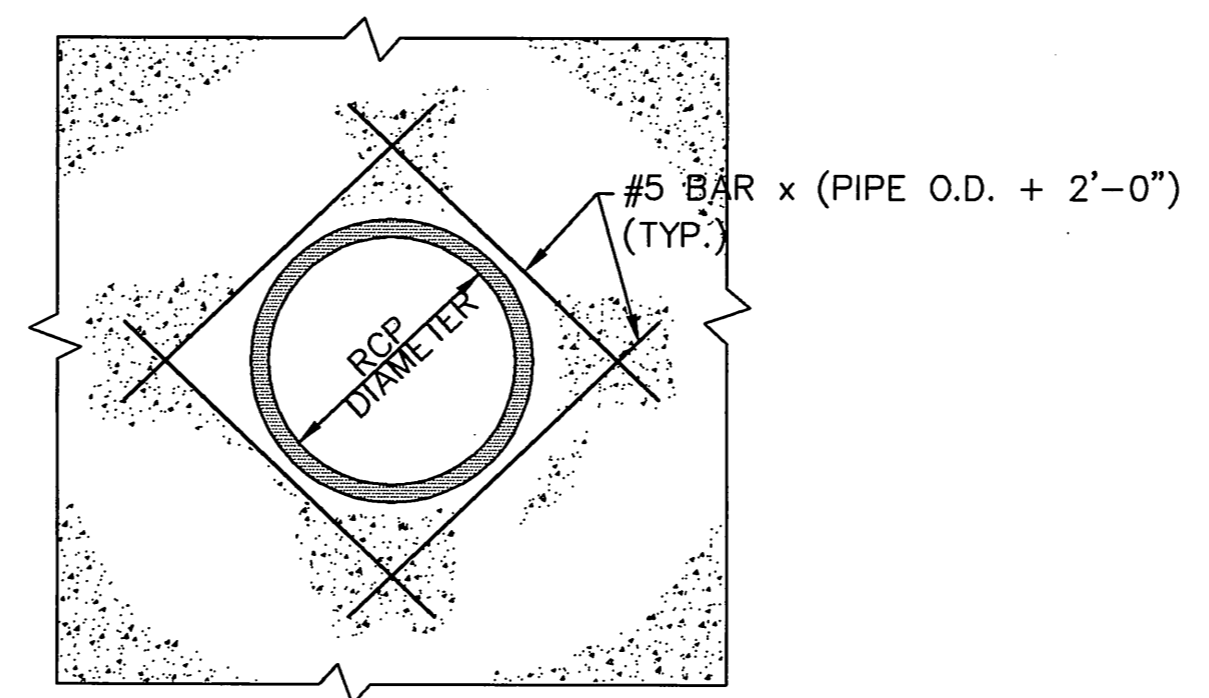
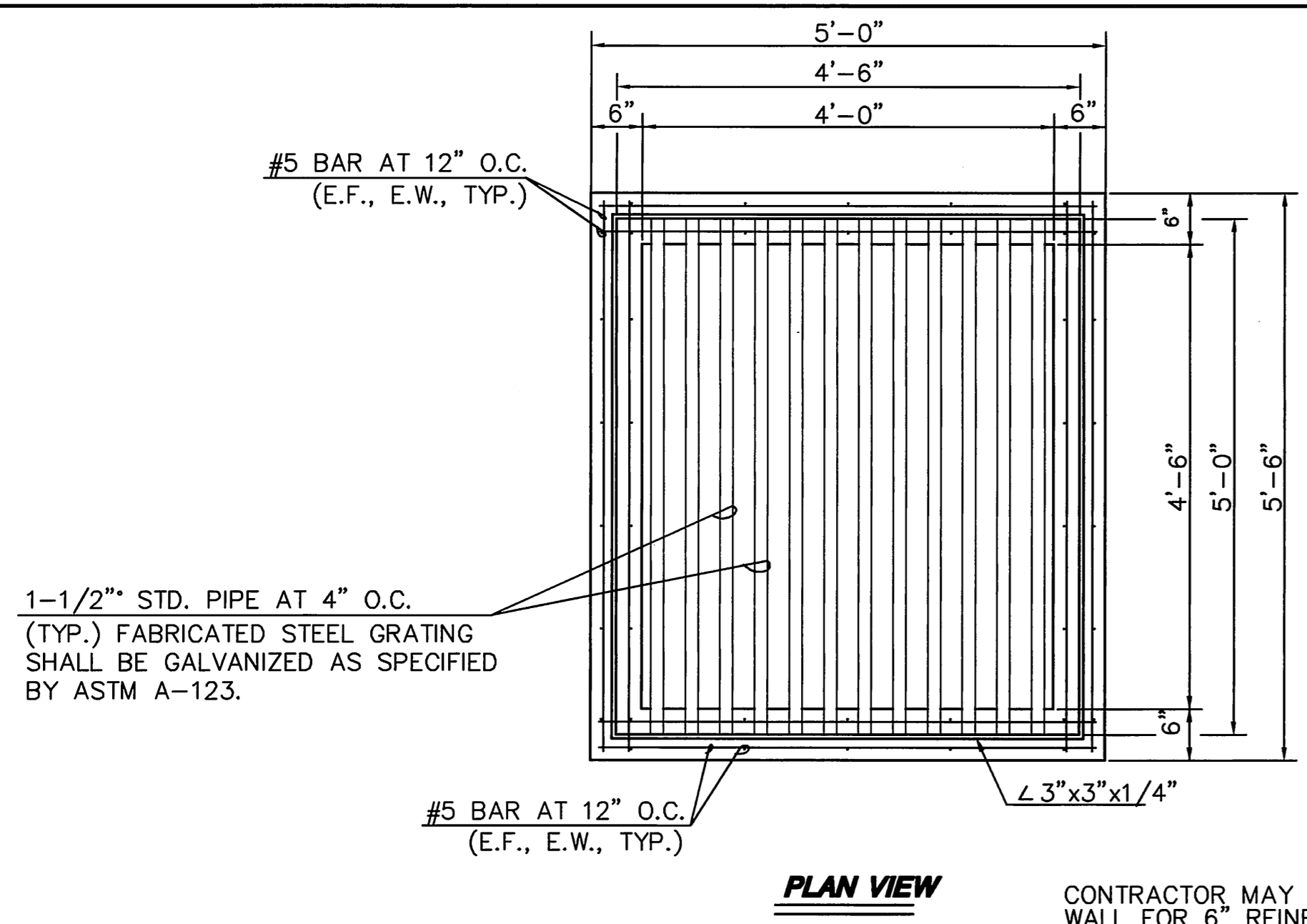


**MAPLE STREET & MAPLE DUNES  
STORM WATER SEWER  
& CHANNEL IMPROVEMENTS**

PLAN, PROFILE AND DETAIL SHEET



NOTE:  
CUT REINFORCING AS REQUIRED TO CLEAR RCP.

STA. 6+99.2, 69.1 LT., LINE 1  
INSTALL 24" R.C. PIPE THROUGH  
WALL OF OPEN-TOP EXTENSION  
TOP OF PIPE=141.95  
N 10127.17  
E 9901.12

