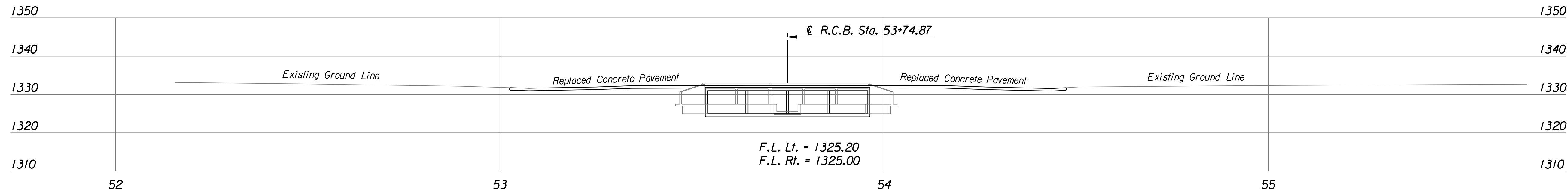


DATUM BENCHMARK:  
 C.O.W. Disk on NE corner  
 bridge at 9th St. and Westlink Avenue  
 Sta. 53+95.85 17.73' Lt. M.S.L. El. 1333.87

C.O.W. Disk on N end of concrete headwall  
 for RCB in Westlink Avenue R/W  
 Sta. 54+03.60 198.58' Lt. M.S.L. El. 1333.19

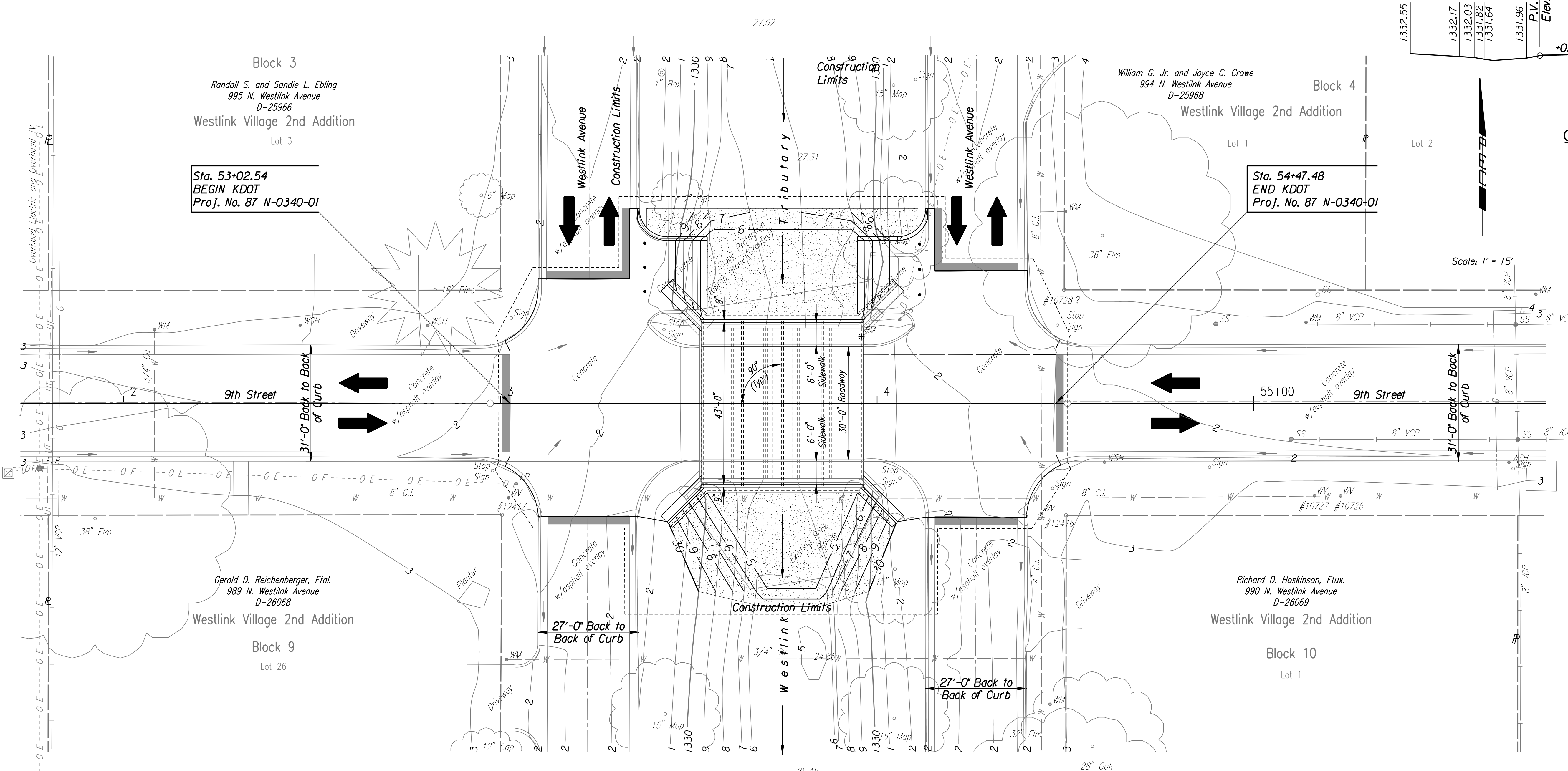
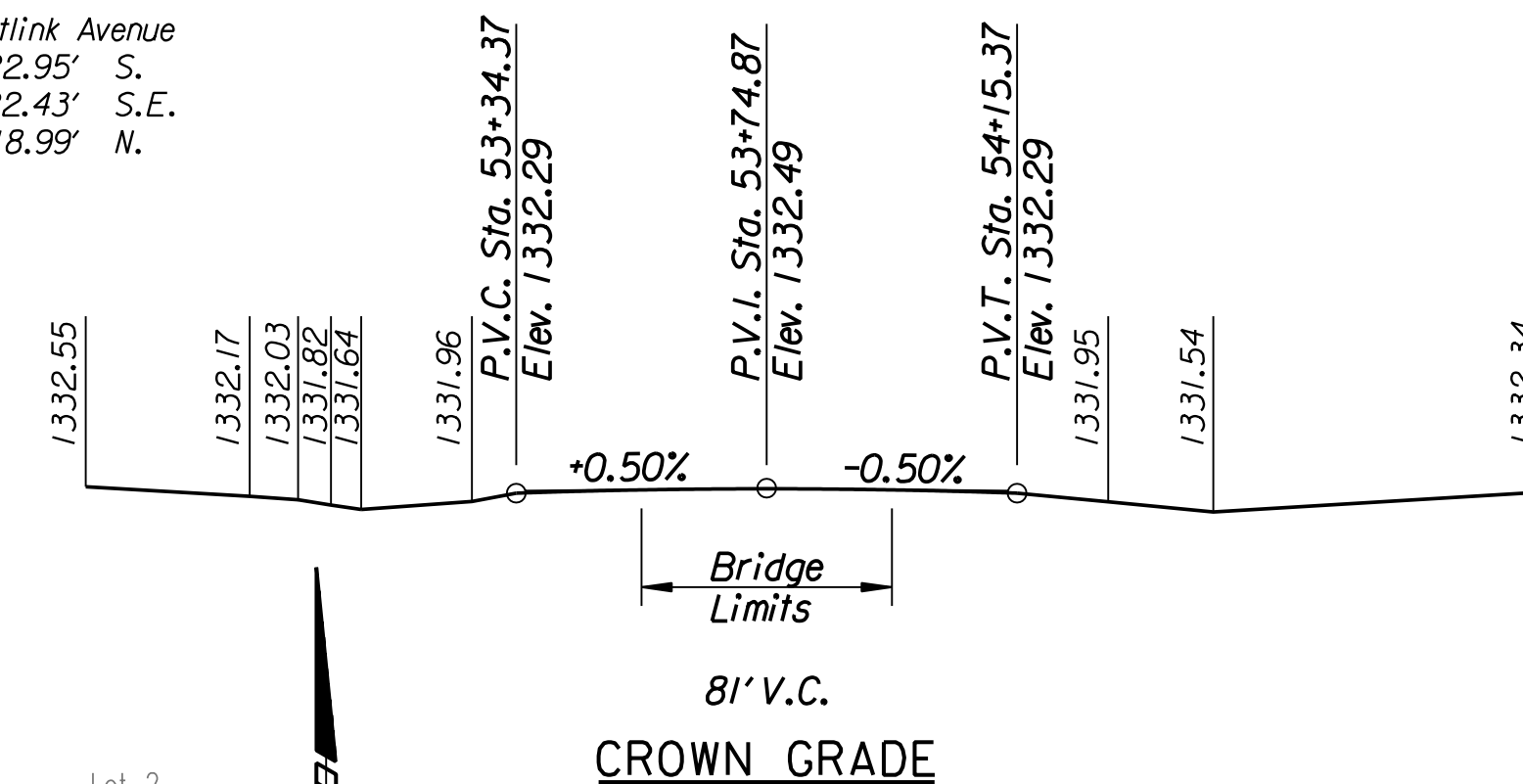
STATE	PROJECT NO.	YEAR	SHEET NO.	TOTAL SHEETS
KANSAS	472-84021	2004	12	35



P.O.T. @ Sta. 52+97.32  
 N 4999.9986, E 5297.3243  
 P.K. Nail in € of 9th St. N. at W. R/W of Westlink Avenue  
 1. Center of Street Sign Post 23.51' N.N.E.  
 2. W. Edge of Concrete Pavement 5.25' E.  
 3. Conc. Nail and Shiner in W. Face of Power Pole 22.27' S.S.E.

**ELEVATION**  
 Construct 4-10'x6'x45' R.C.B.  
 w/6' Sdwk. Lt. & Rt.  
 Skew 000'00"

P.O.T. @ Sta. 54+50.54  
 N 5000.0000 E 5450.5462  
 P.K. Nail in € of 9th Street N. at E. R/W of Westlink Avenue  
 1. € Street Sign Pole 22.95' S.  
 2. Chis. "\*" on S. Back of Curb 22.43' S.E.  
 3. € Stop Sign 18.99' N.



drawn by : wil  
 plotted by : drp 9-8-2004  
 File: I: 2004\04330\off\check\04330\_C-Layout.dgn

No.	Revisions	By	Date

CITY OF WICHITA, KANSAS  
**CONSTRUCTION LAYOUT**  
**9 TH STREET OVER**  
**WESTLINK TRIBUTARY**  
 PROJECT NO. 472-84021 SEDGWICK COUNTY

**Professional Engineering Consultants, P.A.**  
 303 S. TOPEKA • WICHITA, KANSAS 67202  
 316-262-2691 • FAX 316-262-3003

Designed by	R.A.S.	Checked by	R.A.S.
Drawn by	W.L.L.	Date	June 2004
		Job No.	04330