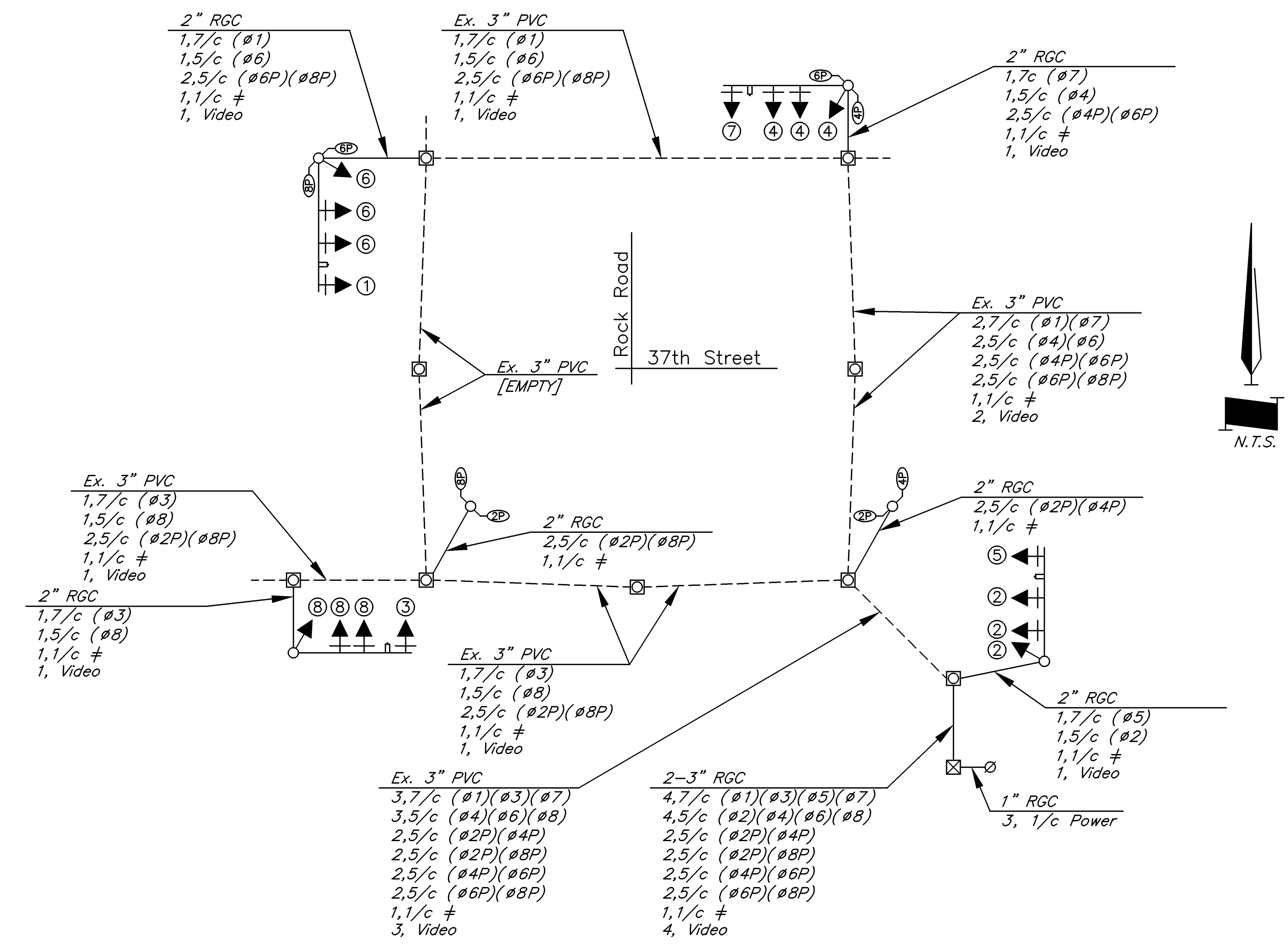


WIRING DIAGRAM

≠ Denotes #8AWG Equipment Ground



TYPE 170 CONTROLLER SETTINGS

INTERVAL	"WAPITI PROGRAM"								NORMAL DISPLAY										
	PHASE								TIME CLOCK				FEATURES						
	1	2	3	4	5	6	7	8	C				F						
MAX	0	30	80	30	80	30	80	30	80	0	YEAR	VEH	RECALL						
MAX 2	1	30	80	30	80	30	80	30	80	1	MONTH	PED	RECALL						
WALK	2		8		8		8		8	2	DAY/MONTH	RED	LOCK						
FL DW	3		25		25		25		25	3	DAY/WEEK	YEL	LOCK						
MAX INIT.	4	6	10	6	10	6	10	6	10	4	HOUR	Ø	PERMIT	X	X	X	X	X	X
MIN GREEN	5	5	8	5	8	5	8	5	8	5	MINUTE	PED	PHASES	X	X	X	X	X	X
TBR	6	1	15	1	15	1	15	1	15	6	SECOND	LEAD	PHASES	X	X	X	X	X	X
TTR	7	1	25	1	25	1	25	1	25	7		DBL	ENTRY						
	8									8		SEQ	ENTIAL						
PASSAGE	9	1.0	2.0	1.0	2.0	1.0	2.0	1.0	2.0	9		START	UP	X			X		
MIN GAP	a	1.0	1.0	1.0	1.0	1.0	1.0	1.0	1.0	a		OVER	LAP A						
ADD ACT	b	1.0	1.0	1.0	1.0	1.0	1.0	1.0	1.0	b		OVER	LAP B						
YELLOW	c	3.0	4.0	3.0	4.0	3.0	4.0	3.0	4.0	c		OVER	LAP C						
RED CLR	d	1.0	2.0	1.0	2.0	1.0	2.0	1.0	2.0	d		OVER	LAP D						
RED REV	e									e		EXCL	USIVE						
WALK II	f									f		SIM	GAP						

POLE NO.	STATION	OFFSET/SIDE	TYPE ①	ARM LENGTH	X1	X2	X3	CAMERA	ARM BRACKET TYPE	NO.	POLE BRACKET TYPE	REMARKS
1	6+48	53' Lt.	B	50'	25'	12'	12'	43'	1	3	II	② ③
2	7+48.5	48' Lt.	B	46'	21'	12'	12'	39'	1	3	II	② ③
3	7+92	57' Rt.	B	55'	29'	12'	12'	47'	1	3	II	② ③
4	47+17	58' Lt.	B	52'	31'	11'	9'	46'	1	3	II	② ③
5	7+52	47' Rt.	A	---	---	---	---	---	---	---	II	
6	6+55	44' Rt.	A	---	---	---	---	---	---	---	II	

- ① A - Pedestal Pole (10' Aluminum)
- B - Pole (20' Steel with Mast Arm)
- C - Joint use Pole (35' Steel with Mast Arm)
- D - Joint use Pole (35' Steel)
- ② Street Name Sign
- ③ R10-12 Yield on Green Ball Sign

3				
2				
1				
NO.	DATE	REVISIONS	BY	APP'D

CITY OF WICHITA, KANSAS
 SEDGWICK COUNTY
 TRAFFIC SIGNAL PLAN
 ROCK ROAD & 37TH STREET
 PROJECT NO. 472-84066

GBA GEORGE BUTLER ASSOCIATES, INC.
 Engineers · Architects

DESIGNED	SAC	CHECKED	SAC	PROJ. NO.	10459.00
DRAWN	JDB			DATE	AUGUST 17, 2004