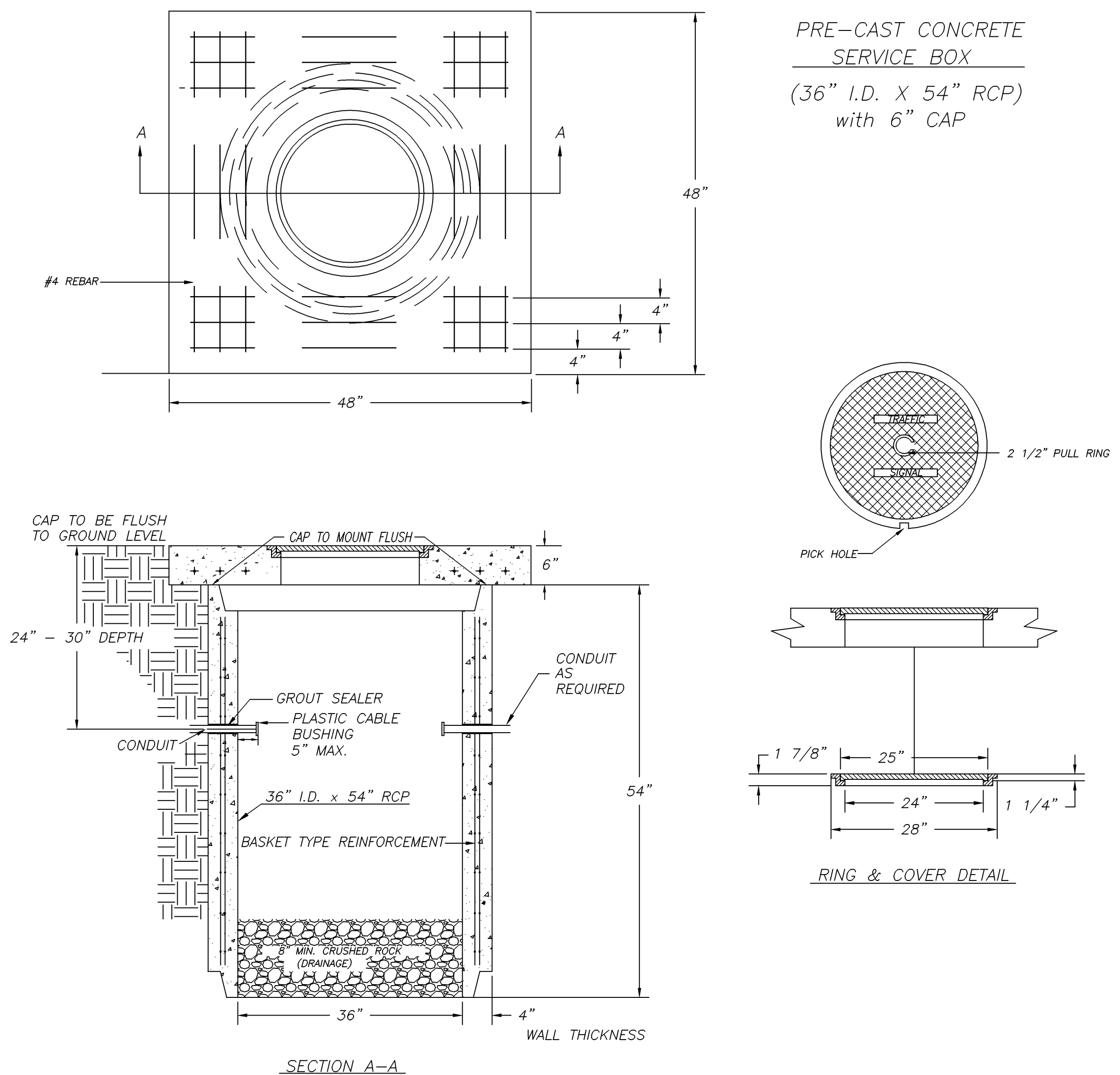
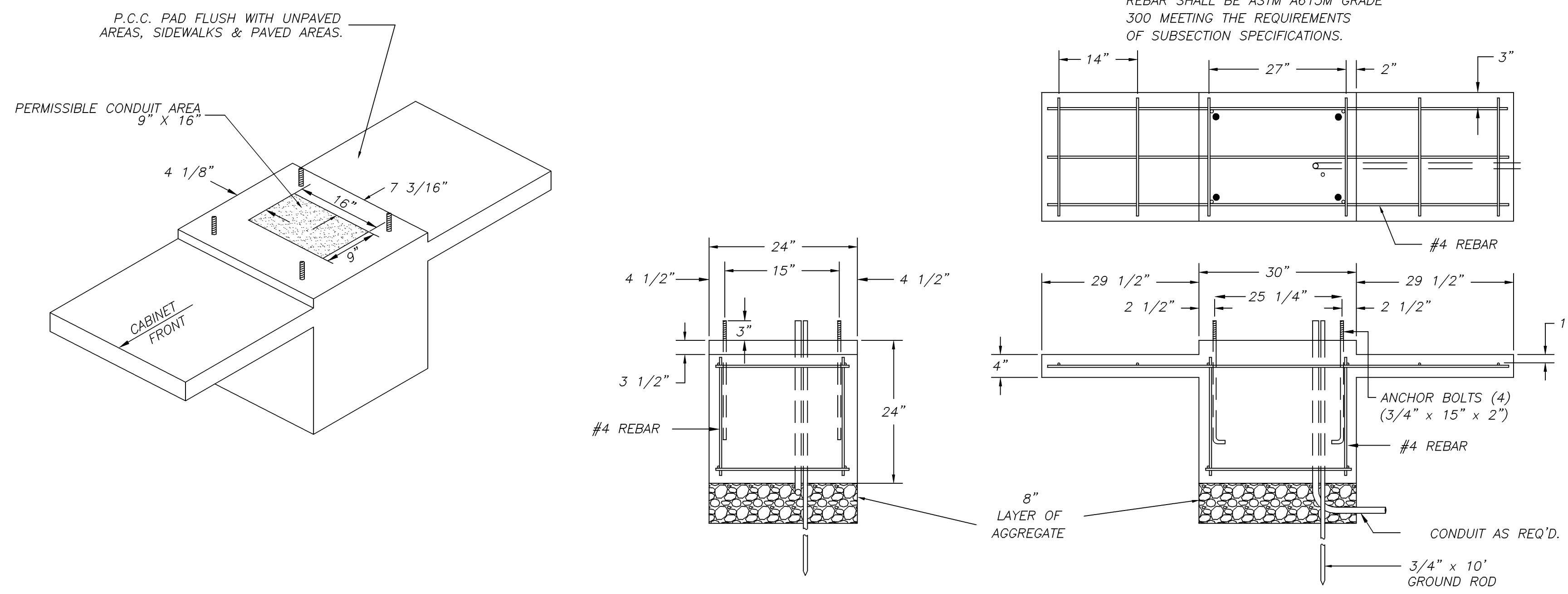


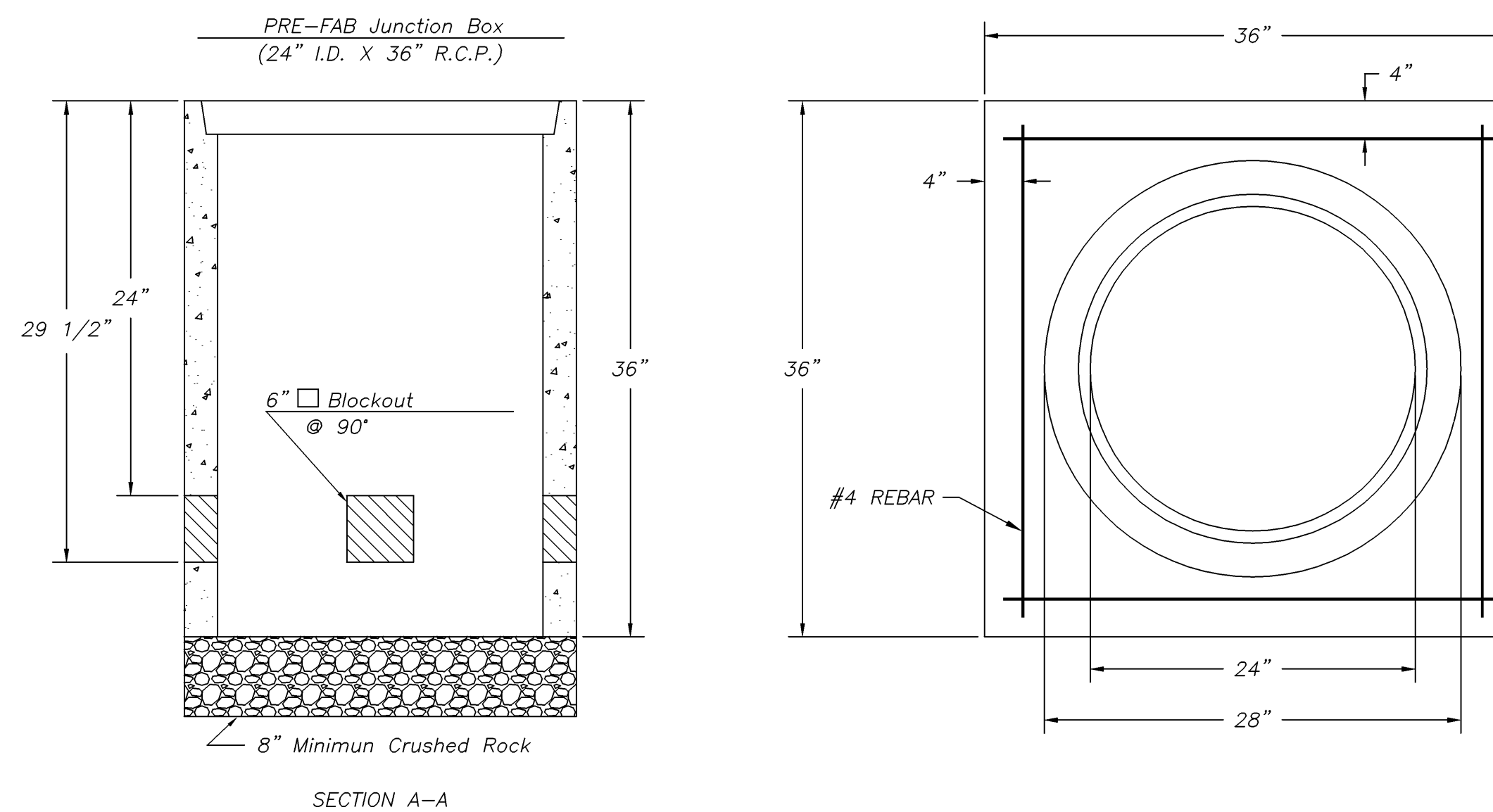
SERVICE BOX CONSTRUCTION/INSTALLATION DETAILS



170 CONTROLLER PAD DETAILS

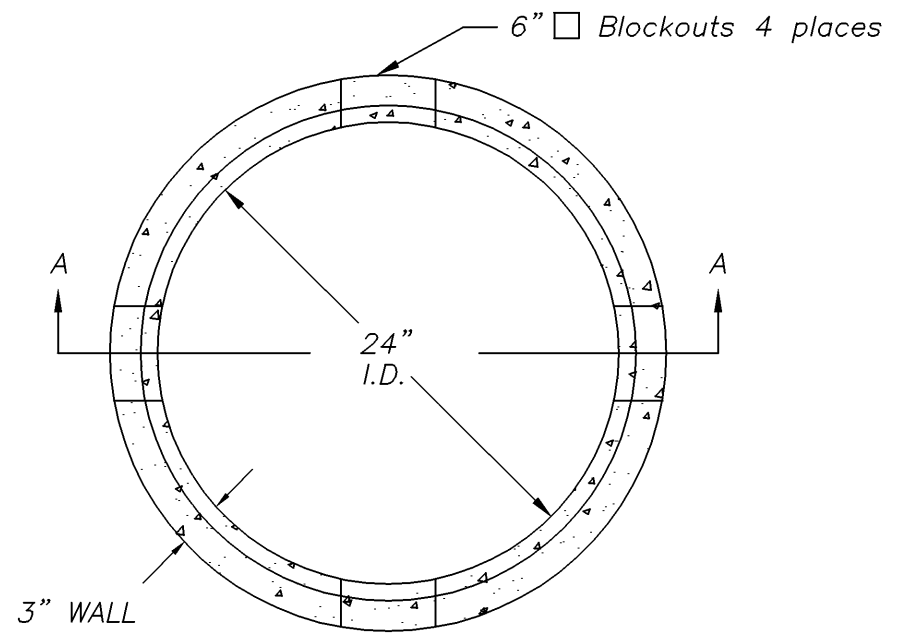


JUNCTION BOX DETAILS



JUNCTION BOX CAP

36" x 36" x 6"
TOP OF CAP TO BE FLUSH WITH GROUND LEVEL.



** SEE SERVICE BOX INSTALLATION FOR RING & COVER DETAILS.

NOTES:

- SERVICE & JUNCTION BOX:**
- CONDUIT CONNECTION TO BE FLUSH TO WITHIN 5" OF INSIDE FACE OF SIDE WALL, CONDUIT TO DRAIN INTO SERVICE BOX.
 - CONDUIT CONNECTIONS TO SERVICE BOX SHALL BE TERMINATED WITH PLASTIC CABLE BUSHING.
 - CONDUIT SHALL BE SEALED WITH APPROVED SEALER AT INSIDE WALL FACE.
 - ALL SERVICE & JUNCTION BOXES TO HAVE 8" OF CRUSHED ROCK.
 - AGGREGATE LAYER BELOW SERVICE BOX SHALL BE COMPACTED TO ELIMINATE FUTURE SETTLEMENT.
- TRENCHING:**
- DEPTH TO BE 30" MINIMUM WITH ROCK & STUBBLE FREE BACKFILL TO SERVE AS BEDDING MATERIAL. MAINTAIN MINIMUM CONDUIT DEPTH IN TRENCH.
 - BACKFILL TO BE COMPACTED IN 6" LOOSE LIFTS BY HAND OR MECHANICAL TAMPING TO A 95% STANDARD DENSITY.
- CONDUIT:**
- SLOPE CONDUIT TO DRAIN AS DIRECTED BY THE ENGINEER.
 - | | | |
|--------|---------------------|--|
| 3" | RIGID STEEL CONDUIT | BTWN. SERVICE BOXES. |
| 2" | " | BTWN. SERVICE BOXES & SIGNAL POLES |
| 1 1/4" | " | BTWN. SERVICE & JUNCTION BOXES. |
| 3/4" | " | BTWN. JUNCTION BOXES. |
| 3/4" | " | BTWN. JUNCTION BOX & DETECTOR LOOP SAW CUT |

CONDUIT/DETECTOR WIRE INSTALLATION DETAILS

