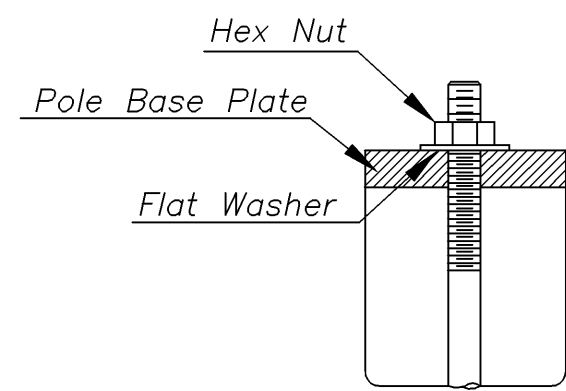
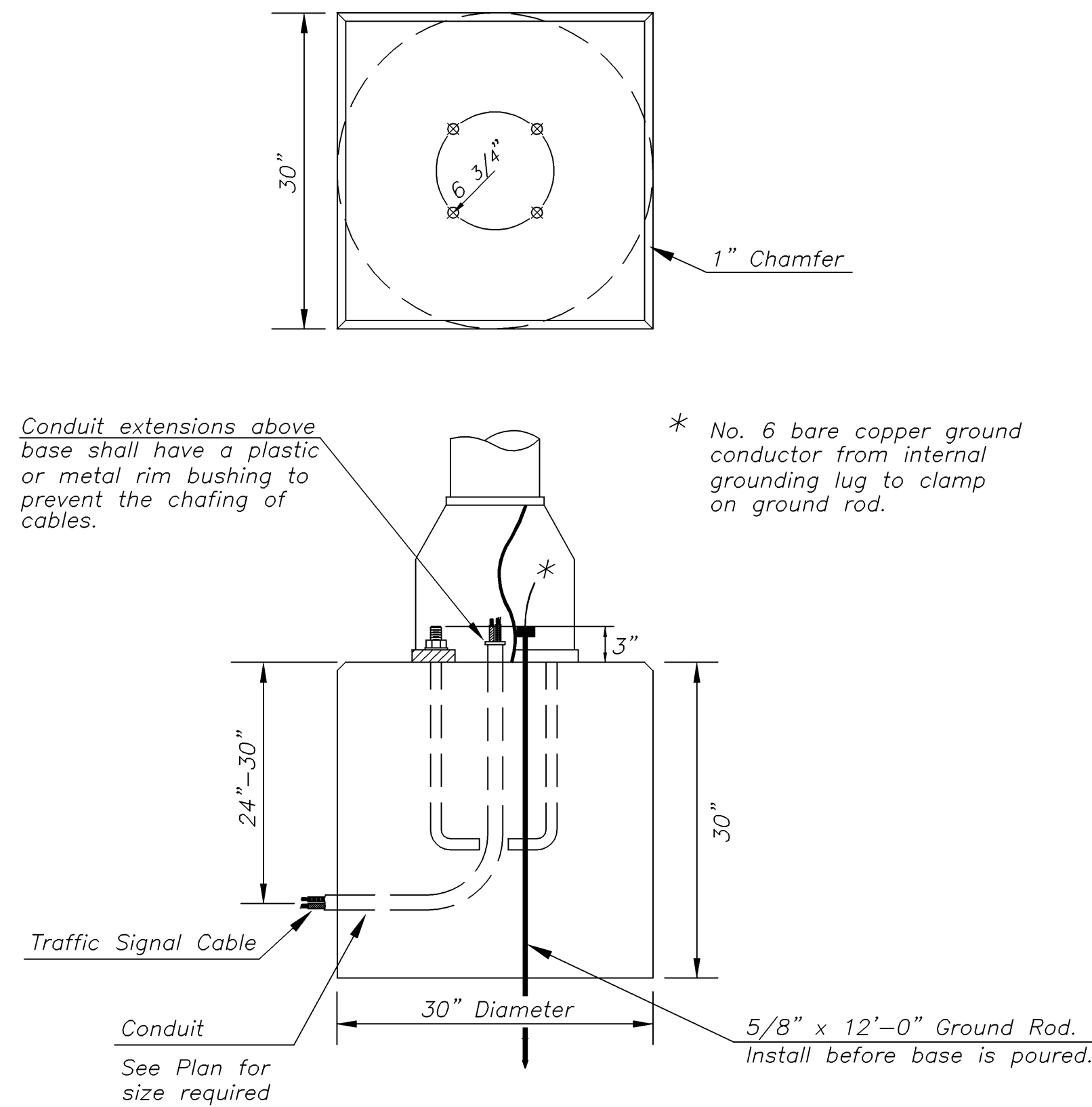


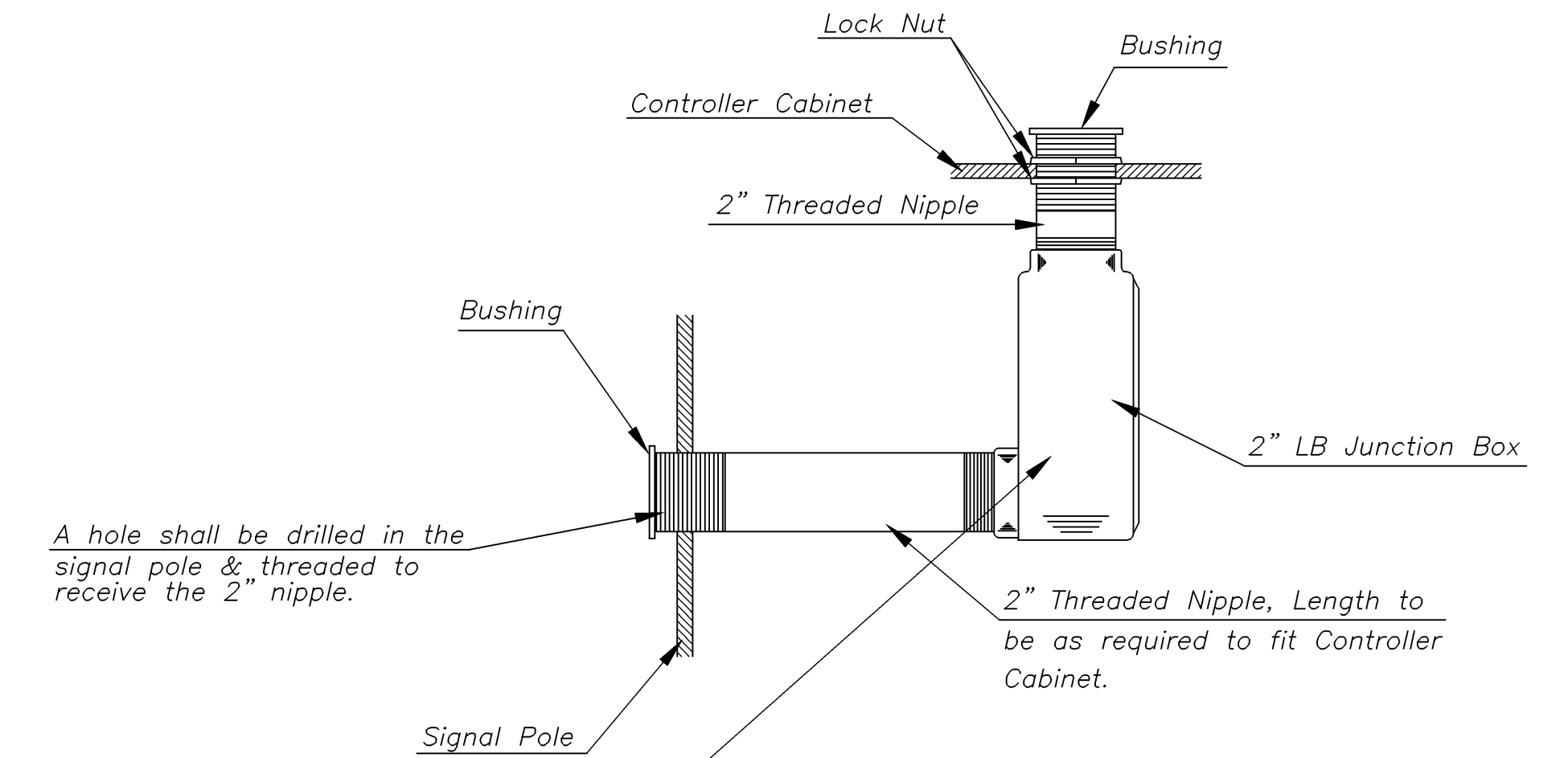
Use Keystone "No-Weld Number 1 Anti-Seize Compound" on all bolts & nuts.



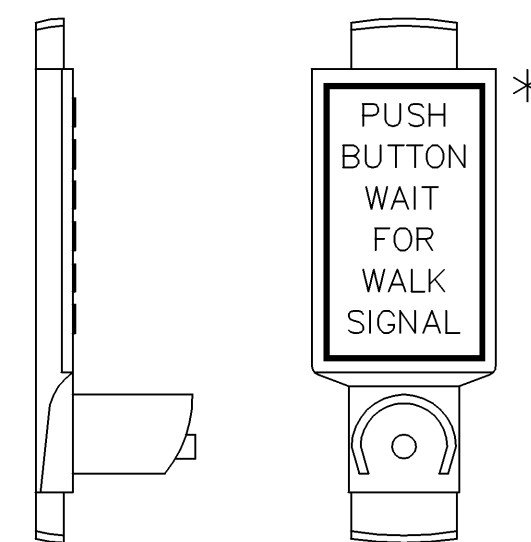
ANCHOR BOLT
DETAIL



CONCRETE BASE DETAIL

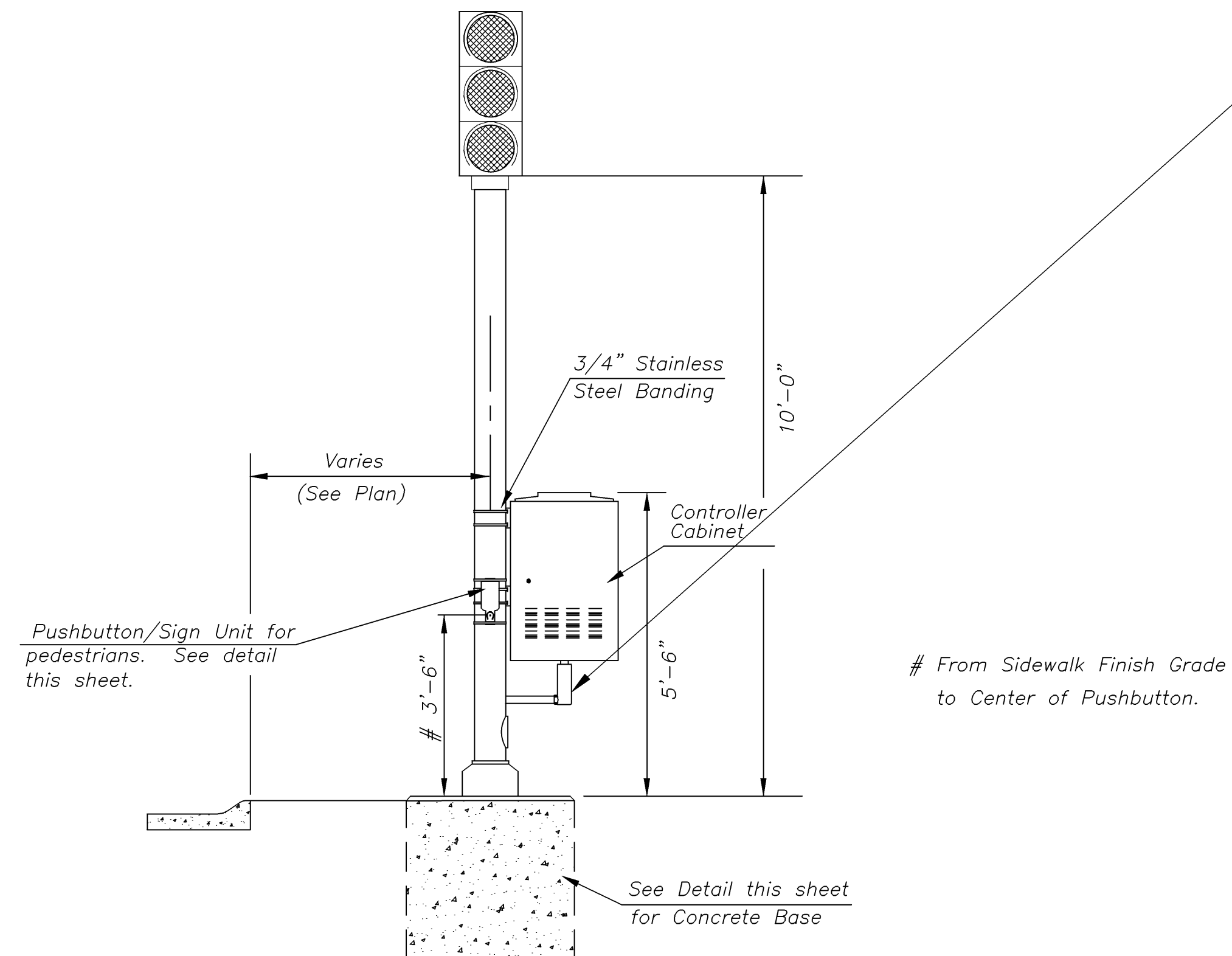


* NOTE: MESSAGE TO BE CAST WITH HOUSING (ONE PIECE)



INSTALL PEDESTRIAN PUSHBUTTON UNDERNEATH CORRESPONDING PEDESTRIAN SIGNAL HEAD ON SIDE OF POLE NEAREST CROSSWALK. UNIT SHALL BE FIRMLY ATTACHED TO THE SIDE OF POLE WITH 3/4" STEEL BANDS. SHARP ENDS SHALL BE FOLDED UNDER TO PREVENT INJURY TO PEDESTRIANS.

PEDESTRIAN PUSHBUTTON/SIGN
UNIT DETAIL



TRAFFIC SIGNAL PEDESTAL

PROJECT DESCRIPTION		
TRAFFIC SIGNAL PEDESTAL & CONCRETE BASE DETAIL SHEET		
PROJECT NUMBER		
DRAWN BY: T.M.	SCALE: NO SCALE	REVISED BY:
DATE: MAY 97		DATE:
CITY OF WICHITA DEPARTMENT OF PUBLIC WORKS		
DIVISION OF TRAFFIC ENGINEERING		
WM. G. MCKINLEY P.E.	TRAFFIC ENGINEER	