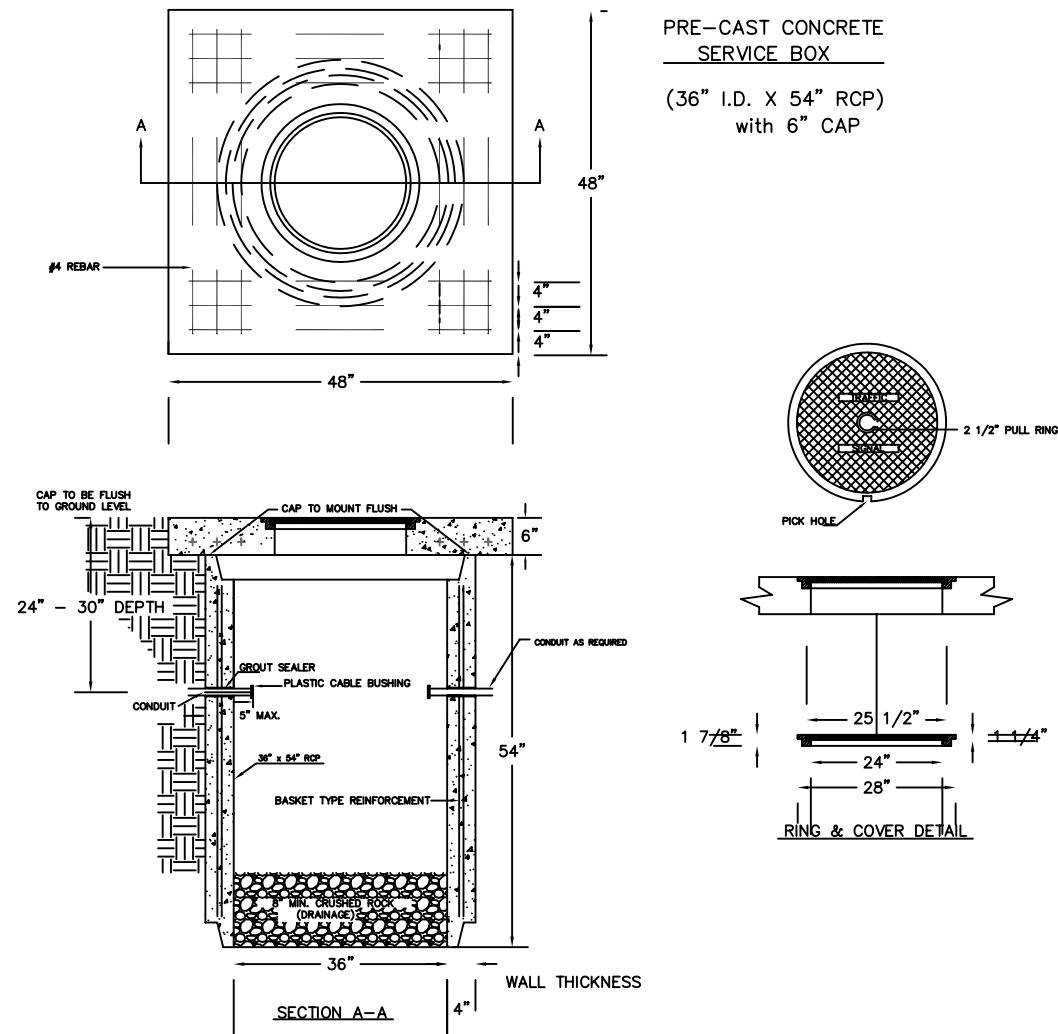
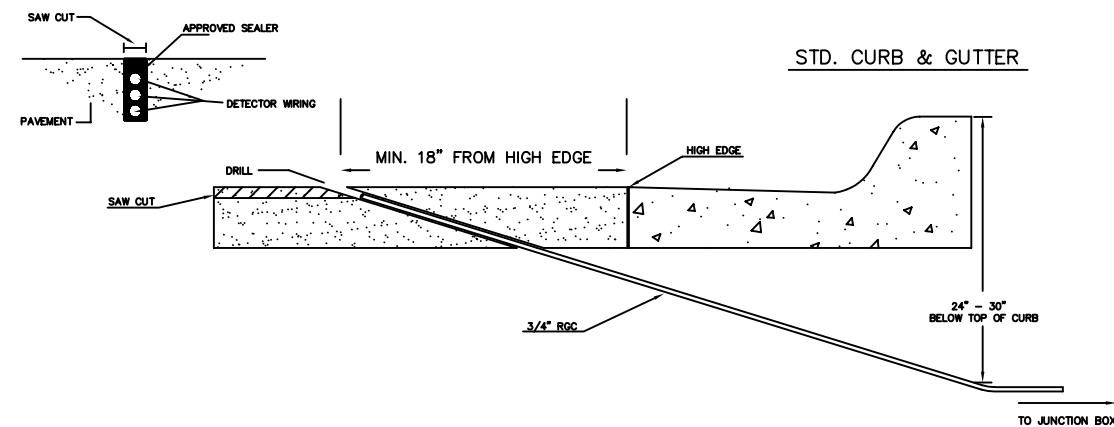


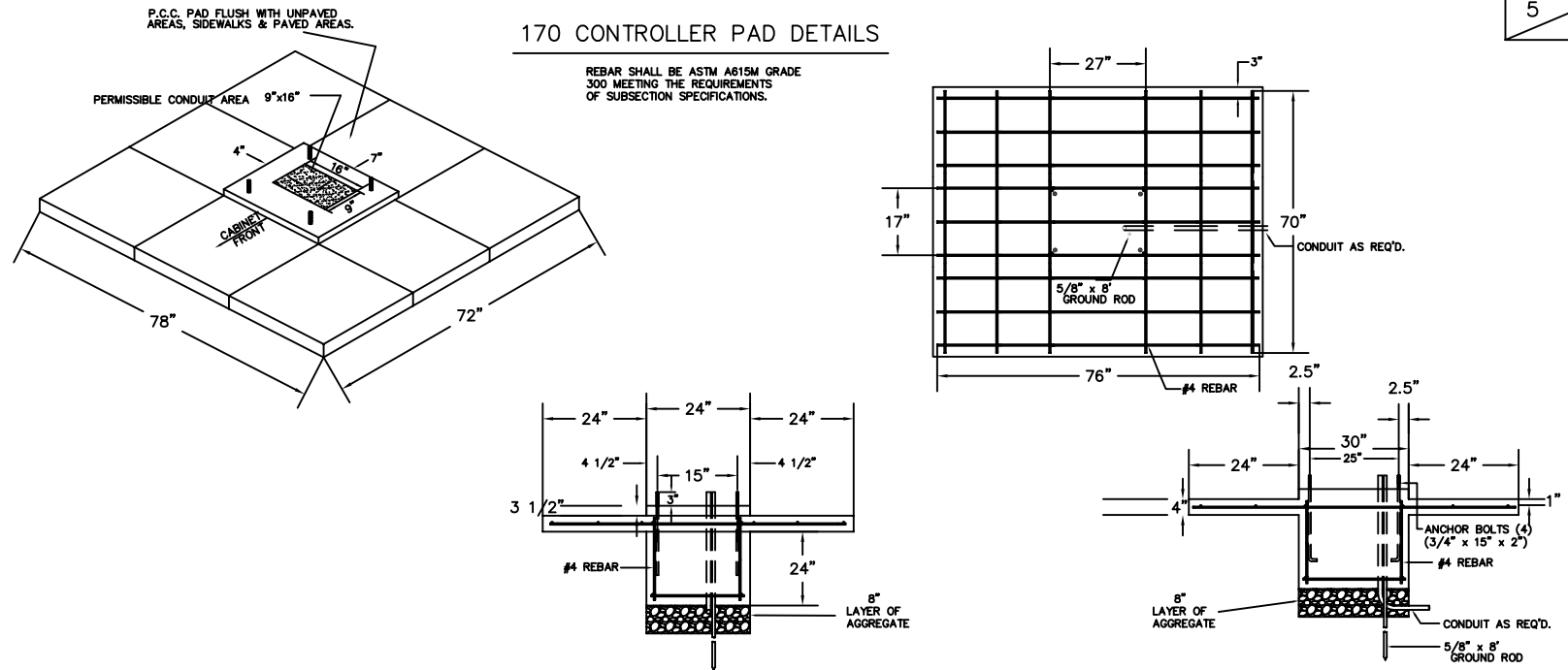
SERVICE BOX CONSTRUCTION/INSTALLATION DETAILS



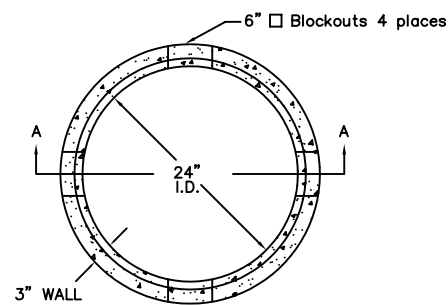
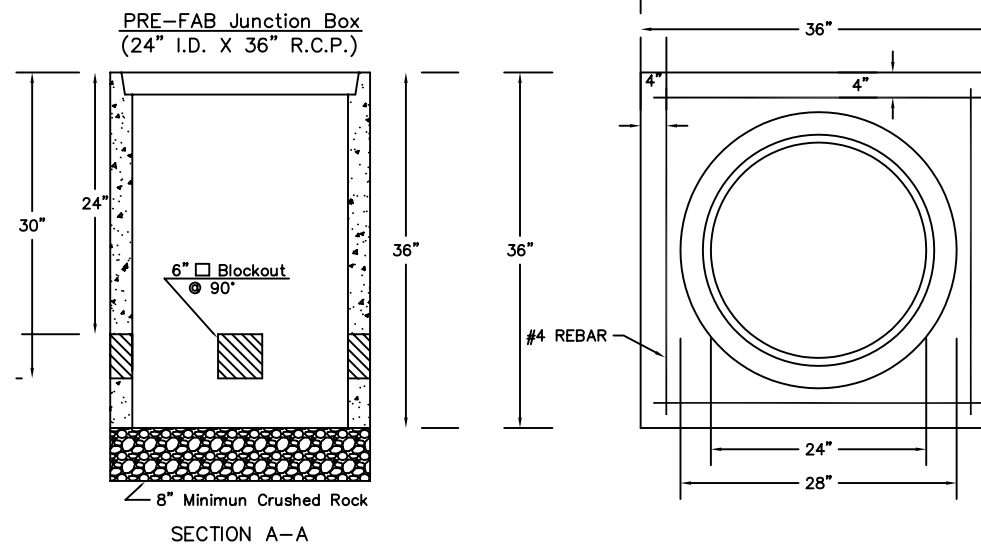
CONDUIT/DETECTOR WIRE INSTALLATION DETAILS



170 CONTROLLER PAD DETAILS



JUNCTION BOX DETAILS



*SEE SERVICE BOX INSTALLATION FOR RING & COVER DETAILS.

NOTES:

- SERVICE & JUNCTION BOX:
- CONDUIT CONNECTION TO BE FLUSH TO WITHIN 5" OF INSIDE FACE OF SIDE WALL, CONDUIT TO DRAIN INTO SERVICE BOX.
 - CONDUIT CONNECTIONS TO SERVICE BOX SHALL BE TERMINATED WITH PLASTIC CABLE BUSHING.
 - CONDUIT SHALL BE SEALED WITH APPROVED SEALER AT INSIDE WALL FACE.
 - ALL SERVICE & JUNCTION BOXES TO HAVE 8" OF CRUSHED ROCK.
- TRENCHING:
- DEPTH TO BE 30" MINIMUM WITH ROCK & STUBBLE FREE BACKFILL TO SERVE AS BEDDING MATERIAL. MAINTAIN MINIMUM CONDUIT DEPTH IN TRENCH.
 - BACKFILL TO BE COMPACTED IN 6" LOOSE LIFTS BY HAND OR MECHANICAL TAMPING TO A 95% STANDARD DENSITY.
- CONDUIT:
- SLOPE CONDUIT TO DRAIN AS DIRECTED BY THE ENGINEER.
 - 3" RIGID STEEL CONDUIT BTWN. SERVICE BOXES.
2" " " " BTWN. SERVICE BOX AND POLE.
1 1/4" " " " BTWN. SERVICE & JUNCTION BOXES.
3/4" " " " BTWN. JUNCTION BOXES.
3/4" " " " BTWN. JUNCTION BOX & DETECTOR LOOP SAW CUT

	PROJECT DESCRIPTION		
	SERVICE/JUNCTION BOX, CONTROLLER PAD CONSTRUCTION/INSTALLATION DETAILS		
	PROJECT NUMBER		
	472-84402		
DRAWN BY: T.M.	APPROVED BY:	REVISION: A.S.	
DATE: Apr. 96		DATE: Jan. 2006	
CITY OF WICHITA			
DEPARTMENT OF PUBLIC WORKS			
TRAFFIC ENGINEERING DIVISION	SCALE		
PAUL D. GUNZELMAN P.E. TRAFFIC ENGINEER	NO SCALE		