

LIGHT FIXTURE SCHEDULE

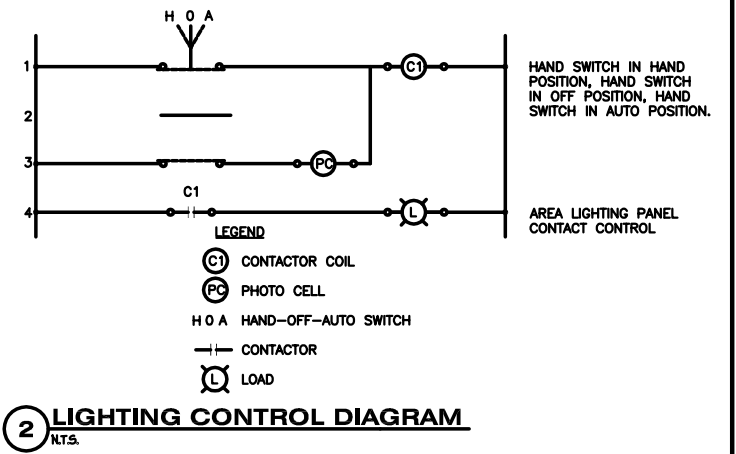
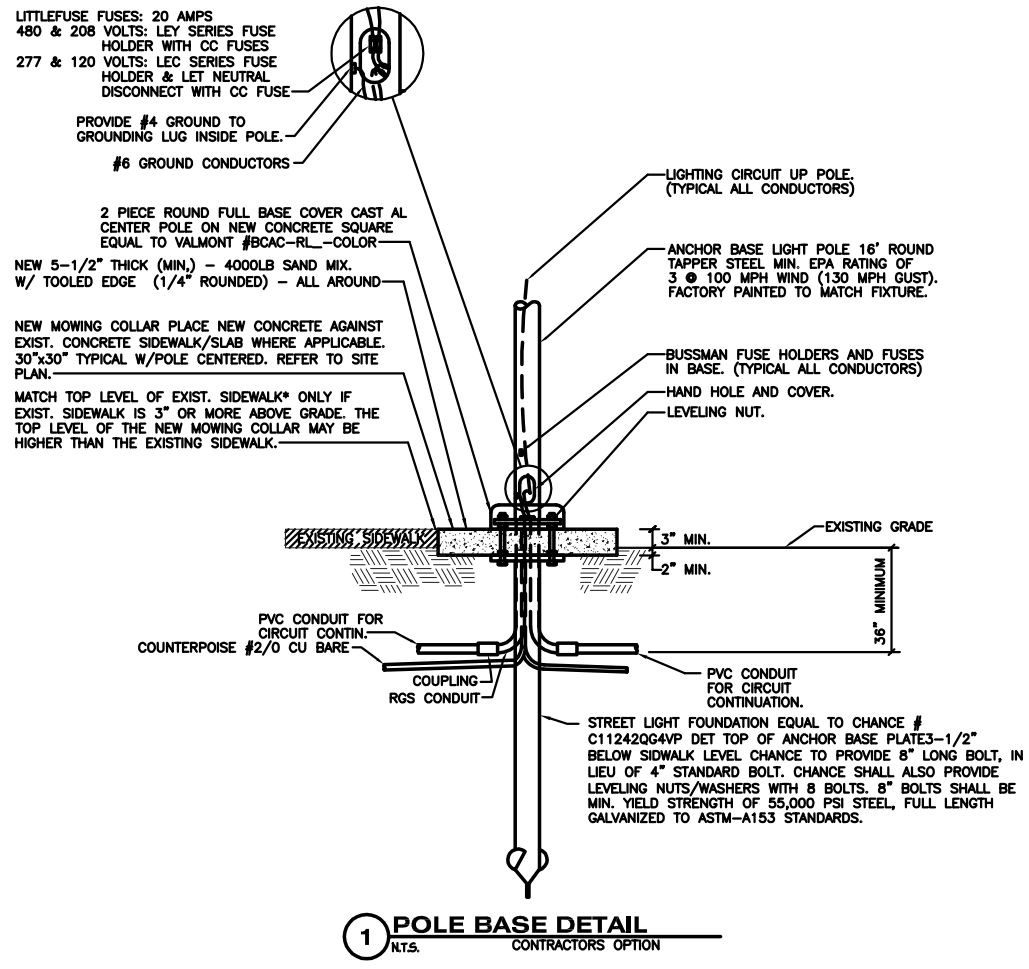
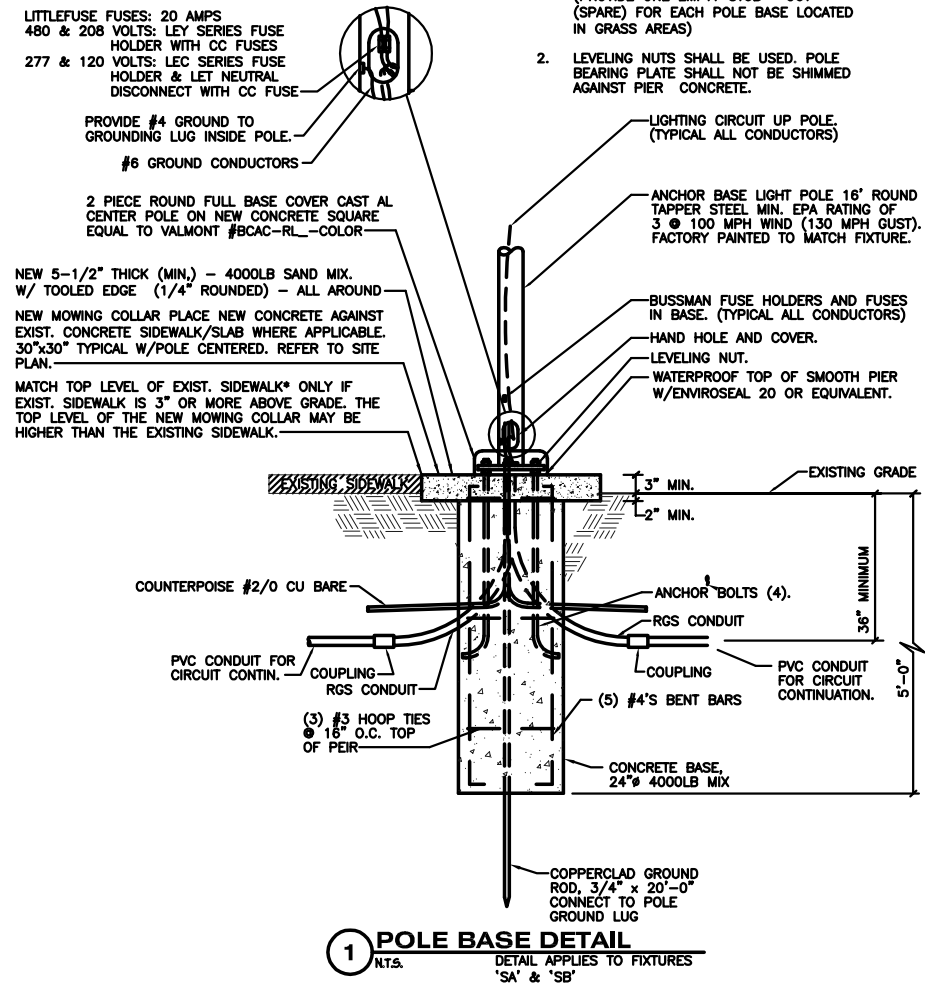
FIXT. LTR.	MANUFACTURER	CATALOG NUMBER	LAMPS		FIXT. VOLT.	FINISH	MOUNTING	WATT	REMARKS
			NO.	TYPE					
A	SPAULDING	PFM-YI-P25-V3-C-Q-0B	1	250W PMH	208		16" POLE #RTS-16-50-1-1A-0B	315	TYPE V SHOEBOX
X	EXISTING LIGHT	-	1	400W PMH	208		-	-	-
XB	EXISTING PARKING LOT LIGHT	-	1	400W PMH	208		30" POLE	-	-

LIGHTING FIXTURE SCHEDULE NOTES

- ALL LIGHTING FIXTURES SHALL BE RATED FOR BUILDING SYSTEM VOLTAGE. CONTRACTOR MUST VERIFY ALL LOCATIONS.
- ELECTRICAL CONTRACTOR SHALL CHECK AND COORDINATE ALL LIGHTING FIXTURE CATALOG NUMBERS WITH THE INTENT OF FIXTURE DESCRIPTIONS, LISTED ACCESSORIES AND TYPE OF INSTALLATION.
- ALL FIXTURES SHALL BE "U.L." LABELED. ALL LIGHTING FIXTURES EXPOSED TO WEATHER OR MOISTURE SHALL BEAR U.L. "WET LOCATION" LABEL, AND LIGHTING FIXTURES EXPOSED TO DAMPNES SHALL BEAR U.L. "DAMP LOCATION" LABEL.
- REFER TO APPLICABLE SECTIONS OF THE SPECIFICATIONS FOR ADDITIONAL REQUIREMENTS FOR LIGHTING FIXTURES.
- VERIFY ALL LIGHTING FIXTURE LOCATIONS, FINISHES, VOLTAGE AND CEILING TYPES WITH ARCHITECT PRIOR TO INSTALLING.
- ELECTRICAL CONTRACTOR TO FIELD ADJUST AIMING PATTERN OF EXTERIOR LIGHTS AT NIGHT SESSION. OWNER & ARCHITECT TO DETERMINE TIME & DATE.
- ALL HID FIXTURES SHALL BE "BURNED-IN" AS PER LAMP MANUFACTURER'S RECOMMENDATIONS TO INSURE PROPER LAMP LIFE.
- SUBMIT LIST OF LAMPS FOR ENGINEER'S APPROVAL WITH TYPE OF LAMP AND MANUFACTURER TO BE USED FOR EACH FIXTURE LISTED PRIOR TO ORDERING. LAMP TO BE MATCHED WITH FIXTURE.

NOTES:

- 3/4" CONDUIT MIN. SIZE TYP. (PROVIDE ONE EMPTY STUB- OUT (SPARE) FOR EACH POLE BASE LOCATED IN GRASS AREAS)
- LEVELING NUTS SHALL BE USED. POLE BEARING PLATE SHALL NOT BE SHIMMED AGAINST PIER CONCRETE.



MKEC ENGINEERING CONSULTANTS
411 N. WEBB ROAD
WICHITA, KS. 67206
316-684-9600

**CITY OF WICHITA
PARK McADAMS LIGHTING**
PROJECT NAME

LIGHTING SCHEDULE AND DETAILS
SHEET TITLE

DESIGN BY: JAF DRAWN BY: ADG CHECKED BY: BWS
DATE: APRIL 11, 2006 JOB NO.: 05619 SHEET/OF: G12/5

K:\ELEC\2005\COW Parks\MCADAMS\ELEC\05619G1-2.dwg, 4/11/2006 2:58:43 PM, 1:2.16998