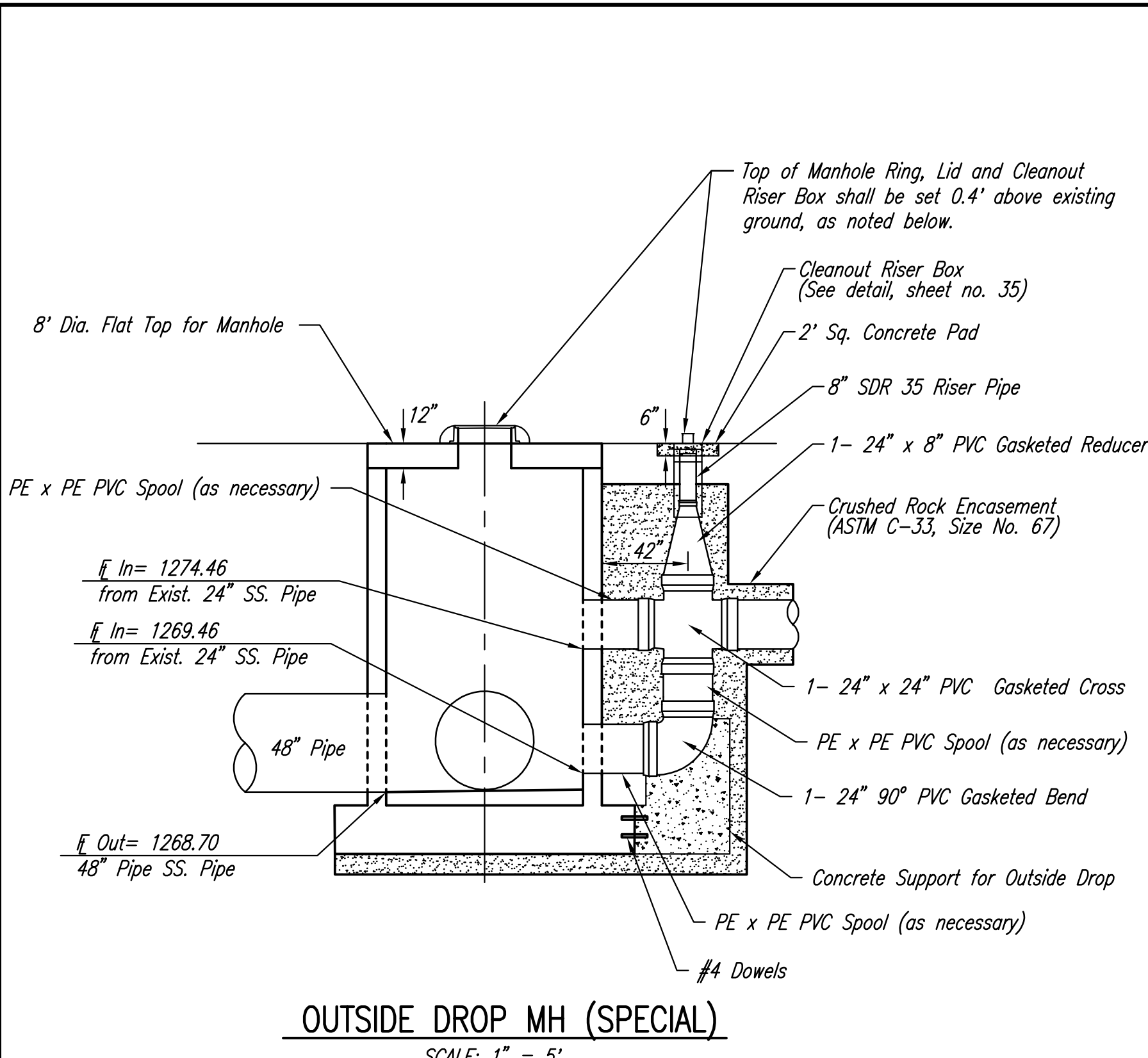


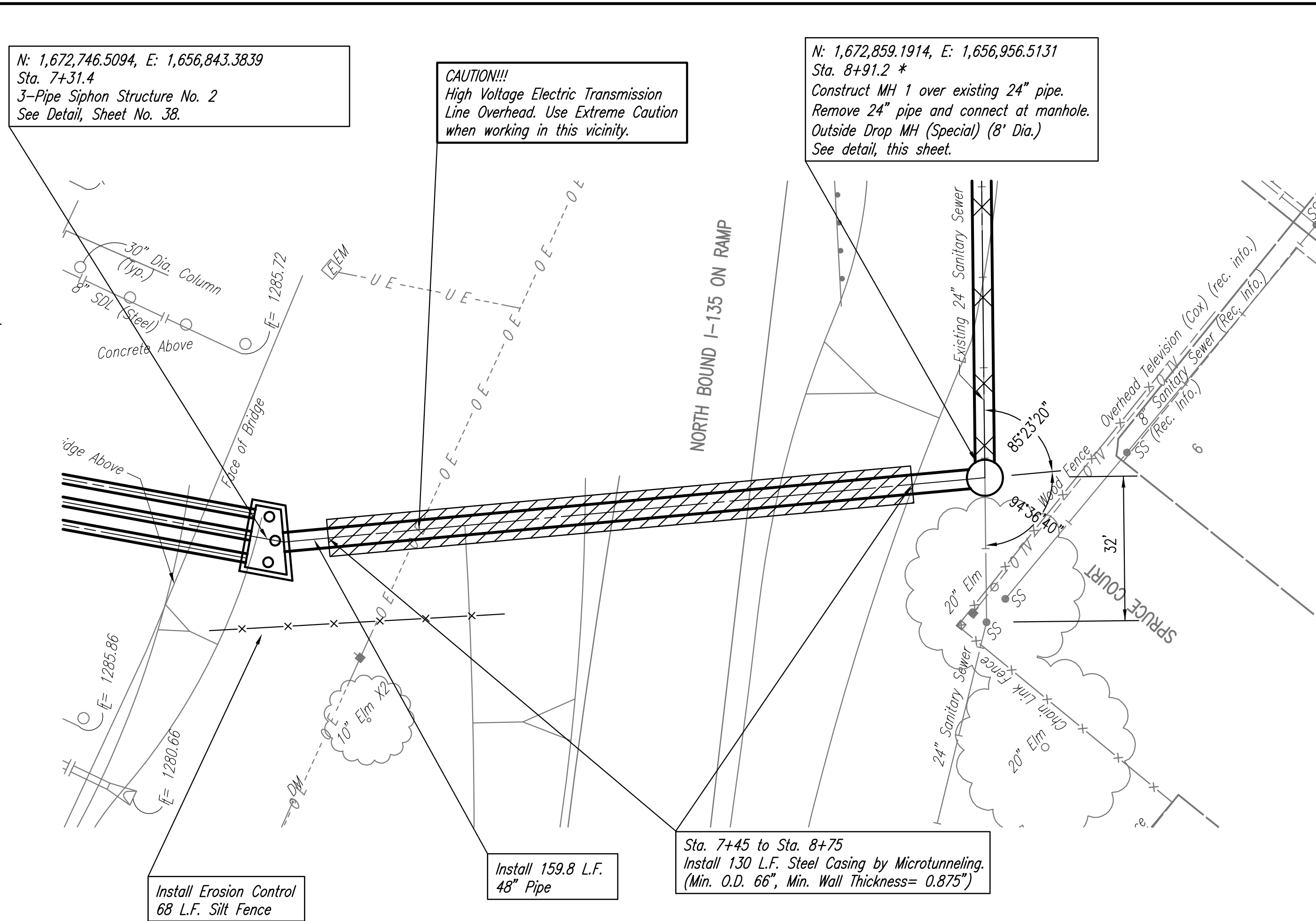
PLAN	CHECKED	CHECKED
BY		
DATE		

PROFILE	CHECKED	CHECKED
BY		
DATE		

Saved: 03-09-2010 4:59:30 PM by: CSL
 Plot Scale: 1:20 03-09-2010 4:59:56 PM by: CSL
 03-2007\07600\001\Phase 2\07600-01-C-SSPP02



OUTSIDE DROP MH (SPECIAL)
 SCALE: 1" = 5'



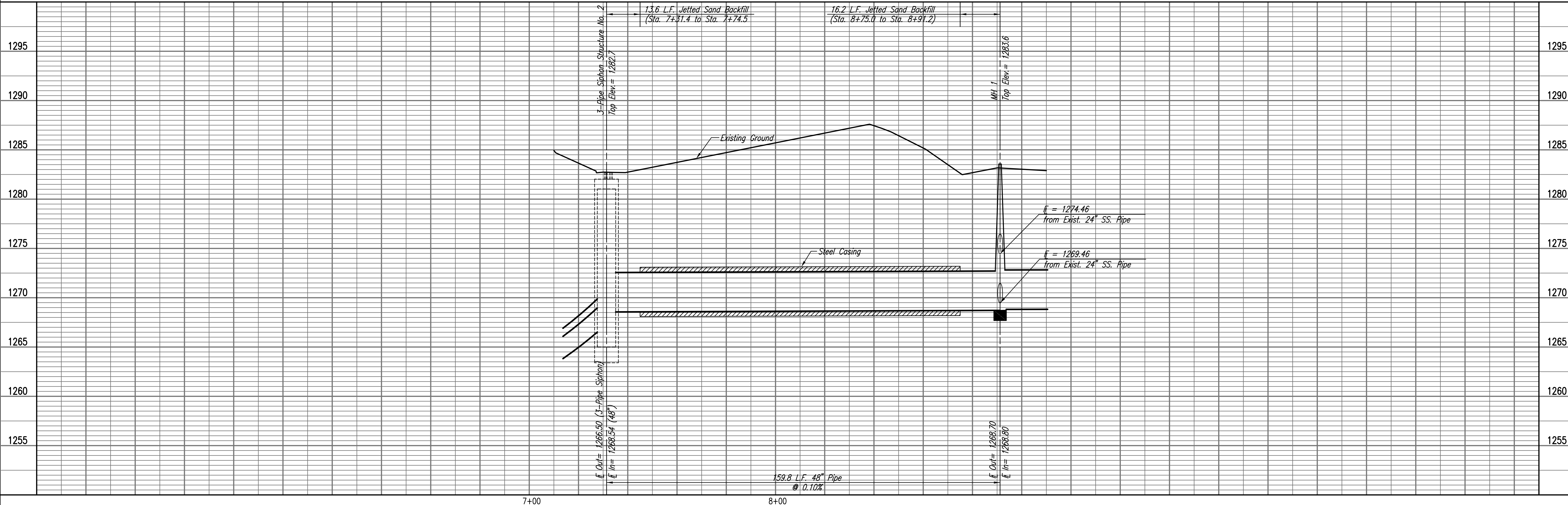
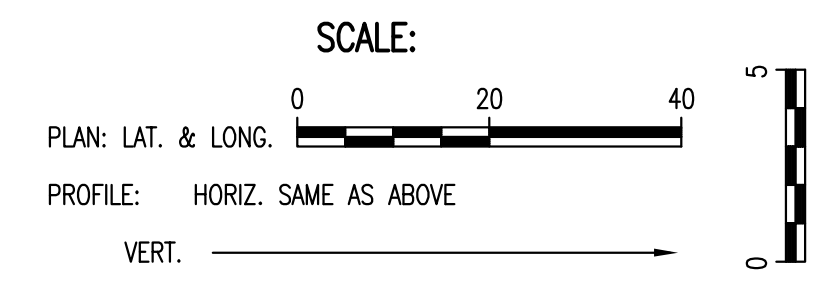
N: 1,672,746.5094, E: 1,656,843.3839
 Sta. 7+31.4
 3-Pipe Siphon Structure No. 2
 See Detail, Sheet No. 38.

CAUTION!!!
 High Voltage Electric Transmission
 Line Overhead. Use Extreme Caution
 when working in this vicinity.

N: 1,672,859.1914, E: 1,656,956.5131
 Sta. 8+91.2 *
 Construct MH 1 over existing 24\"/>

* PRIOR TO BEGINNING CONSTRUCTION, THE CONTRACTOR SHALL EXCAVATE THE EXISTING 24\"/>

⌊ - Denotes Pipe Plug to be installed.
 (Subsidiary to "Site Clearing")
 X - Denotes 24\"/>



RELOCATION OF SANITARY SEWER NO. 23
 PHASE 2: KELLOGG/GROVE TO PANNEE/1-135
SANITARY SEWER LINE NO. 1
 JAMES L. ARMOUR, P.E. - CITY ENGINEER
 CITY OF WICHITA PROJECT NO. 468-84375

Professional Engineering Consultants, P.A.
 603 S. TOPICKA AVENUE, WICHITA, KANSAS 67202
 316-262-2691 • FAX 316-262-3003

Designed By: MDK, EJB
 Drawn By: CSL, JAN
 Job No.: 35-07600-001
 Date: AUGUST 2008