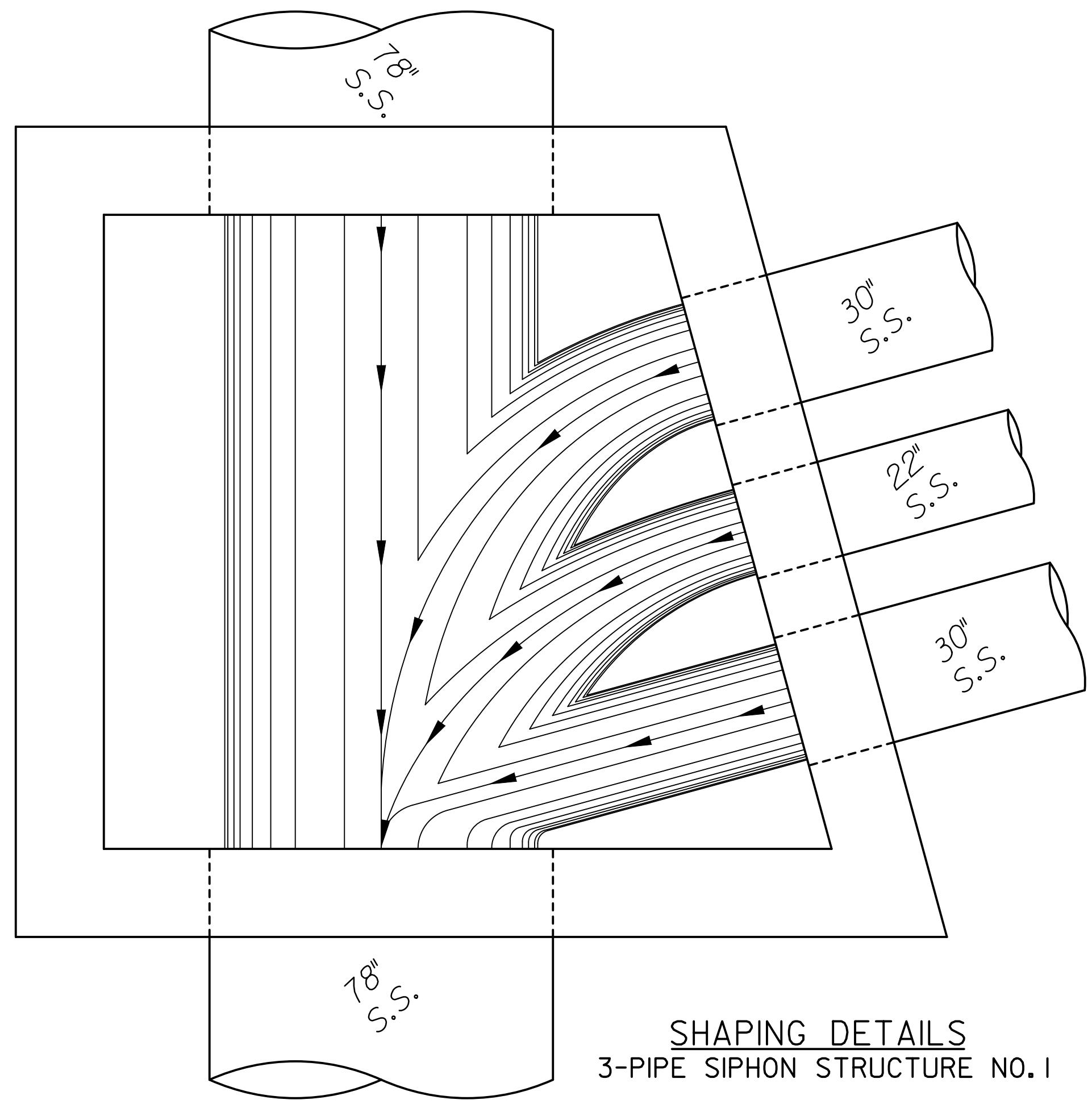
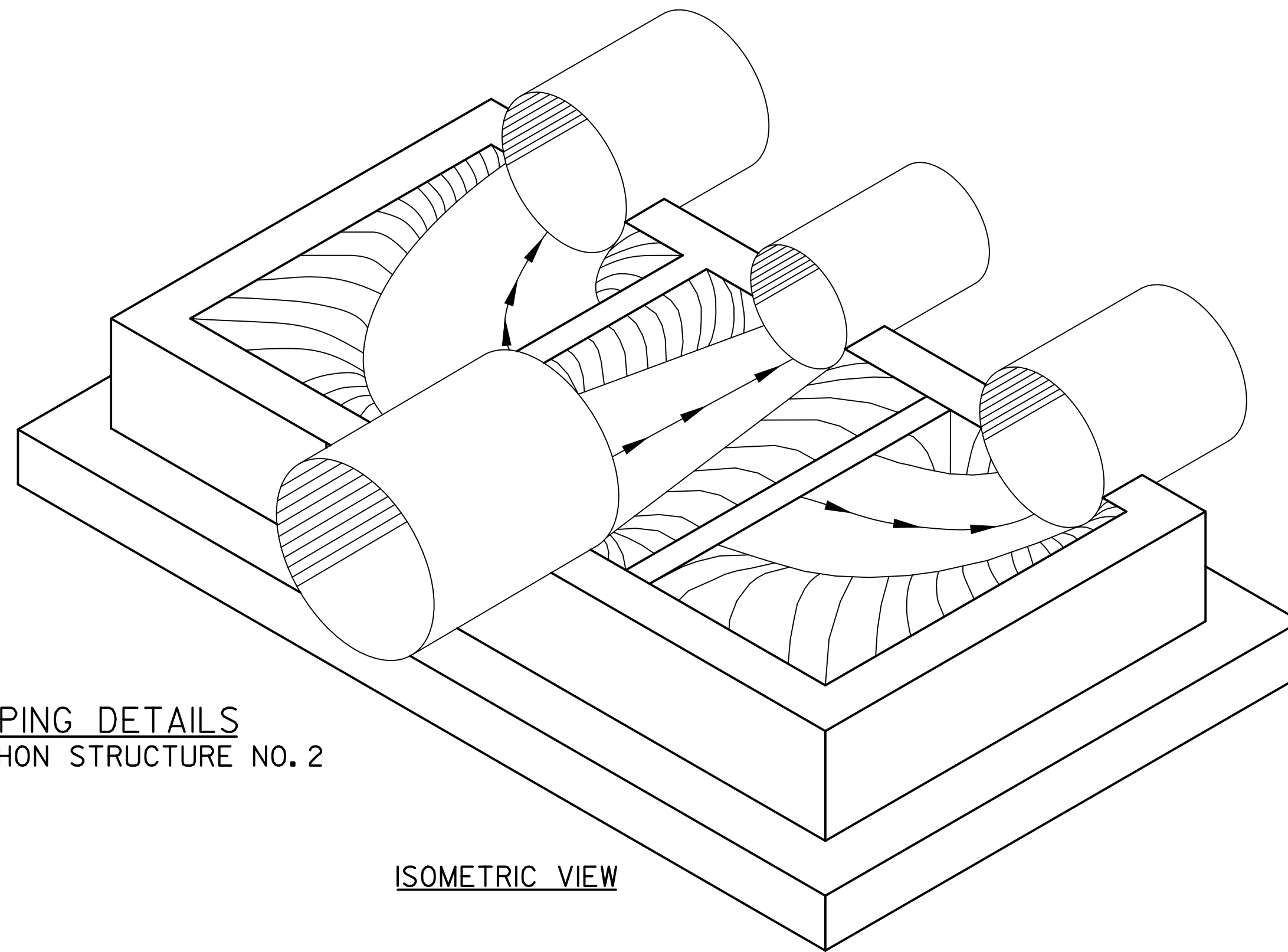


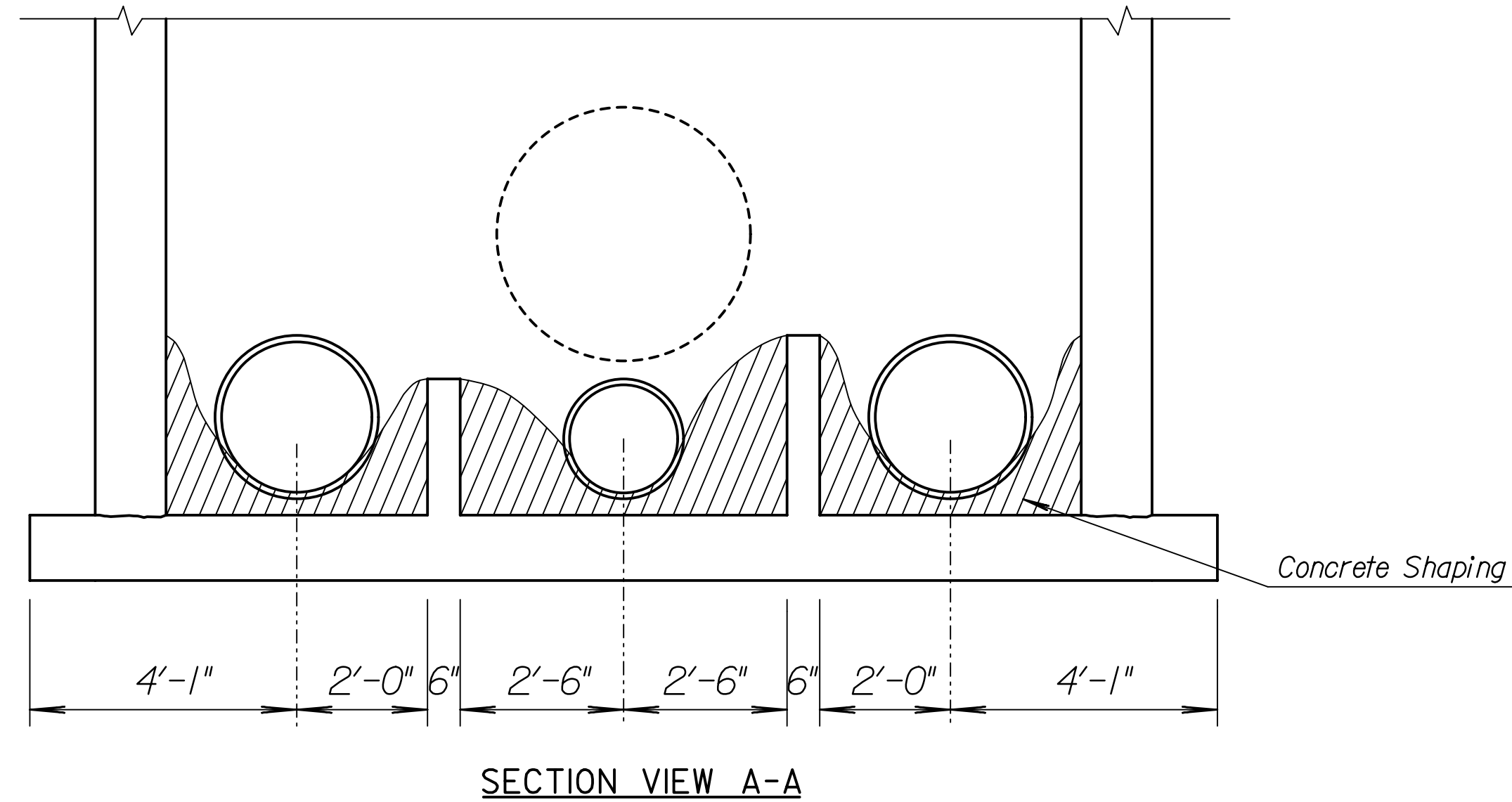
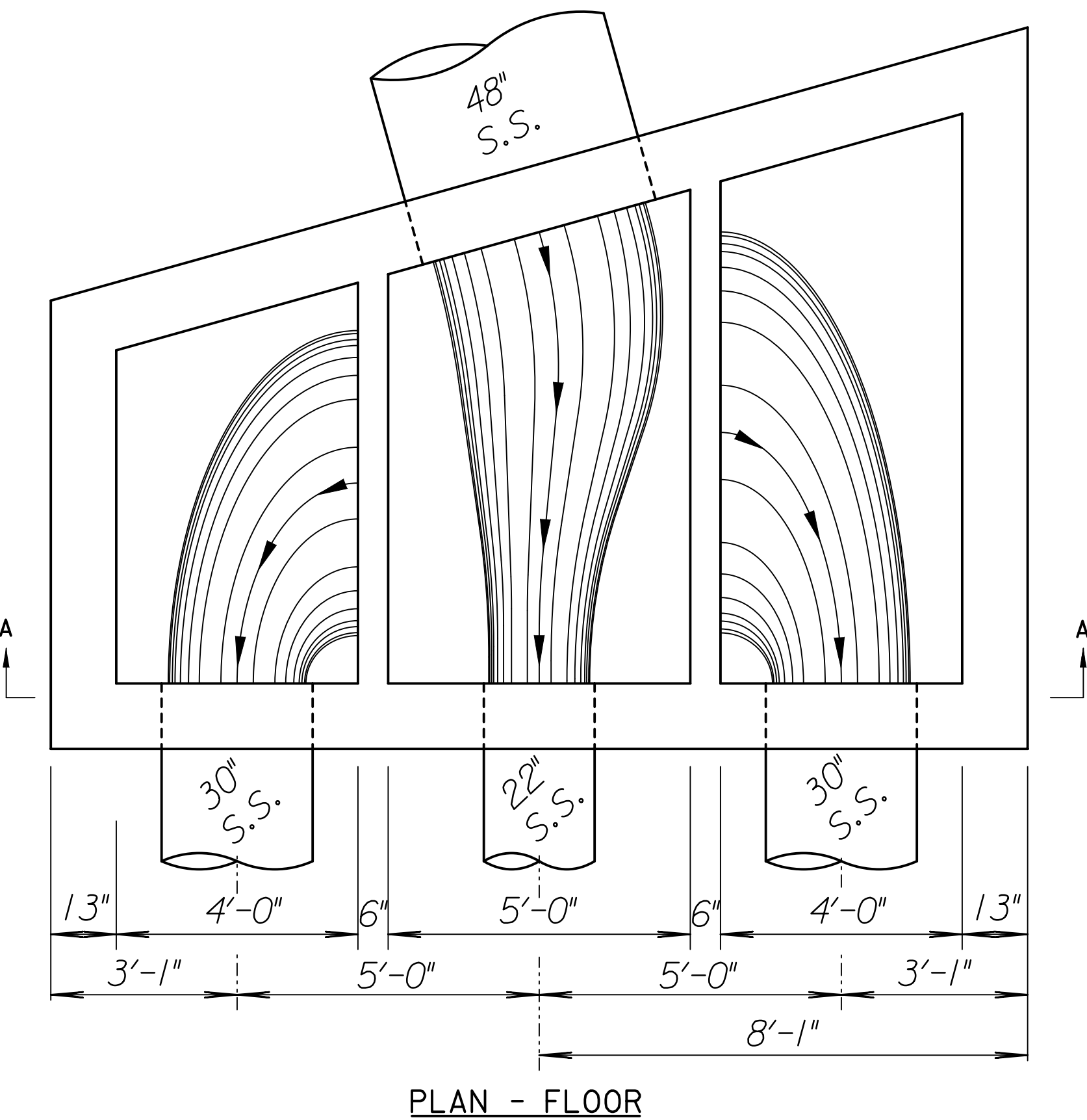
Plotted By: wil Date: 3/2/2010 10:35:53 AM  
 FILE: I:\2007\07600-001\07600-001-CS-SSSCD02.dgn



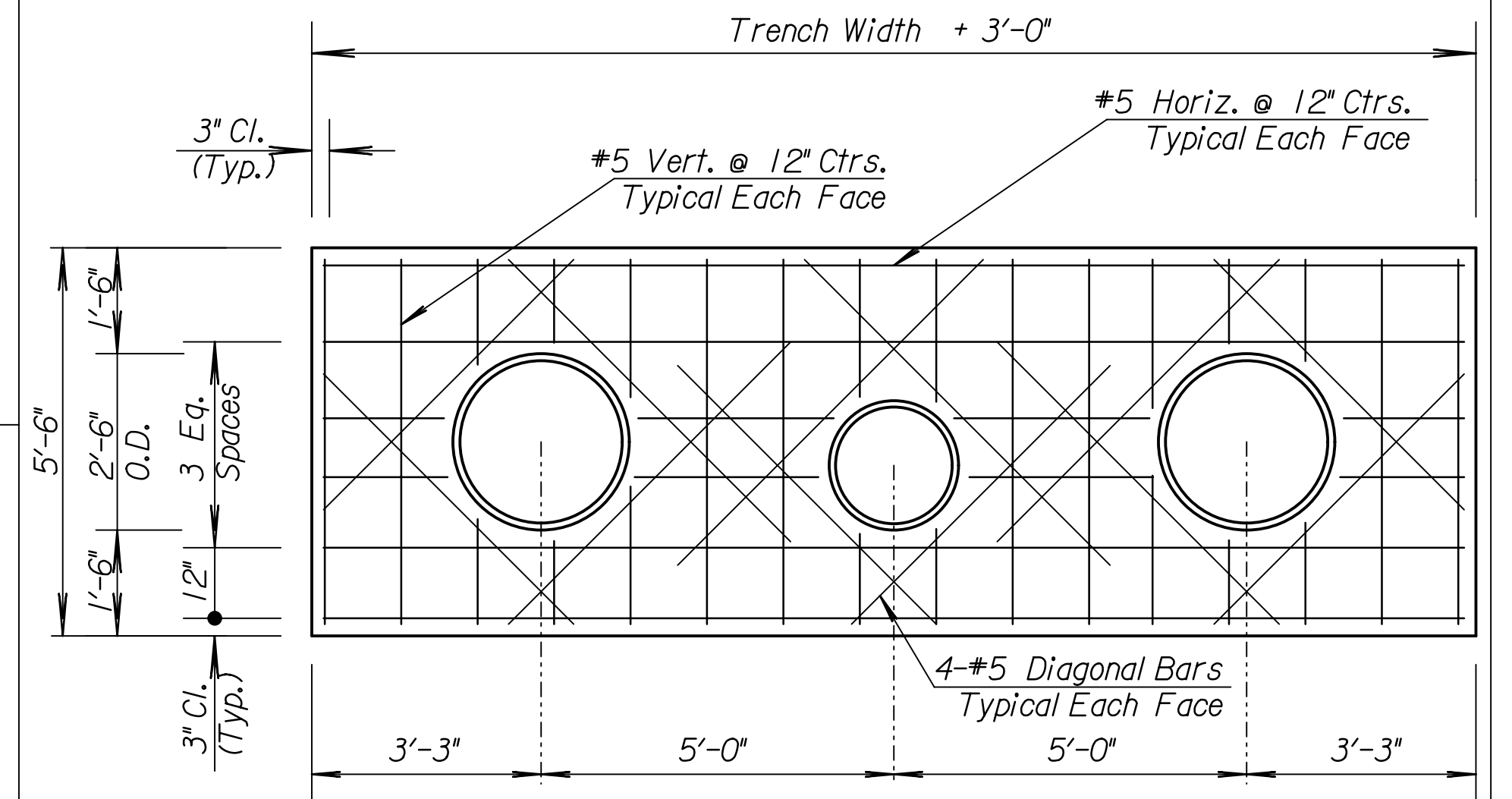
Note: Use 4000 p.s.i. compressive strength concrete throughout.  
 In general, pipes will enter and leave manhole at various positions. Where possible bend bars around pipes.  
 Floor of manhole shall be shaped as shown with unreinforced concrete.  
 The top of the manhole shall be sloped slightly to approximately fit the ground line or other condition as directed by the engineer.  
 The contractor has the option of using precast manholes as approved by the Engineer.



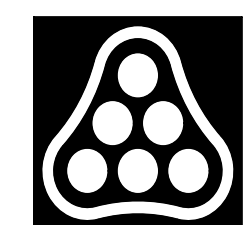
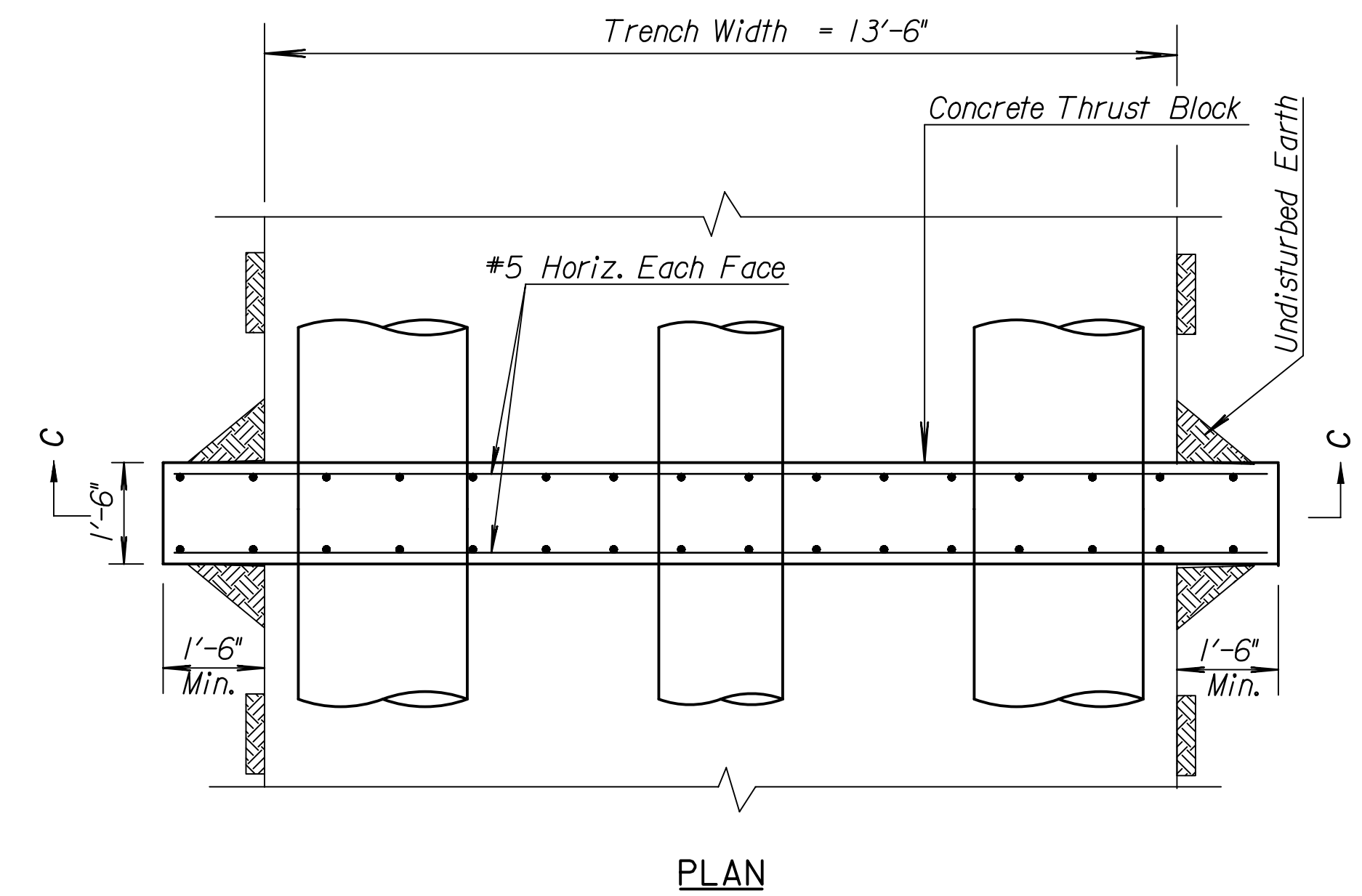
SHAPING DETAILS  
3-PIPE SIPHON STRUCTURE NO. 2



CONCRETE THRUST COLLAR DETAIL



NOTE: 1 required at each Siphon Structure



No.	Revision	By	Date
RELOCATION OF SANITARY SEWER NO. 23 PHASE 2: KELLOGG/GROVE TO PAWNEE/1-135 <b>SHAPING &amp; COLLAR DETAILS</b> JAMES L. ARMOUR, P.E. - CITY ENGINEER CITY OF WICHITA PROJECT NO. 468-84375 <b>Professional Engineering Consultants, P.A.</b> 303 S. TOPEKA • WICHITA, KANSAS 67202 316-262-2691 • FAX 316-262-3003			
Designed by	RJM	Job No.	35-07600-001
Drawn by	CP	Date	AUGUST 2008
			Sht. 40 of 75