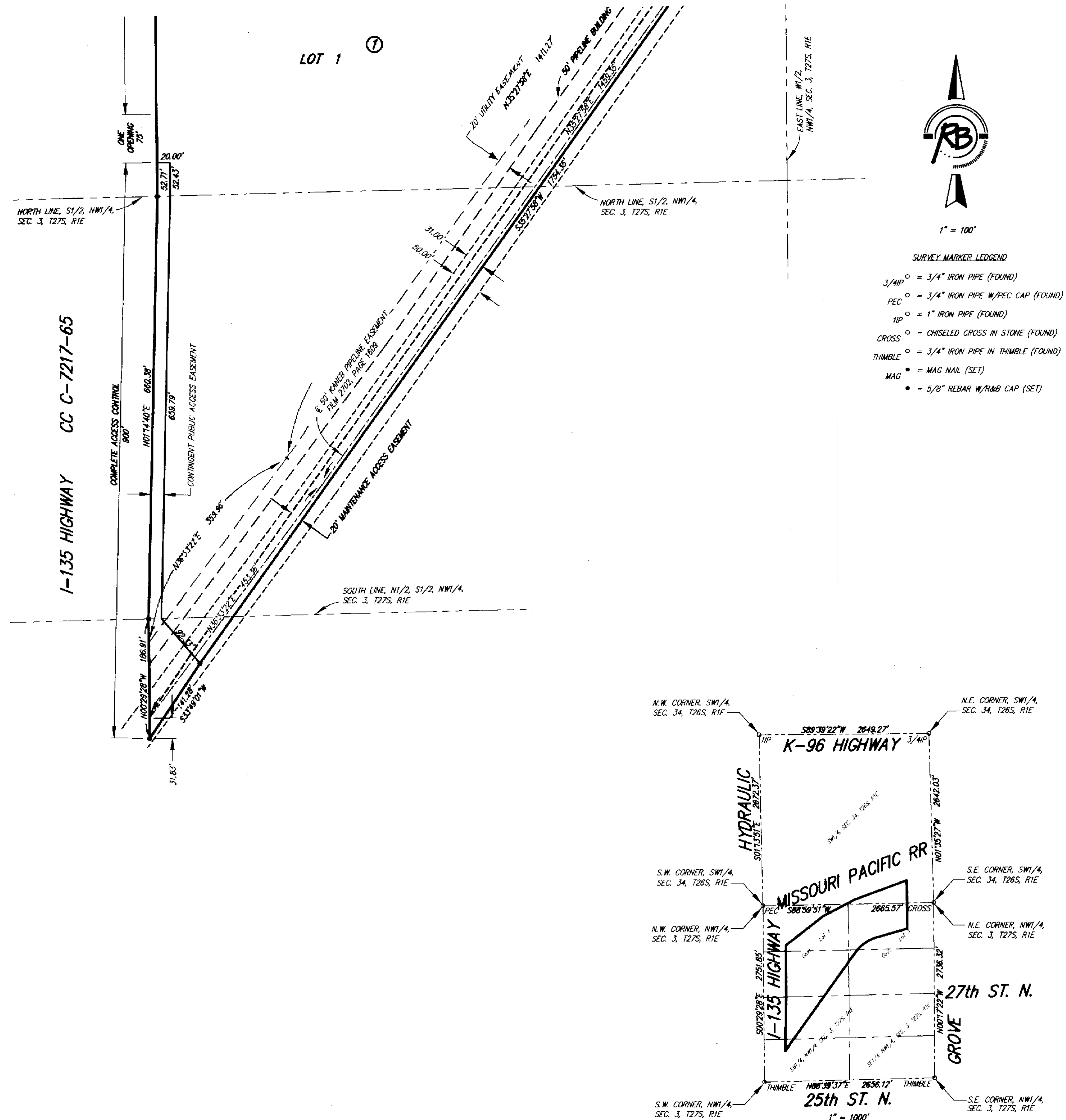


HEARTLAND PREPAREDNESS CENTER

An Addition to Wichita, Sedgwick County, Kansas



Saved: 04-27-2010 2:28:23 PM by JLM
 Plot Scale: 1:100 07-01-2010 11:25:50 AM by JLM
 G:\2009\09307\000\W\09307-C-HeartlandPreparednessCenter\Plot1

No.	Revision	By	Date
HEARTLAND PREPAREDNESS CENTER WATERLINE IMPROVEMENTS PLAT JAMES L. ARMOUR, P.E. - CITY ENGINEER CITY OF WICHITA PROJECT NO. 448-90476 Professional Engineering Consultants, P.A. 303 S. TOPEKA • WICHITA, KANSAS 67202 316-262-2691 • FAX 316-262-3003			
Designed by Ruggles & Bohm, P.A.		Job No. 35-09307-259	Sht. 13 of 17
Drawn by		Date January 2010	

