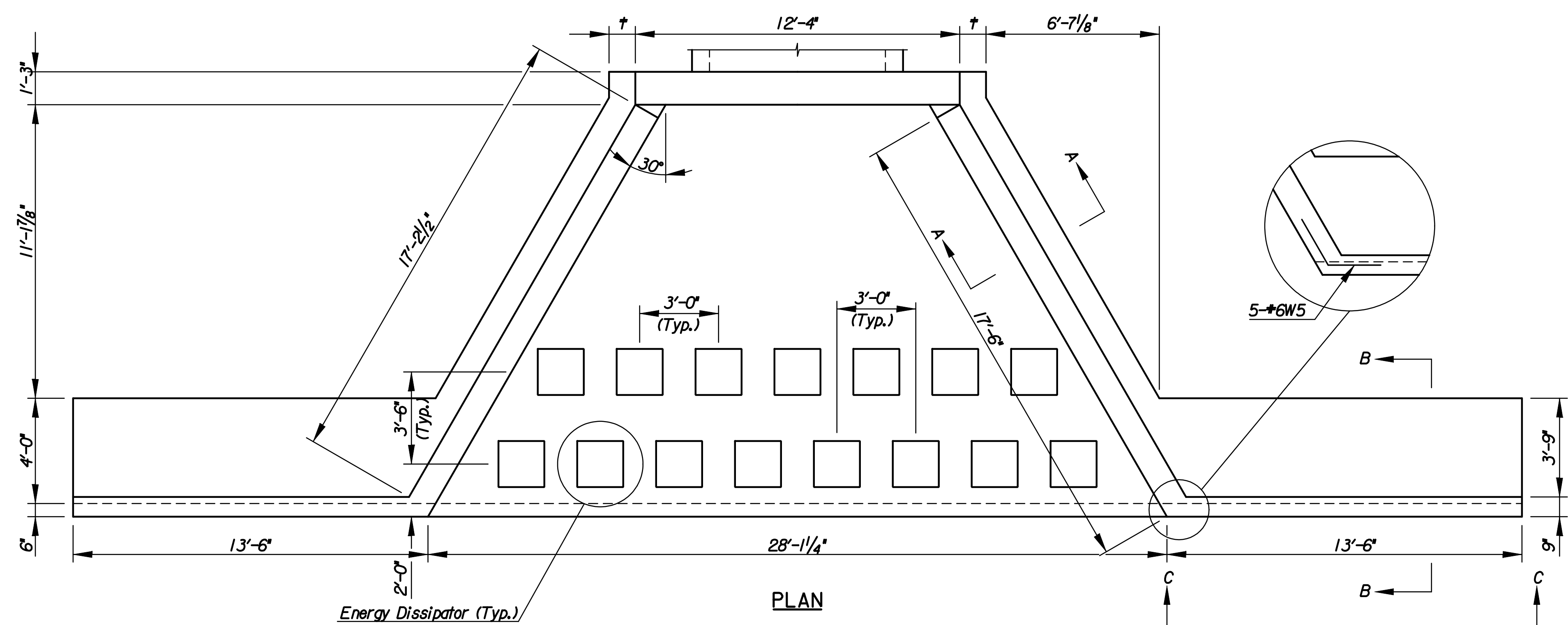
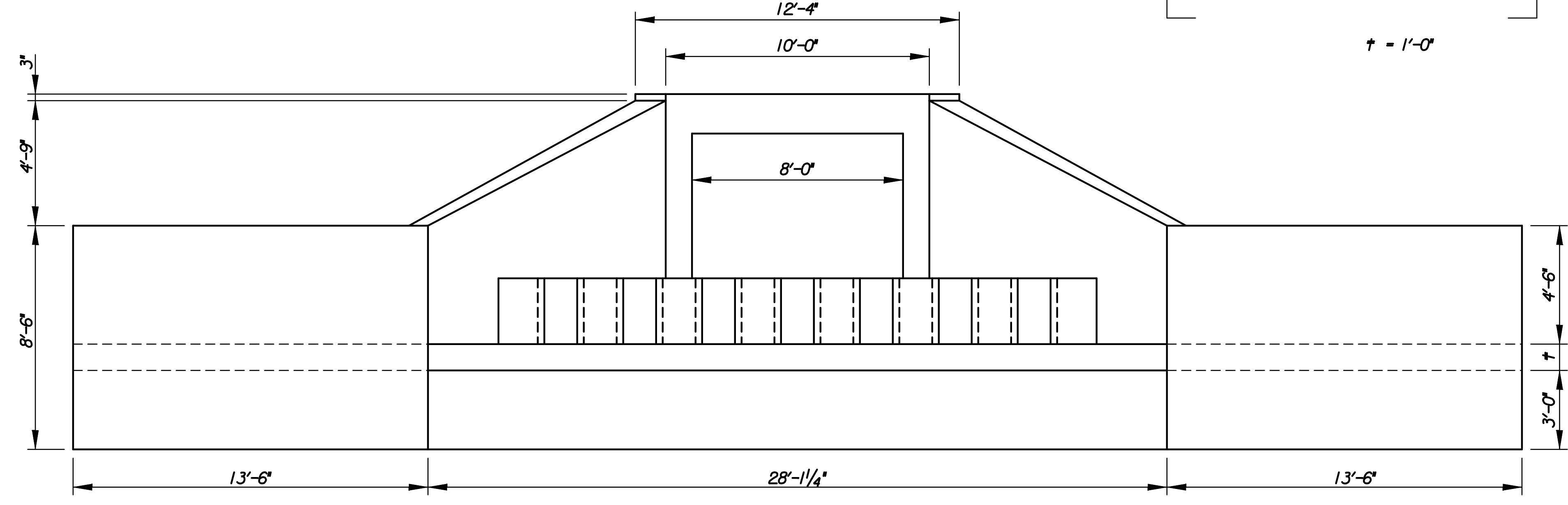


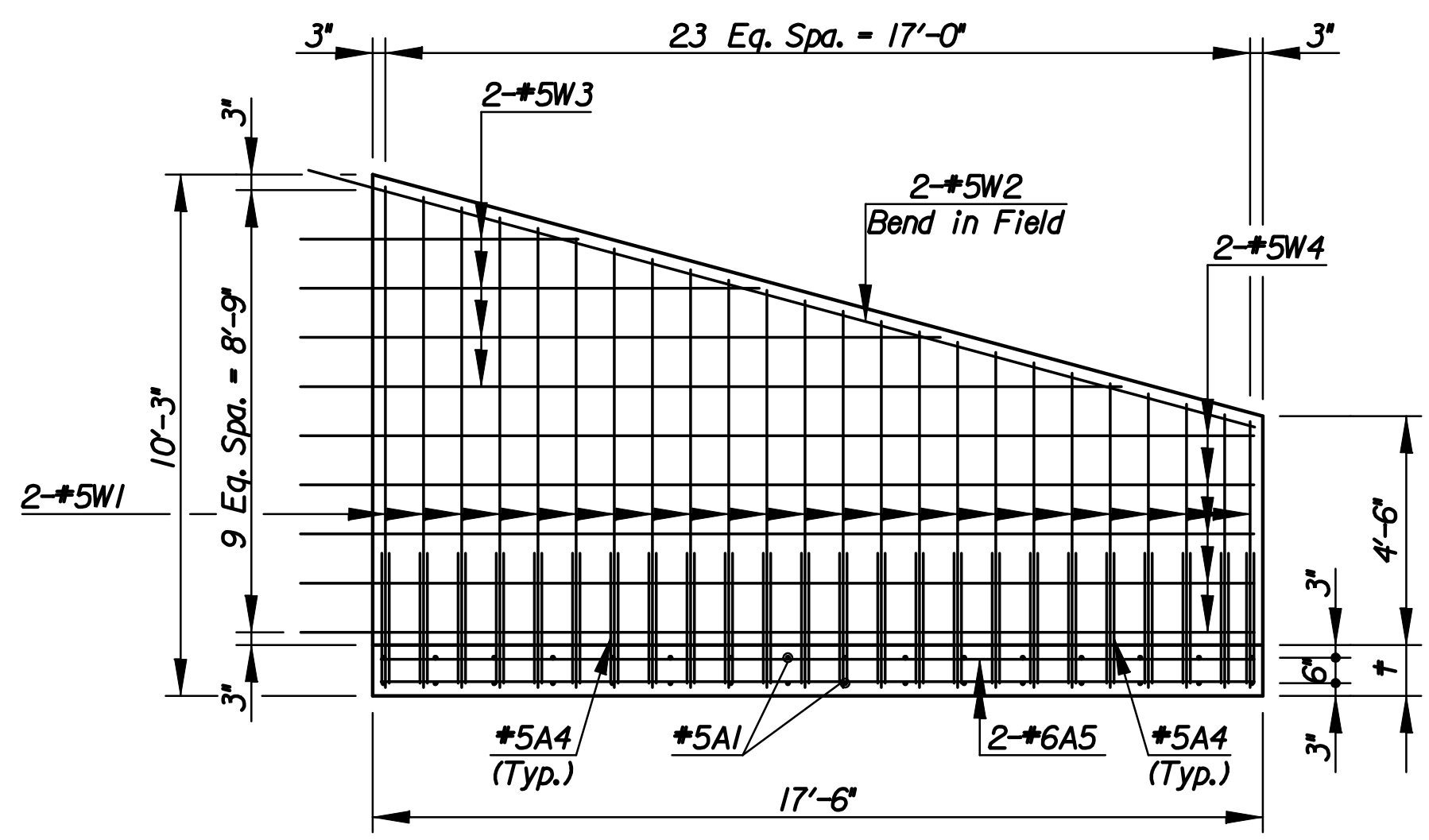
Plotted By: rjm
 Plotted: 6/30/2010
 File: I:\2009\09307\09307-000-8x8 RCB Details.dgn



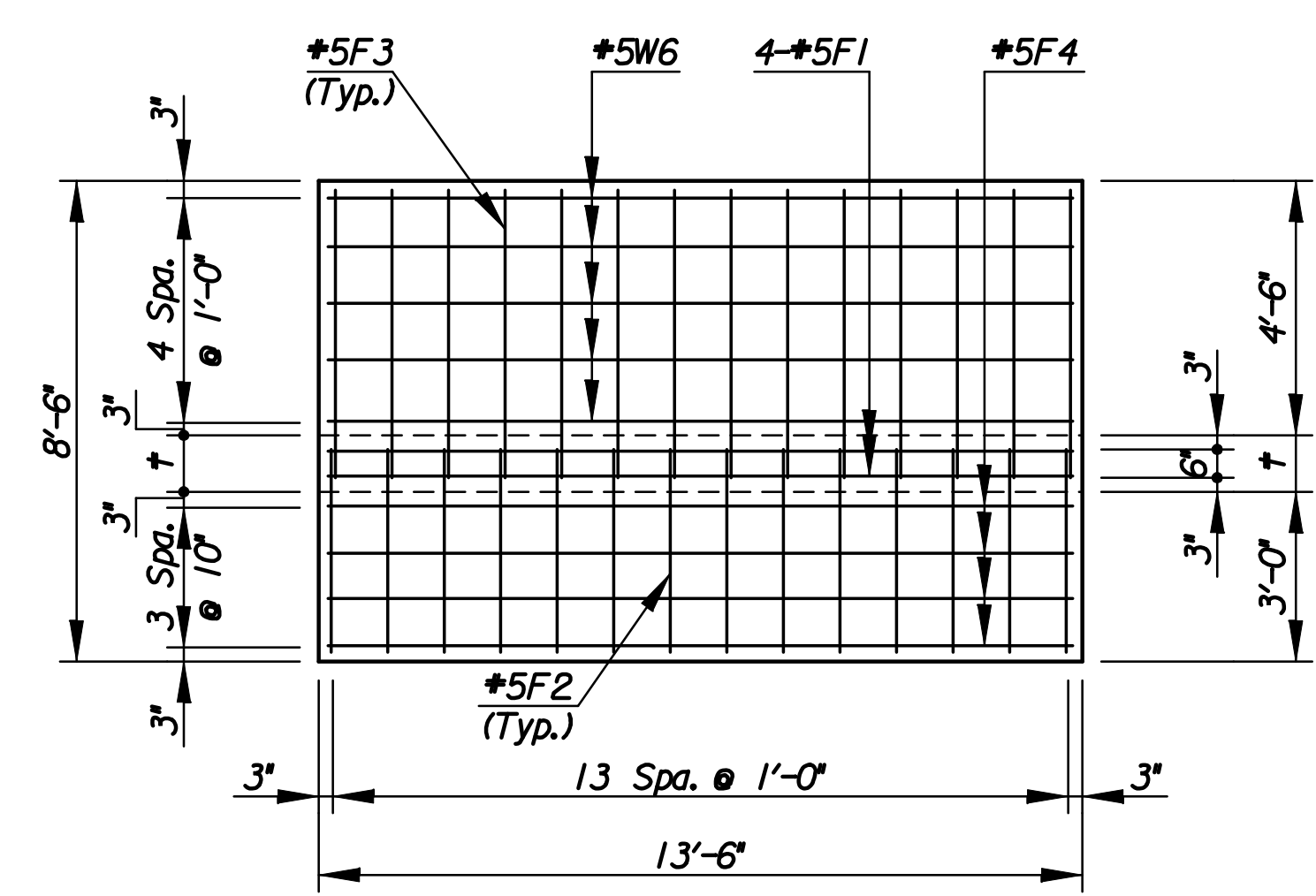
PLAN



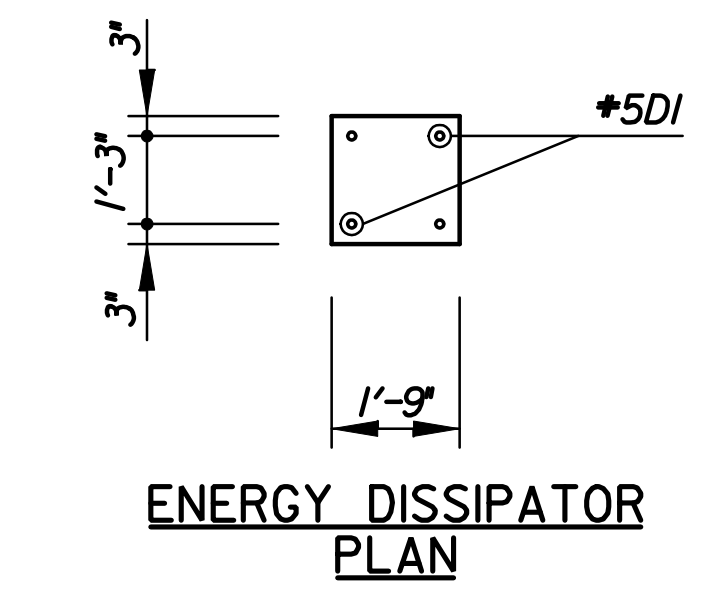
ELEVATION



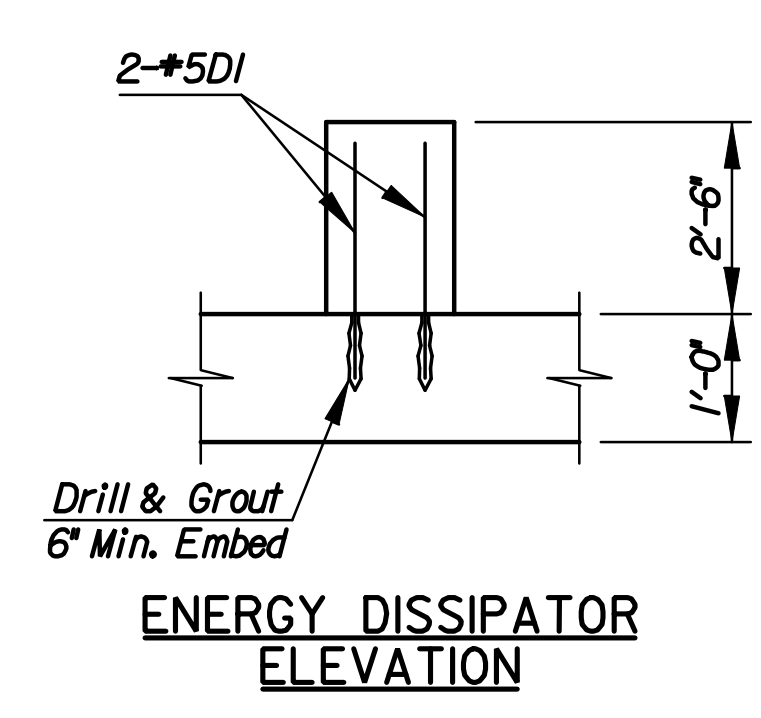
WING ELEVATION
 Headwall not shown for clarity



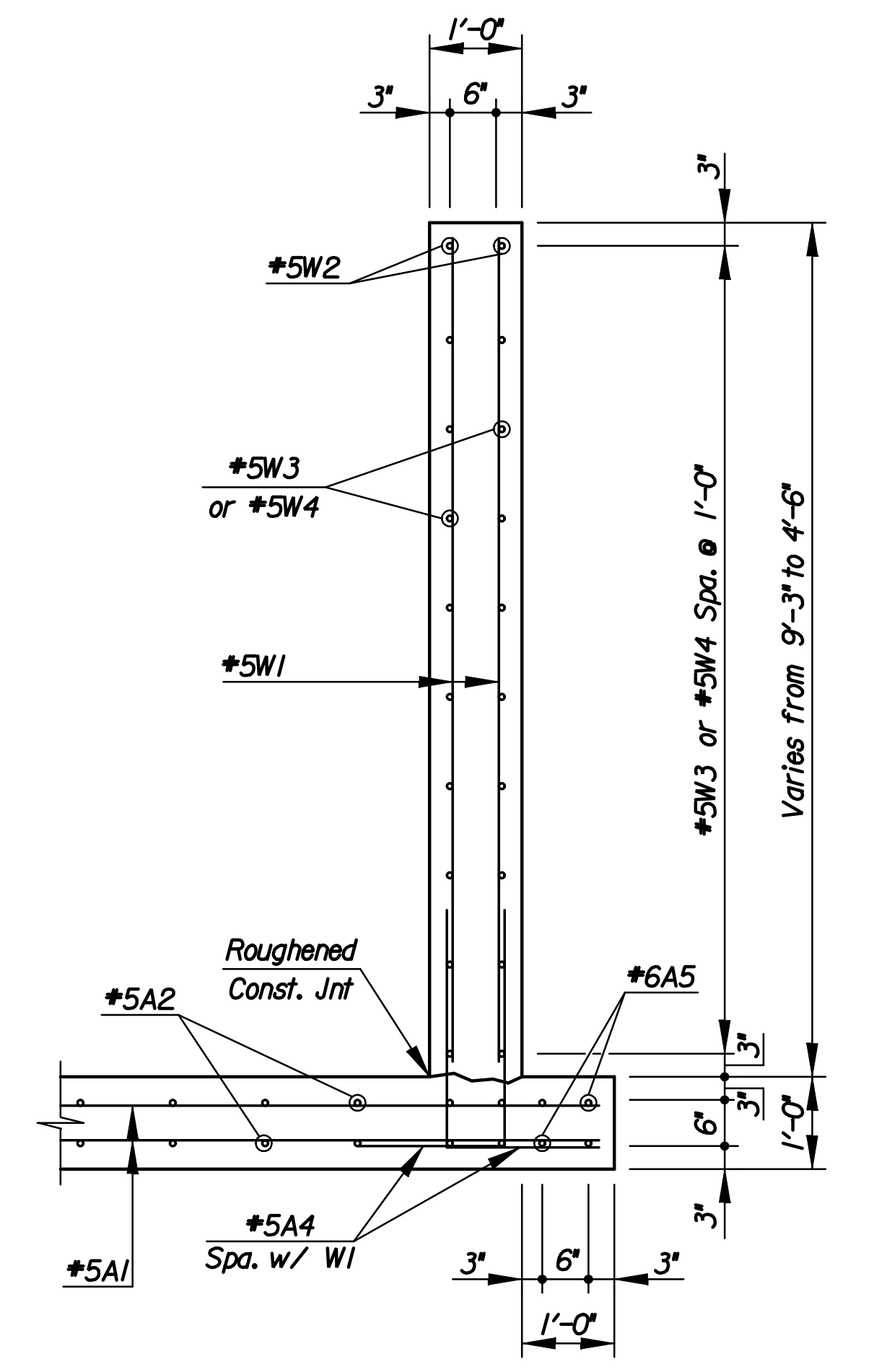
VIEW C-C



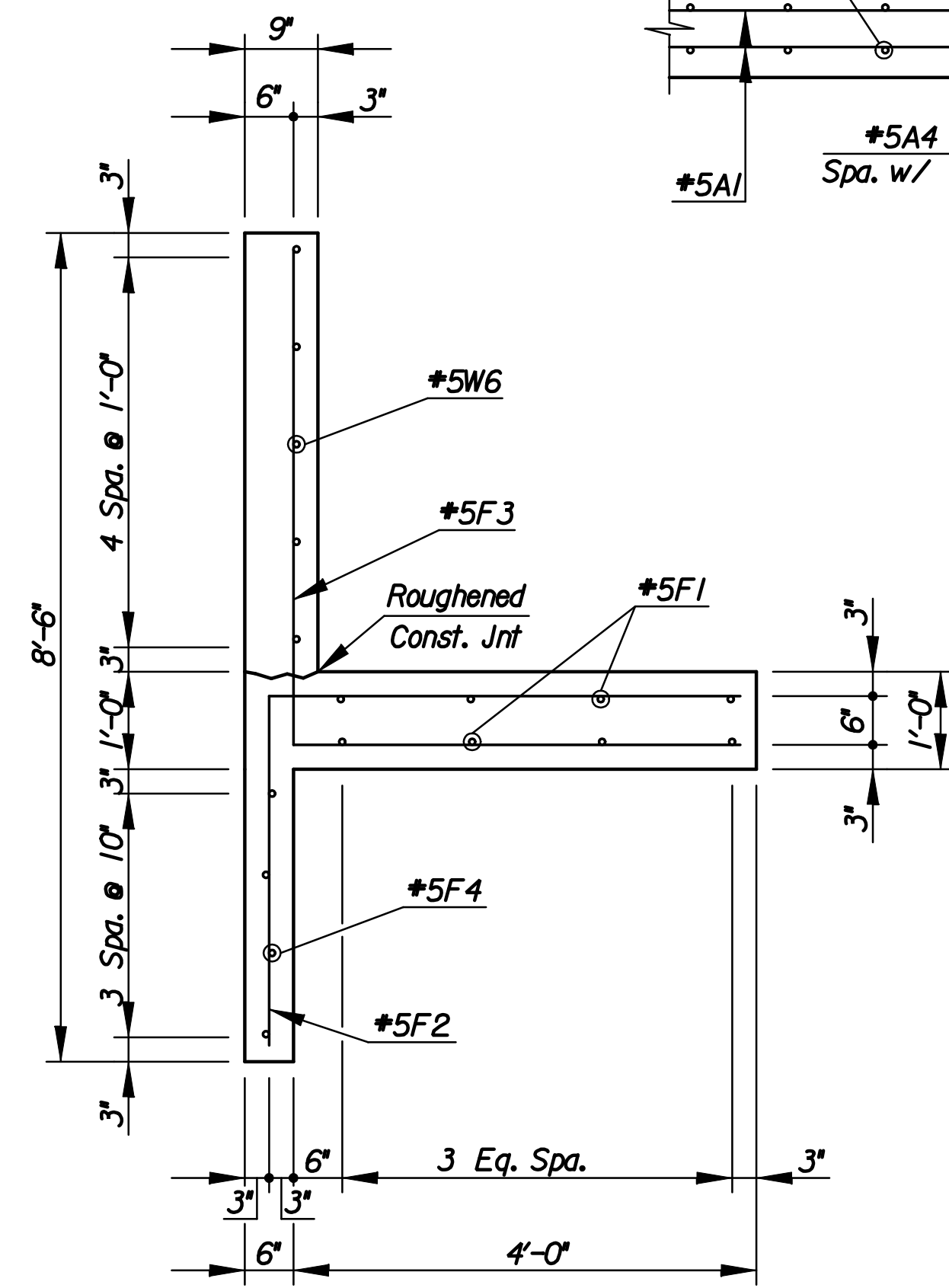
ENERGY DISSIPATOR PLAN



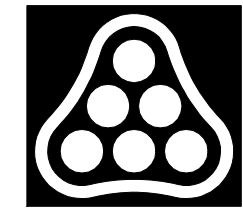
ENERGY DISSIPATOR ELEVATION



SECTION A-A



SECTION B-B



No.	Revision	By	Date
HEARTLAND PREPAREDNESS CENTER SINGLE 8' X 8' REINFORCED CONCRETE BOX HEADWALL DETAILS (1 of 2) JAMES L. ARMOUR, P.E. - CITY ENGINEER CITY OF WICHITA PROJ. NO. 472-84830			
Professional Engineering Consultants, P.A. 303 S. TOPEKA • WICHITA, KANSAS 67202 316-262-2691 • FAX 316-262-3003			
Designed by	RAS	Job No.	35-09307
Drawn by	CWPJ	Date	December 2009