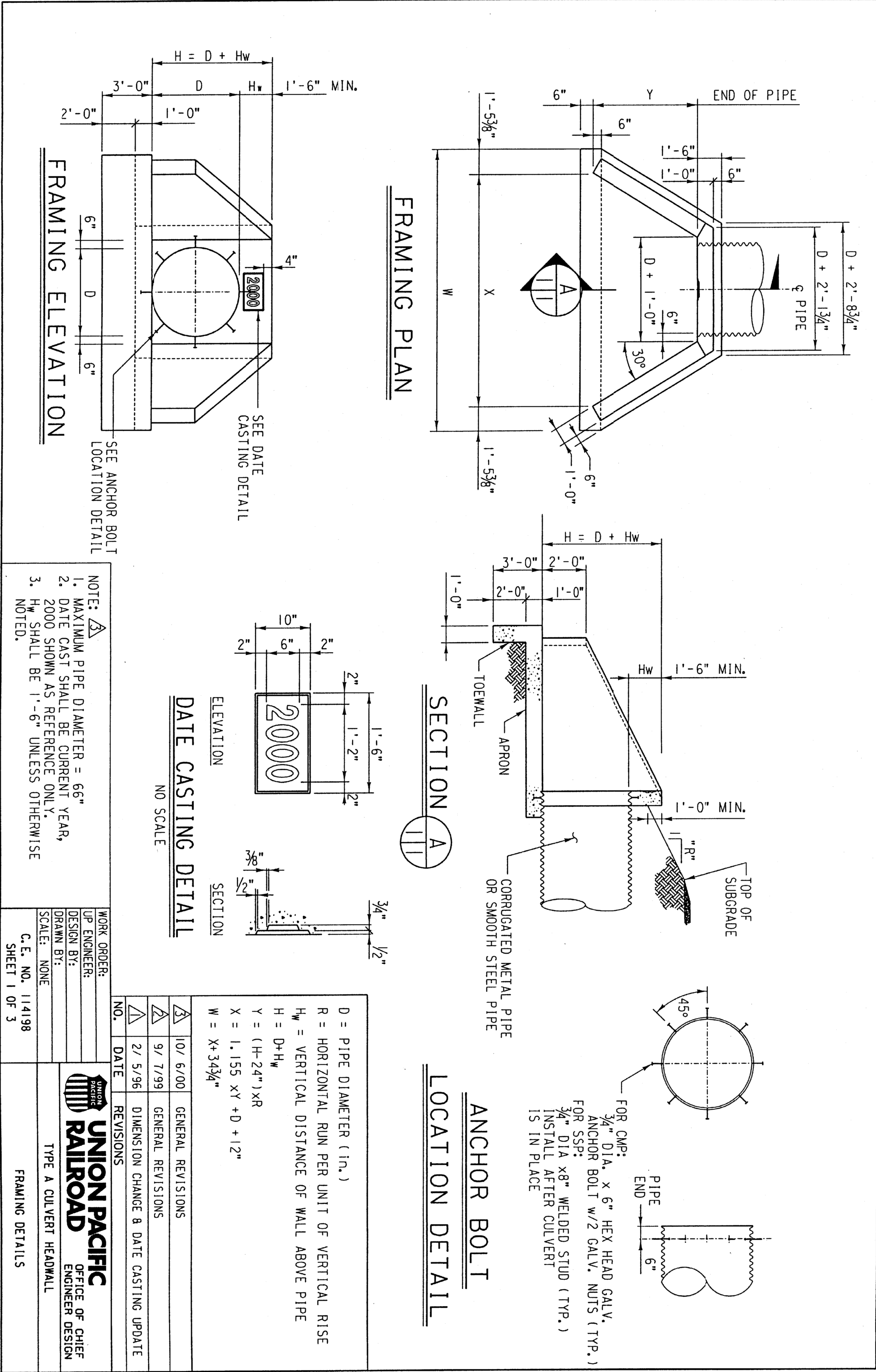


BY	DATE

FILE NAME: p:\ustation\dgn\std\headwall1.std

HNTEB
 ARCHITECTS ENGINEERS PLANNERS

This sheet designed by:



NOTE:
 1. MAXIMUM PIPE DIAMETER = 66"
 2. DATE CAST SHALL BE CURRENT YEAR, 2000 SHOWN AS REFERENCE ONLY.
 3. H_w SHALL BE 1'-6" UNLESS OTHERWISE NOTED.

WORK ORDER:
 UP ENGINEER:
 DESIGN BY:
 DRAWN BY:
 SCALE: NONE
 C. E. NO. 114198
 SHEET 1 OF 3

UNION PACIFIC RAILROAD
 OFFICE OF CHIEF ENGINEER DESIGN
 TYPE A CULVERT HEADWALL

NO.	DATE	REVISIONS
1	10/ 6/00	GENERAL REVISIONS
2	9/ 7/99	GENERAL REVISIONS
3	2/ 5/96	DIMENSION CHANGE & DATE CASTING UPDATE

D = PIPE DIAMETER (in.)
 R = HORIZONTAL RUN PER UNIT OF VERTICAL RISE
 H_w = VERTICAL DISTANCE OF WALL ABOVE PIPE
 H = D + H_w
 Y = (H - 24") X R
 X = 1.155 XY + D + 12"
 W = X + 34 3/4"

SHEET NO.	OF	SCALE	APP'D.	QUANTITIES	TRACED
DESIGNED	BY	DETAILED	BY	QUANTITIES	TRACED
DESIGN OK.		DETAIL OK.			

CITY OF WICHITA
 WICHITA CENTRAL CORRIDOR
 UPRR STANDARD
 TYPE A CULVERT HEADWALL
 SHEET 1 OF 3

STATE	PROJECT NO.	YEAR	SHEET NO.	TOTAL SHEETS
KANSAS	472-94071	2005	RS12	