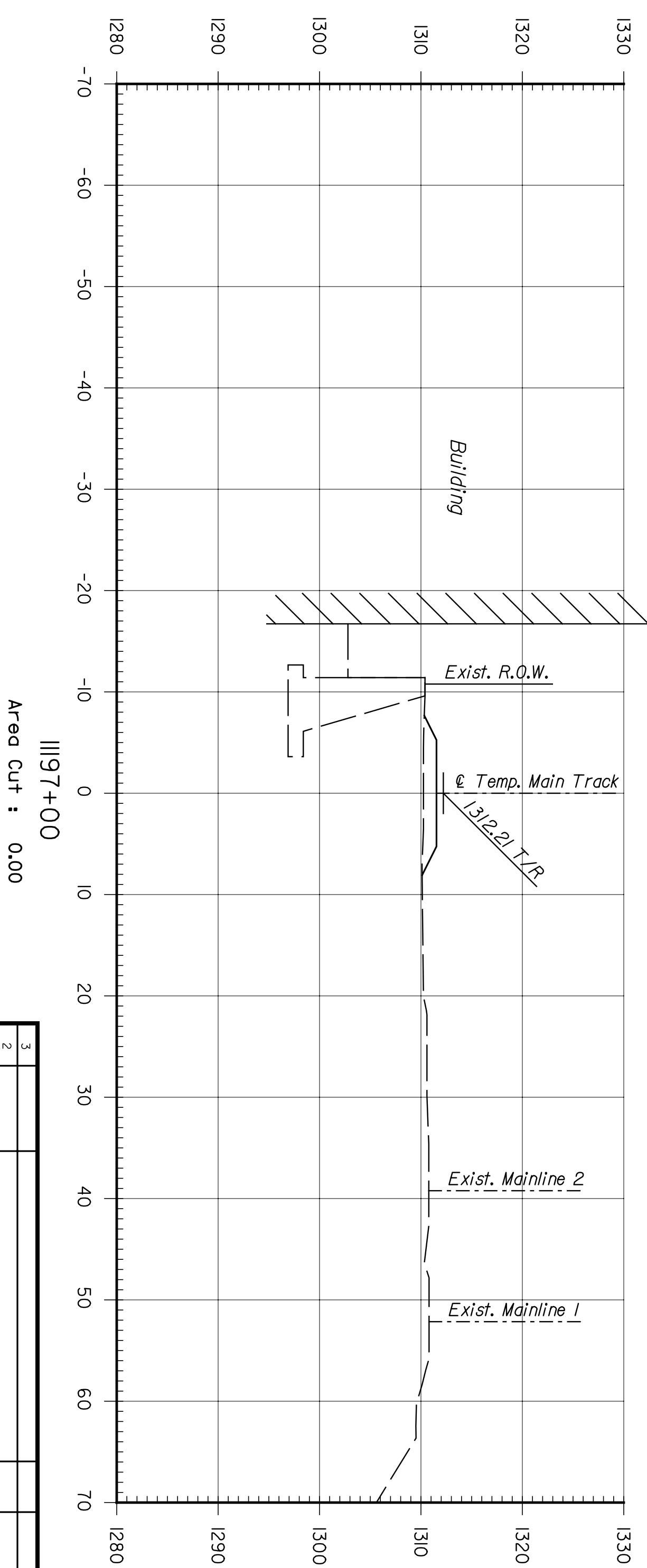
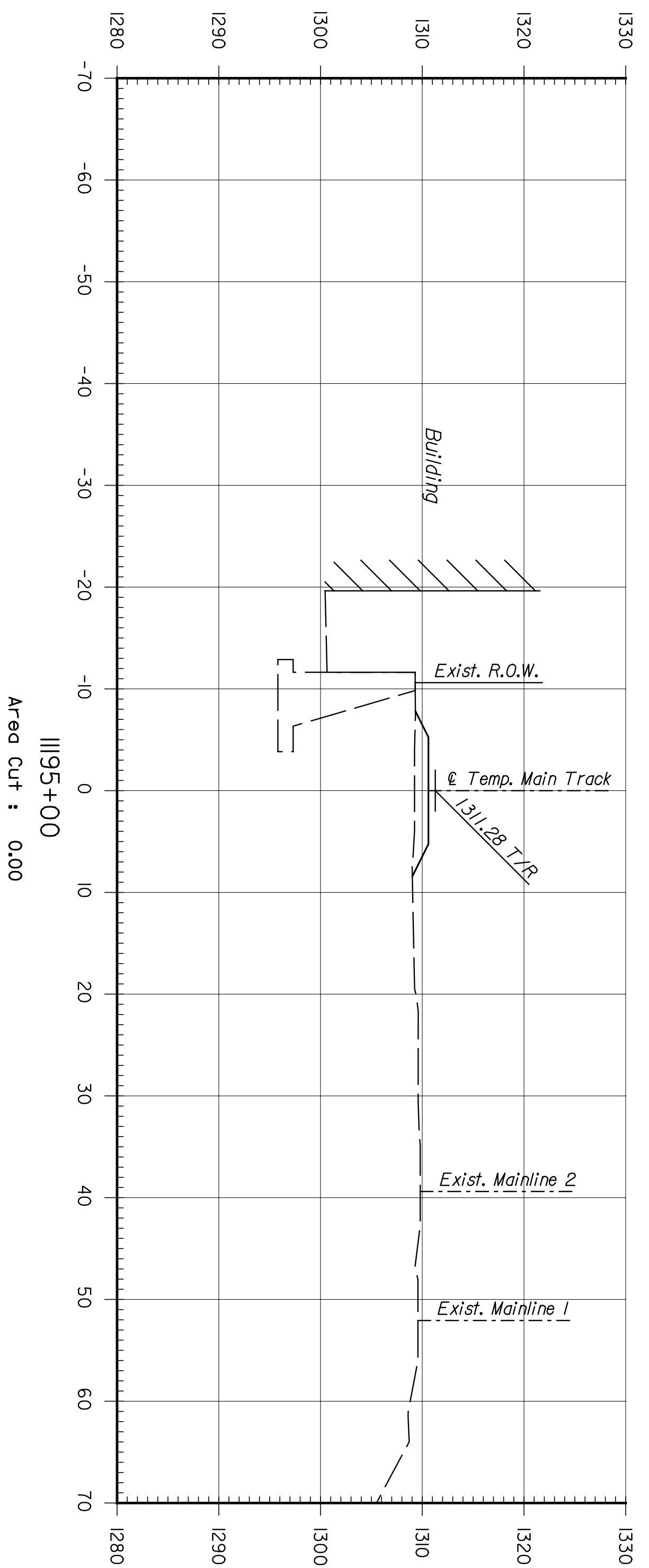
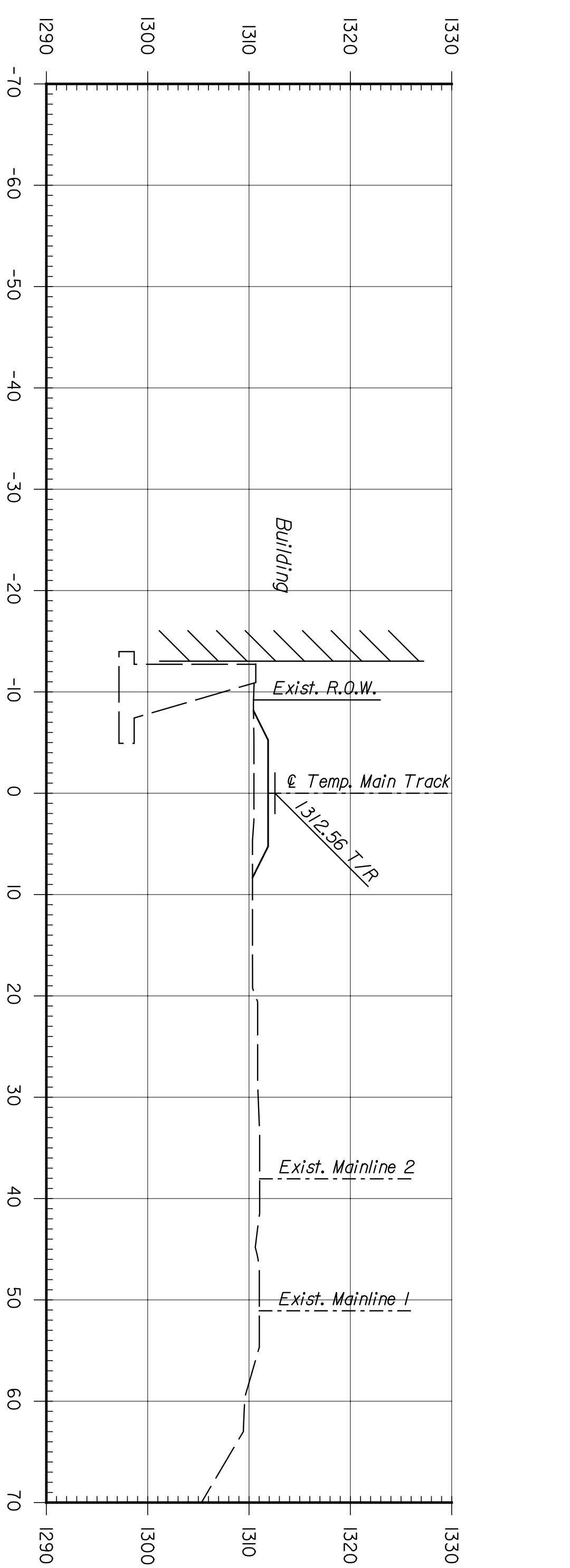
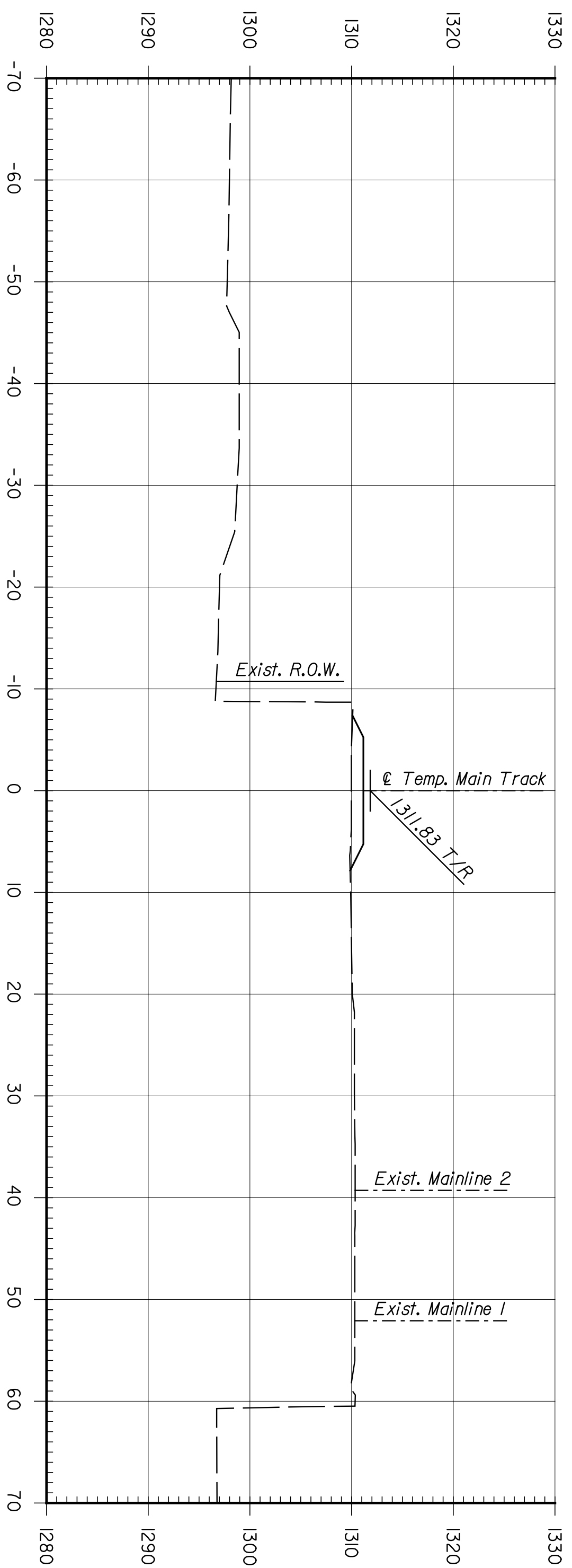


| BY | DATE |
|----|------|
|    |      |
|    |      |
|    |      |



**CNTB**  
 ARCHITECTS ENGINEERS PLANNERS

This sheet designed by:

| SHEET NO. |           | DATE | BY | APP'D. |
|-----------|-----------|------|----|--------|
| 1         | DESIGNED  |      |    |        |
| 2         | REVISIONS |      |    |        |
| 3         |           |      |    |        |

| DESIGN | SCALE | APP'D. | QUANTITIES | TRACED |
|--------|-------|--------|------------|--------|
|        |       |        |            |        |
|        |       |        |            |        |
|        |       |        |            |        |

**CITY OF WICHITA**  
**WICHITA CENTRAL CORRIDOR**  
 PHASE I - TRACK WORK  
 TEMPORARY MAIN TRACK  
 CROSS SECTIONS

| STATE  | PROJECT NO. | YEAR | SHEET NO. | TOTAL SHEETS |
|--------|-------------|------|-----------|--------------|
| KANSAS | 472-84071   | 2005 | 16/17     |              |