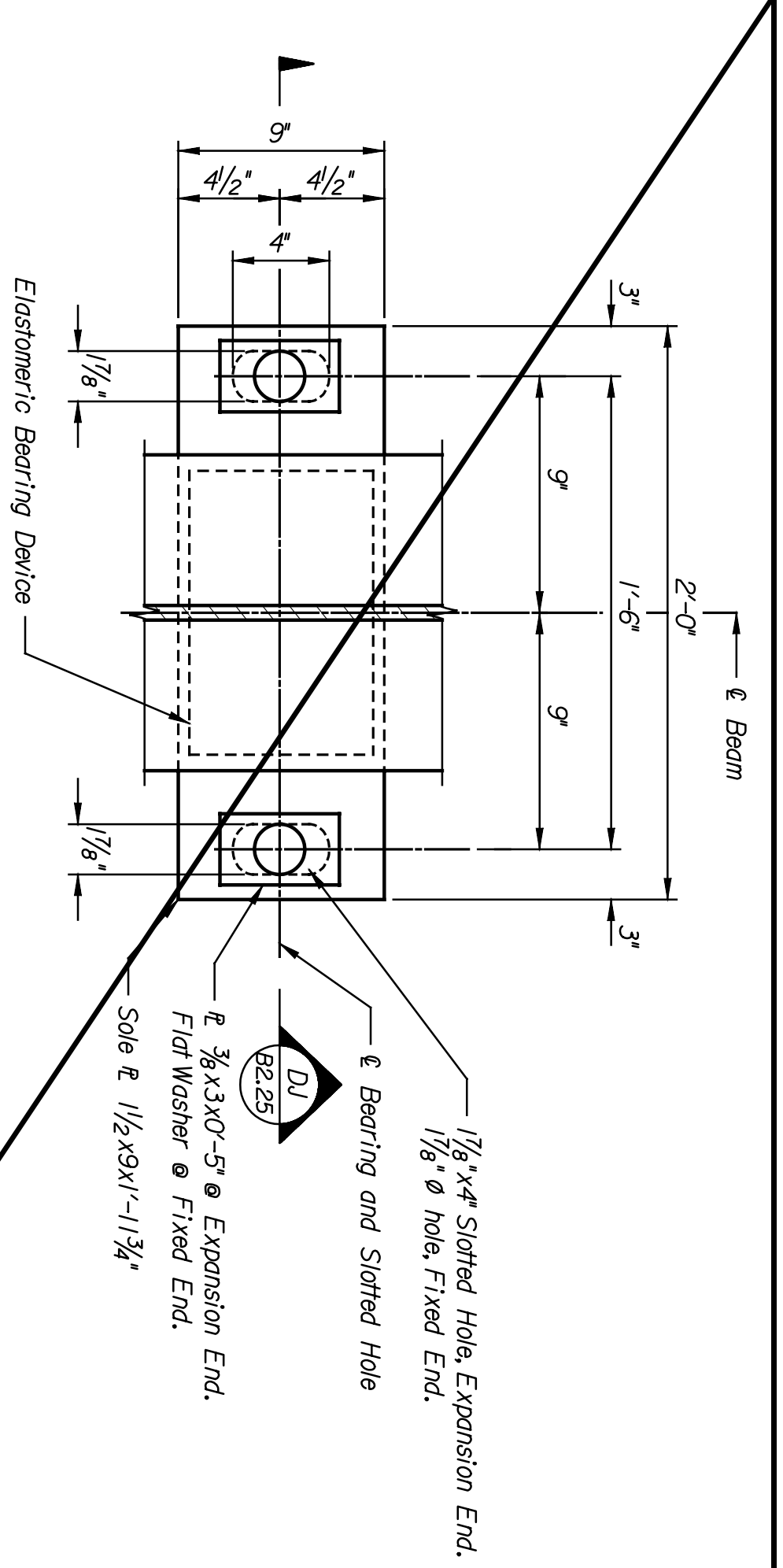
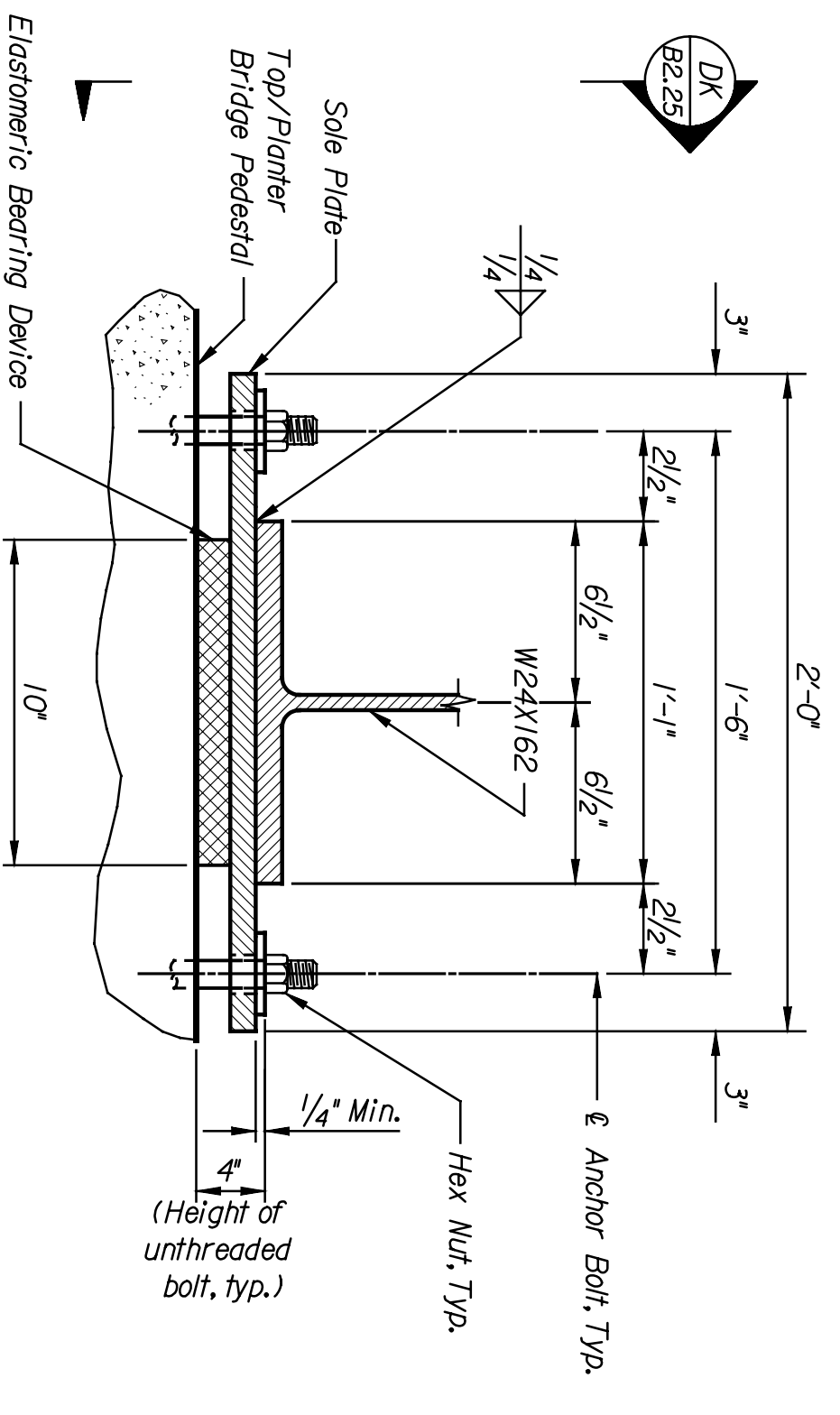


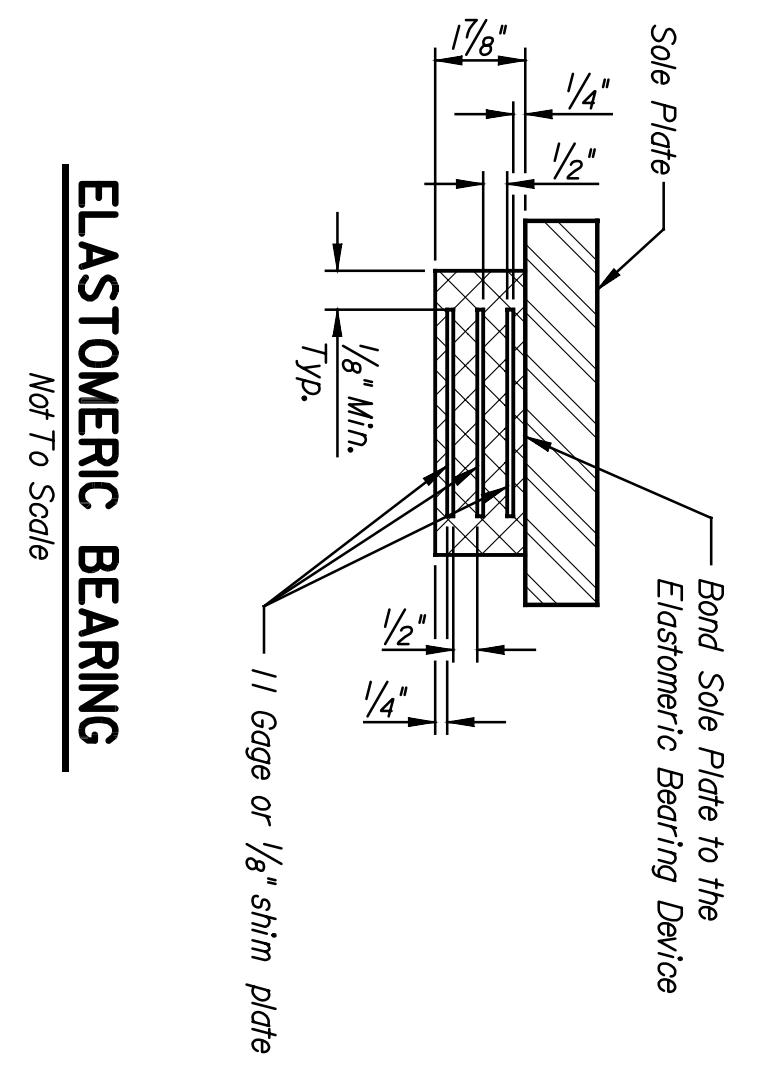
BY	DATE



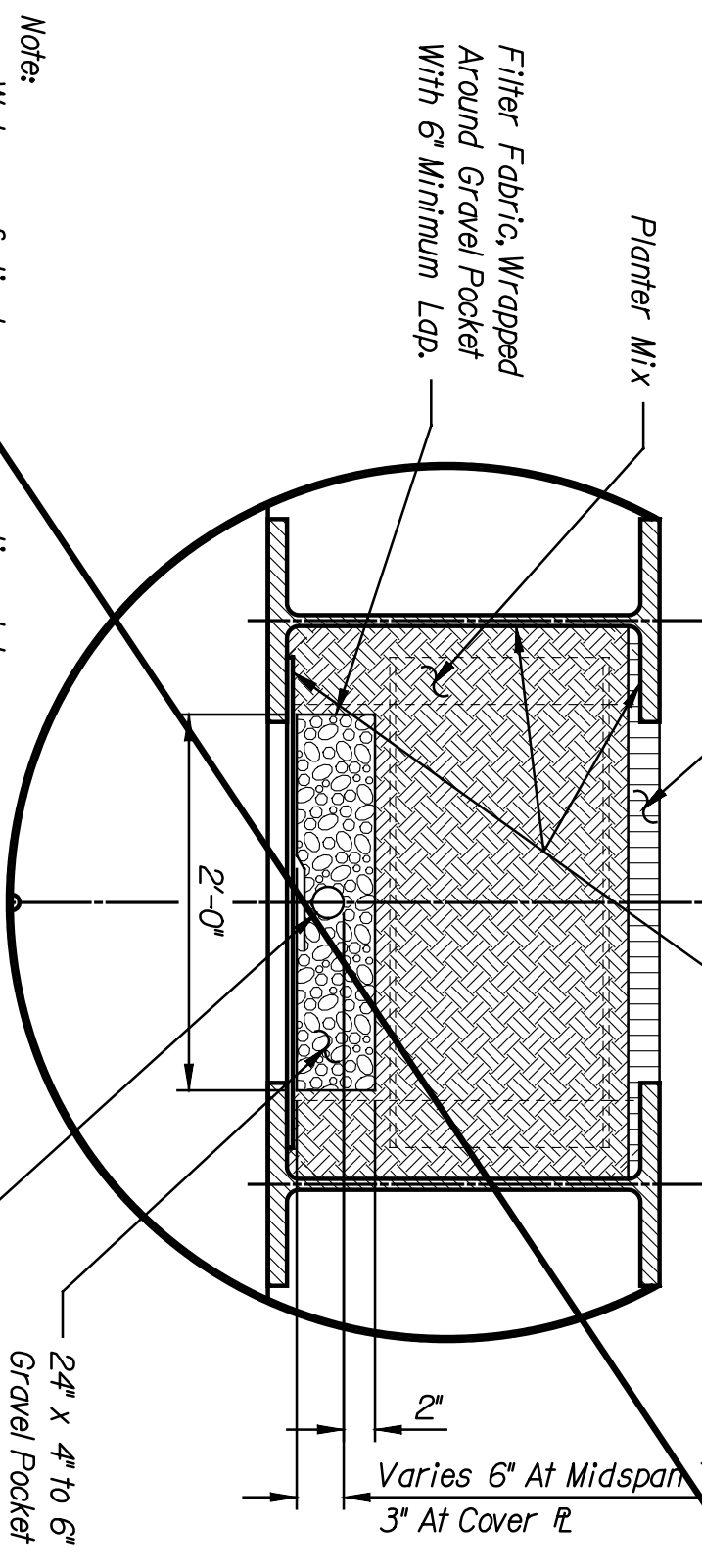
**SECTION DH**  
 Not To Scale  
 B2.24



**SECTION DK**  
 Not To Scale  
 B2.25

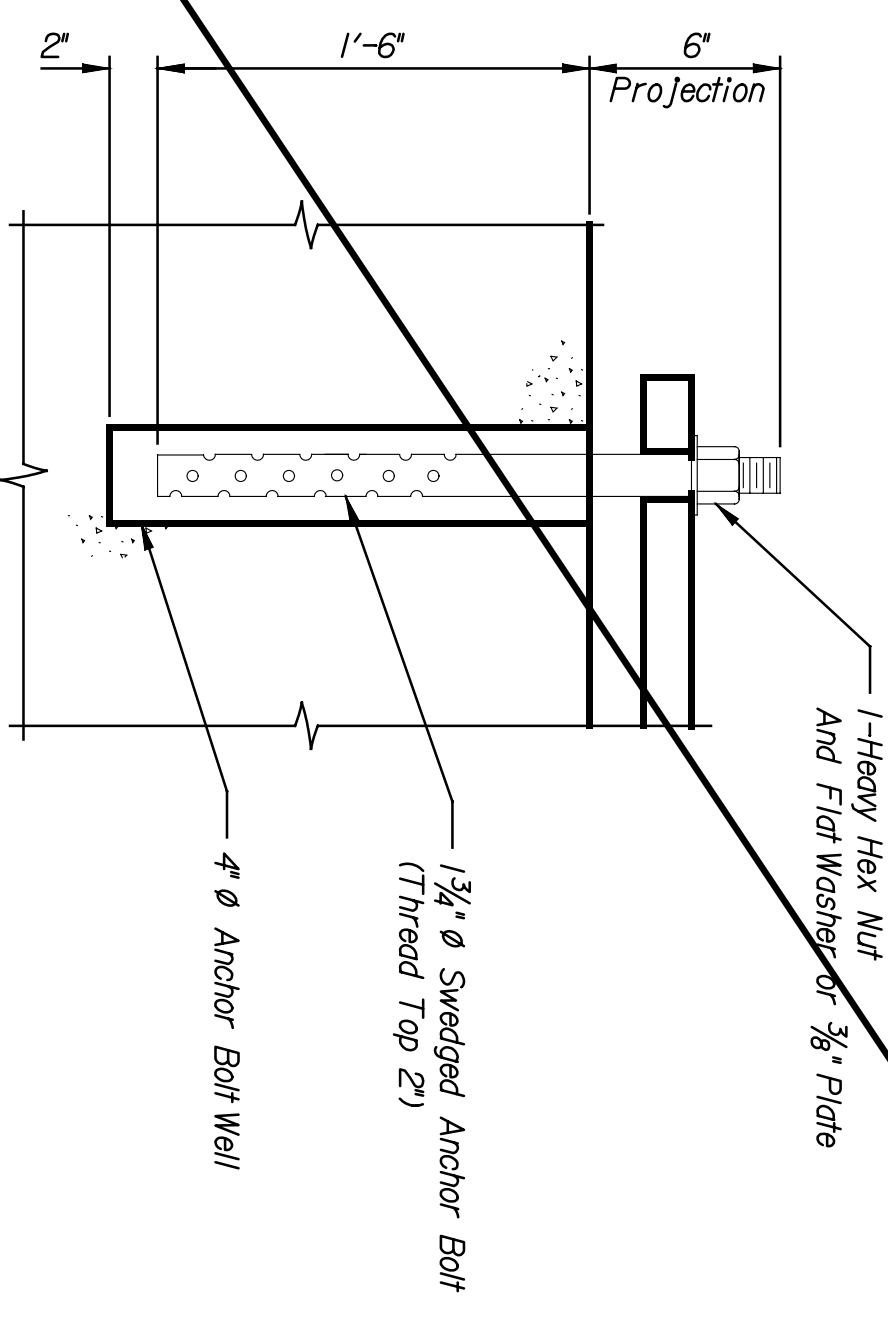


**ELASTOMERIC BEARING**  
 Not To Scale

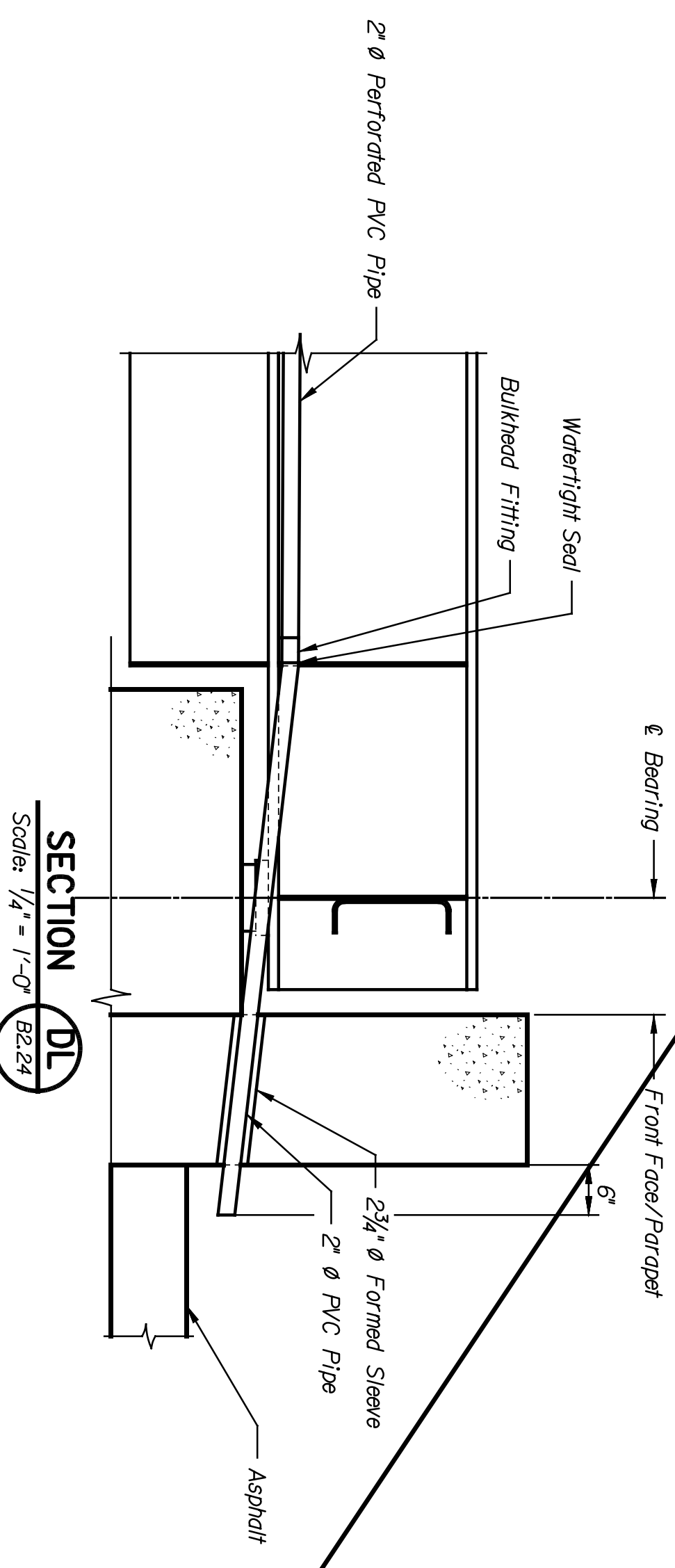


**SECTION DG**  
 Scale: 1" = 1'-0"  
 B2.24

Note:  
 Waterproof diaphragms, connection plates, and cover plates and other surfaces exposed to planter mix.



**ANCHOR BOLT WELL DETAIL**  
 Scale: 1/2" = 1'-0"



**SECTION DL**  
 Scale: 3/4" = 1'-0"  
 B2.24

Hardwood Mulch, Planter Mix, Filter Fabric, and Gravel Pocket Not Shown For Clarity.

STATE	PROJECT NO.	YEAR	SHEET NO.	TOTAL SHEETS
KANSAS	472-84071	2005	B2.25	

NOTES:  
 Anchor bolts for the expansion end shall be of the size shown and composed of steel conforming to ASTM A1554, Grade 105, Class 1A or 2A, with Supplementary Requirement S3; each with one rectangular plate washer of 1/2" size shown and one Heavy Hex Nut ASTM A563, Grade D.

All holes for anchor bolts will be 3/8" larger than the nominal anchor bolt diameter, unless noted otherwise.

All holes through main structural members shall be drilled full-size or shall be sub-drilled 1/4" less than full diameter and reamed to full-size.

All washers shall be located under the turned element.

The materials, fabrication and installation of the Elastomeric Bearing Devices shall conform to the specifications.

The elastomeric bearing devices shall be bonded to the sole plate by vulcanization.

The waterproofing for the interior of the planter bridge shall consist of a 0.100-inch thick cold-spray-applied waterproofing membrane applied to all surfaces in contact with the planter mix, as indicated in the plans and specifications.

The underdrain for the planter bridge shall consist of a geocomposite drain-perforated and non-perforated PVC pipe, Schedule 40, with fittings and clean gravel fill conforming to the specifications.

The planter mix shall be as specified on the Planting Plans. Planting Details and Specifications.

Refer to Planter Bridge Details I for additional notes.

REFERENCES:  
 Anchor Bolt Layout, Refer to B2.5.  
 Irrigation Plan, Refer to L3.01.  
 Planting Plan, Refer to L2.01.

NO.	DATE	REVISIONS	BY	APP'D.
3				
2				
1				

**CITY OF WICHITA**  
**13TH STREET**  
**WICHITA CENTRAL CORRIDOR**  
**PLANTER BRIDGE DETAILS**

DESIGNED	CHKD	SCALE AS NOTED	APP'D.
DESIGN GR.	EDW	DETAILED	EDW
		QUANTITIES	DMH
		DRN	DMH
		TRACED	DMH
		FRAME	DMH
		CHK.	DMH

LOCATION: PMSF BR. 201A  
 WICHITA, KS  
 LINE SEGMENT 7400

This sheet designed by: