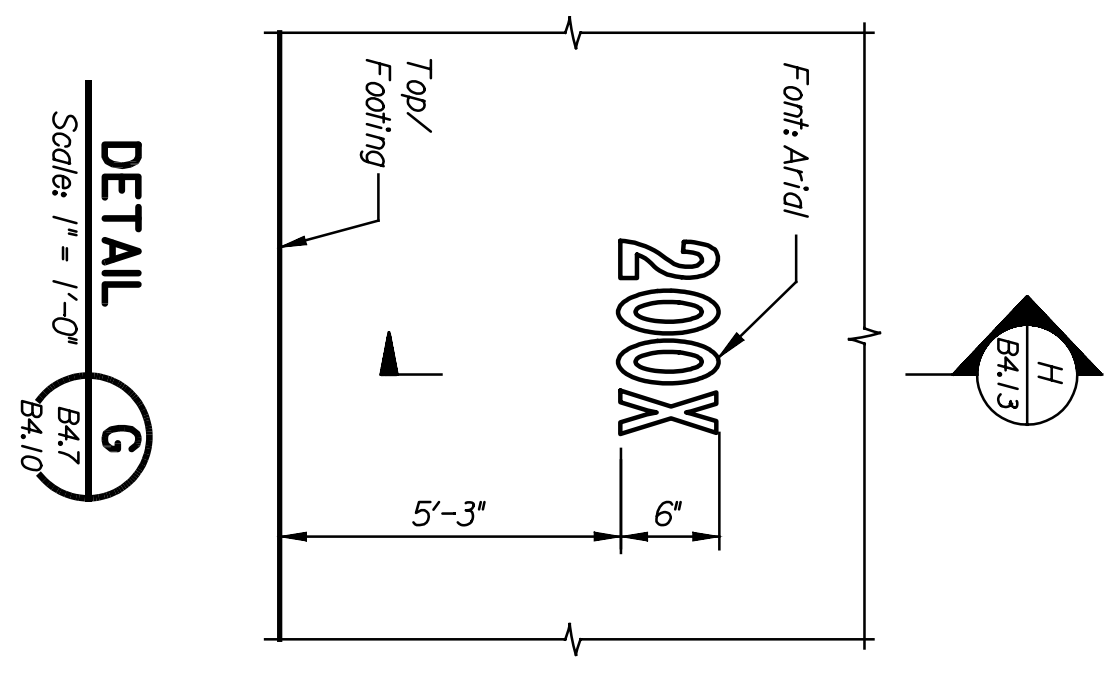
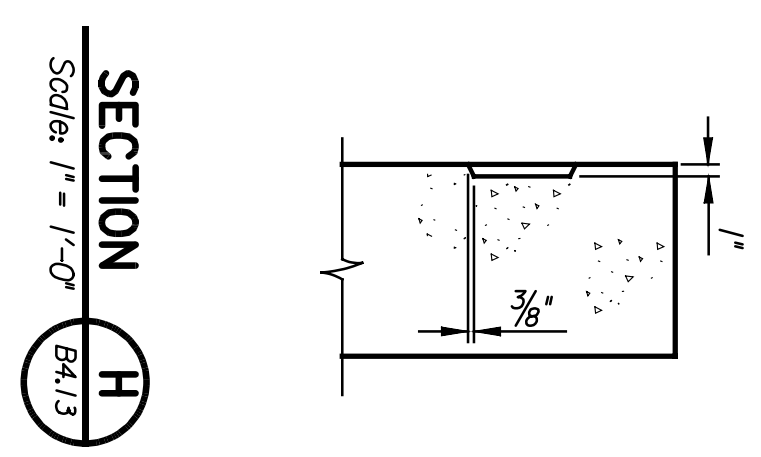
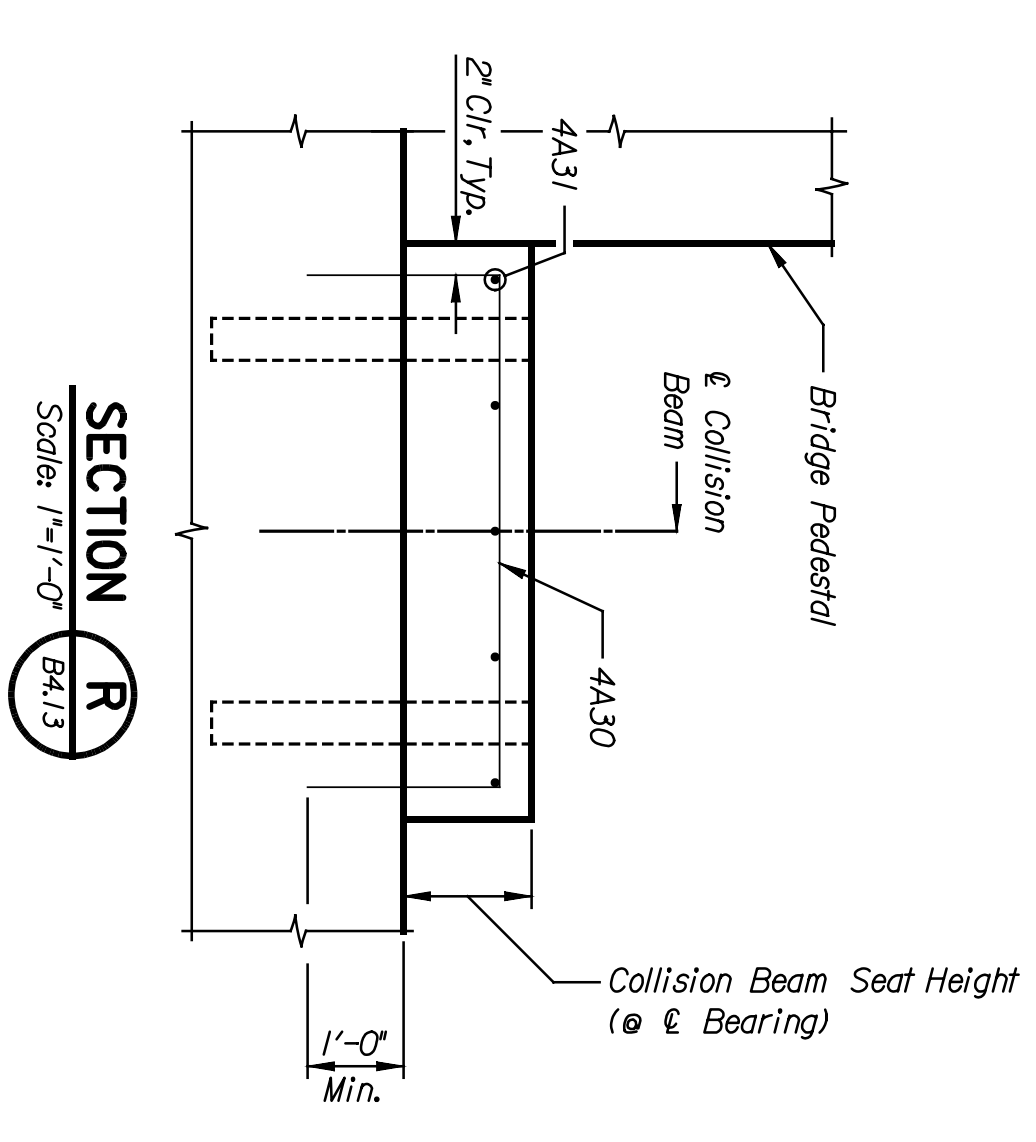
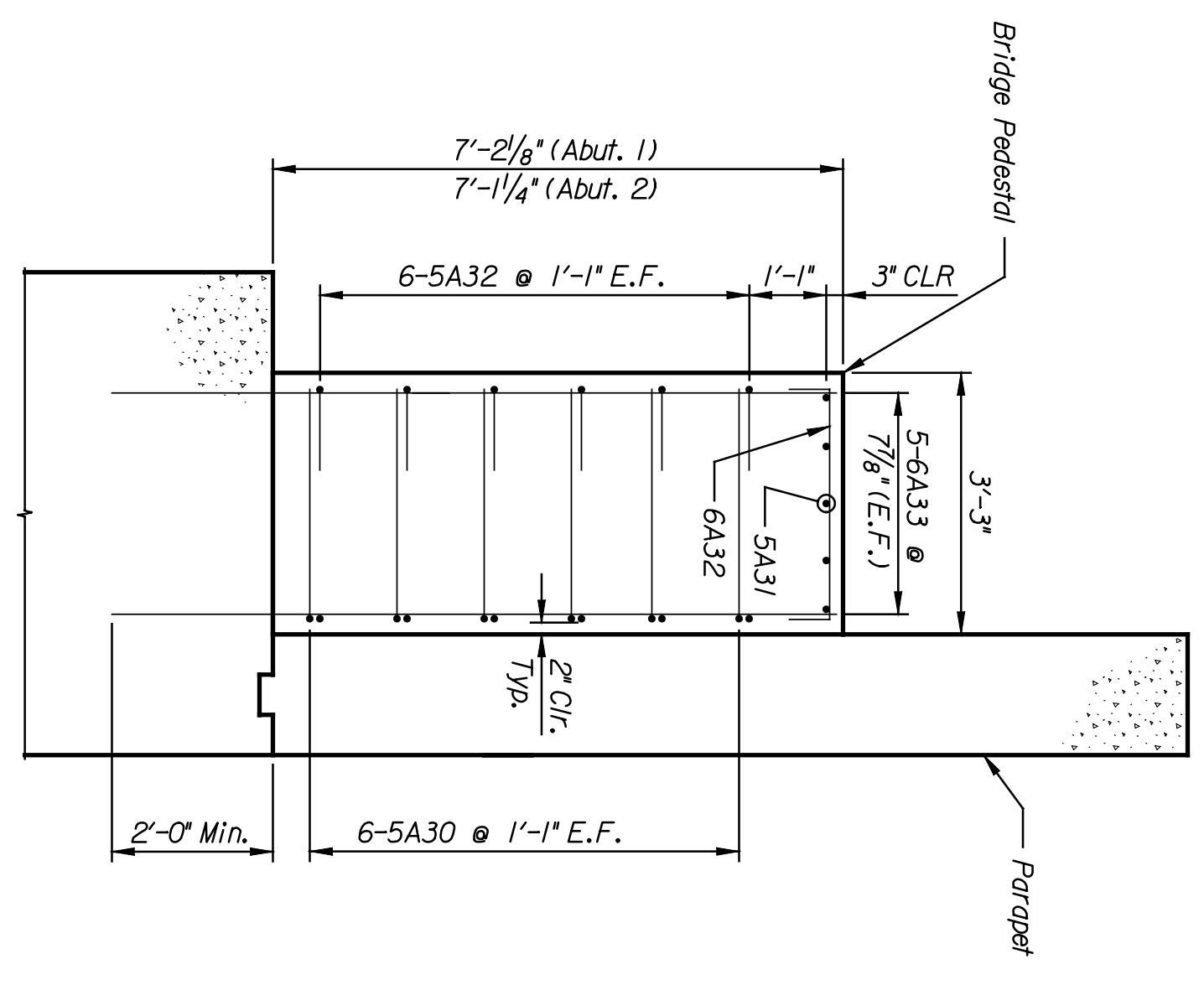
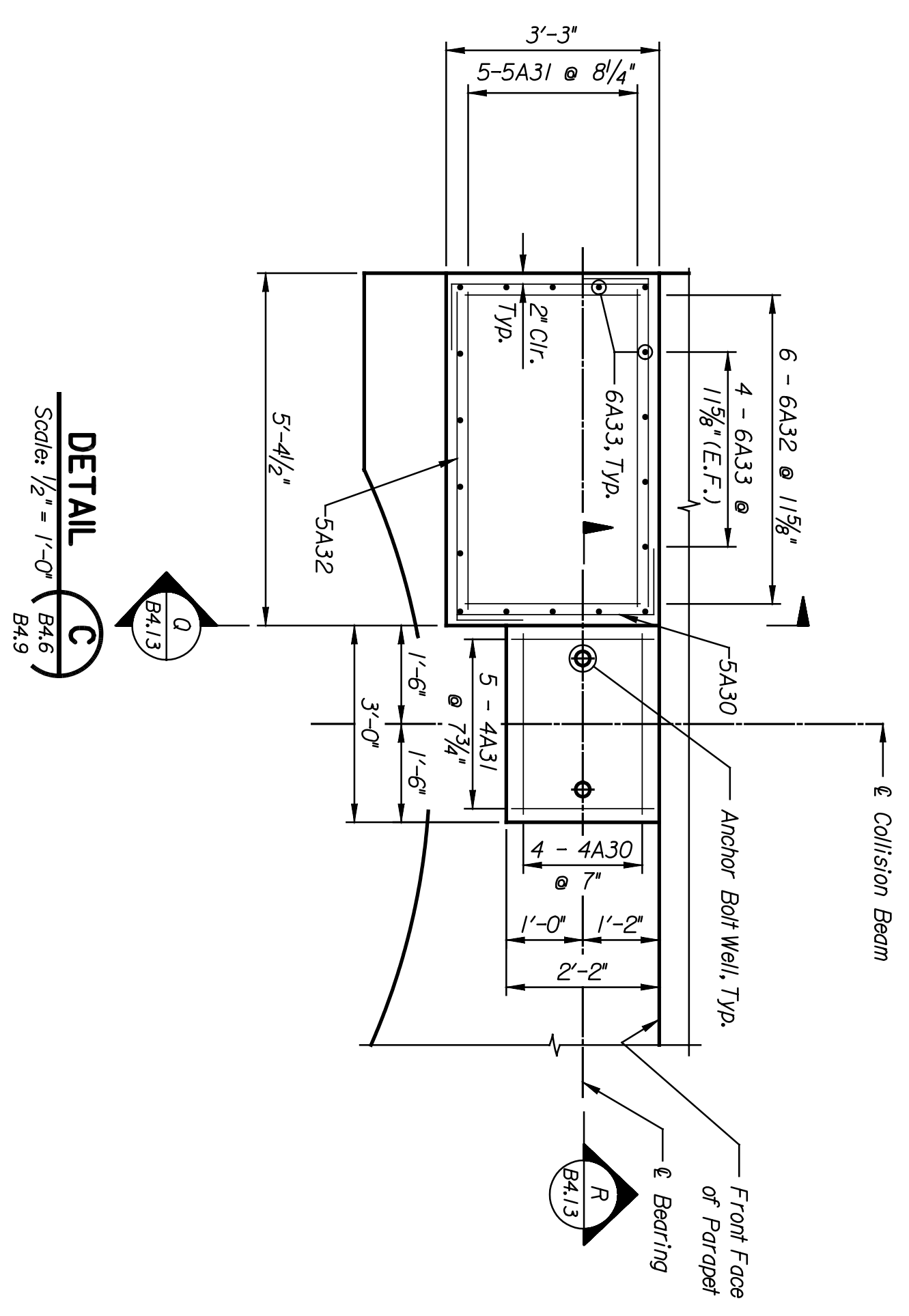
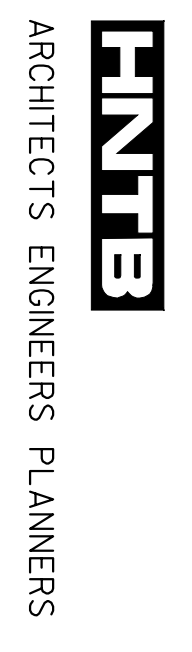


BY	DATE



NOTE:
 Add just reinforcing to maintain clear cover to concrete surfaces.
 The year of construction shall be as directed by the Engineer.

This sheet designed by:



COLLISION BEAM SEAT HEIGHTS			
ABUTMENT	CORNER	WEST	EAST
1		5 1/2"	7 1/2"
2		4 1/2"	6 1/2"

LOCATION: RWSF BR 2018	WICHITA, KS	LINE SEGMENT 7400
SHEET NO. OF	SCALE AS NOTED	APP'D.
DESIGNED: GMS	DETAILED: UJA	QUANTITIES: DJL
DESIGN CK: FND	DETAIL CK: JWH	QUANTITIES: DMH
TRACED: DJL	TRACED: GMS	TRACED: DMH
CITY OF WICHITA		
WICHITA CENTRAL CORRIDOR		
ABUTMENT DETAILS		
NO.	DATE	REVISIONS
1		
2		
3		

NOTES:
 Refer to Abutment No. 1 for Abutment Notes.

STATE	PROJECT NO.	YEAR	SHEET NO.	TOTAL SHEETS
KANSAS	472-84071	2005	B4.13	