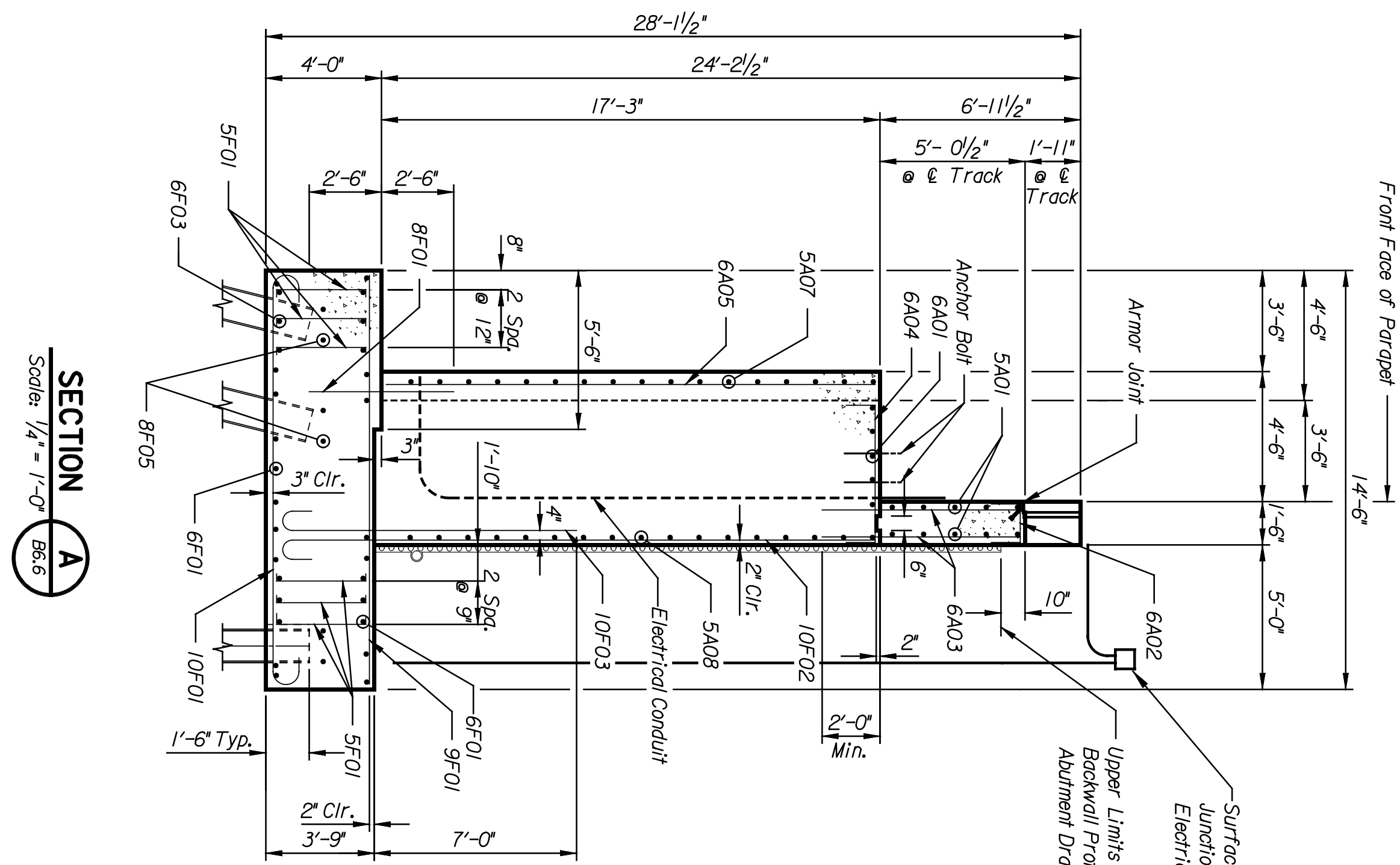
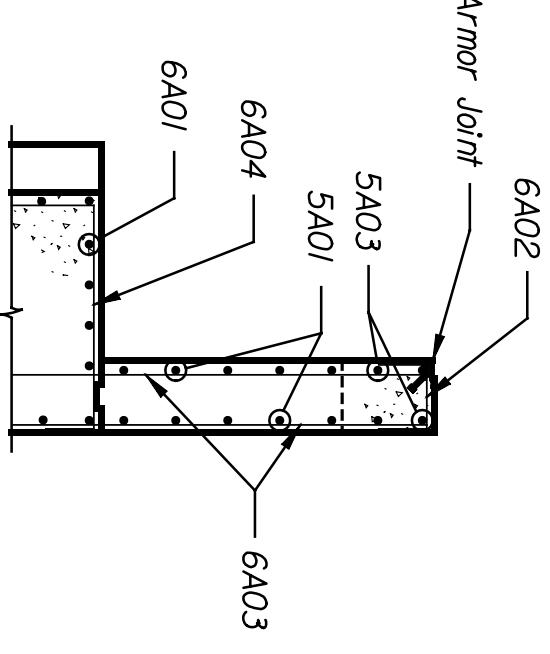
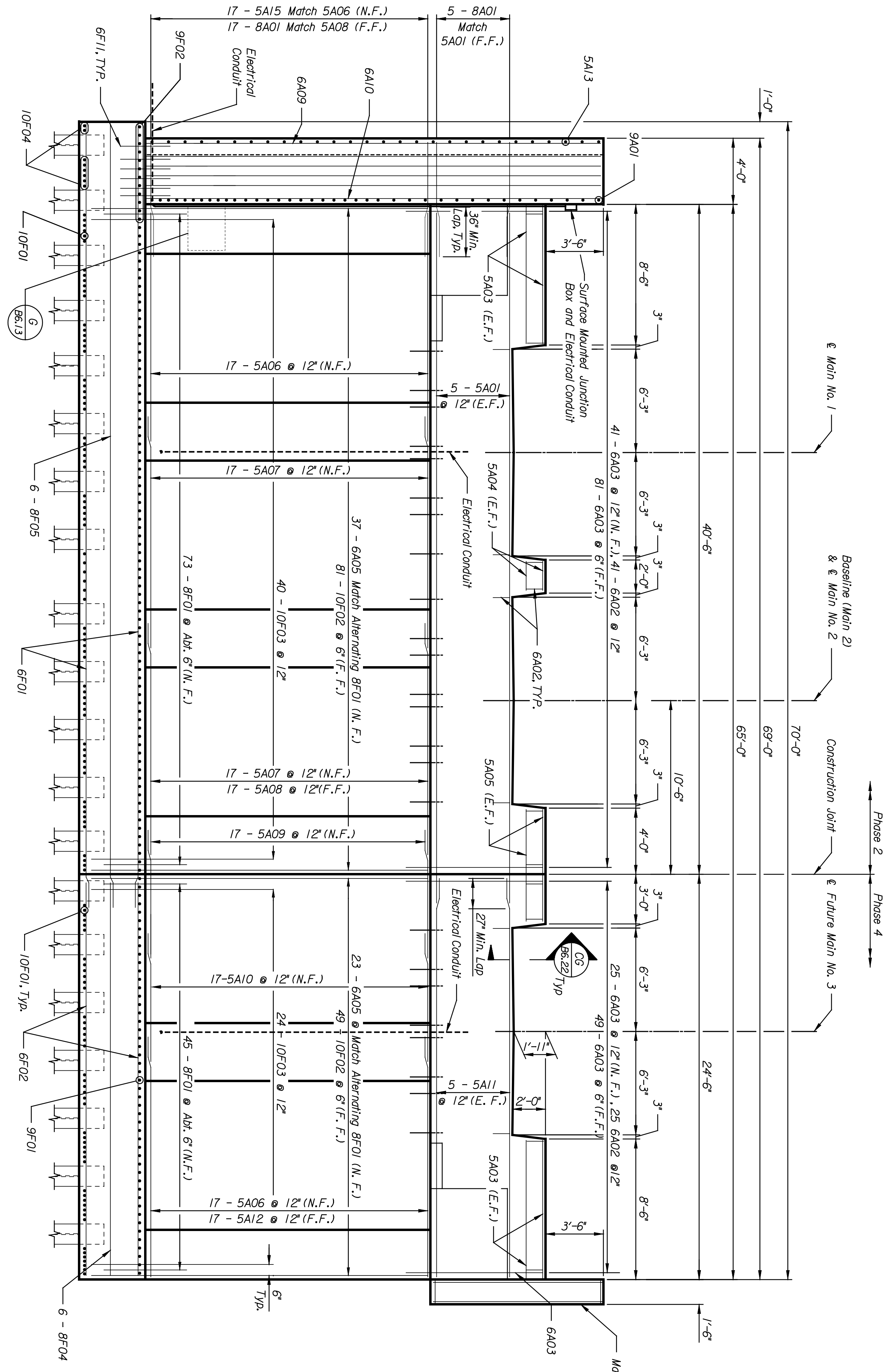


BY	DATE

PNTB
 ARCHITECTS ENGINEERS PLANNERS

This sheet designed by:



NOTES:
 Collision beam pedestal reinforcing not shown for clarity.
REFERENCES:
 Collision beam pedestal, Refer to B6.13.

STATE	PROJECT NO.	YEAR	SHEET NO.	TOTAL SHEETS
KANSAS	472-84071	2005	B6.7	

LOCATION: RWSF BR. 20.2	WICHITA, KS	LINE SEGMENT: 7400	
SHEET NO. 05	SCALE AS NOTED	APP'D.	
DESIGNED: EKO	DETAILED: DJL	QUANTITIES: DJL	TRACED: DJL
DESIGN GR.: DMH	DETAIL GR.: JWH	QUANTITIES: DMH	TRACED GR.: DMH

CITY OF WICHITA				
WICHITA CENTRAL CORRIDOR				
1ST STREET				
ABUTMENT NO. 1 ELEVATION & DETAILS				
NO.	DATE	REVISIONS	BY	APP'D.
3				
2				
1				