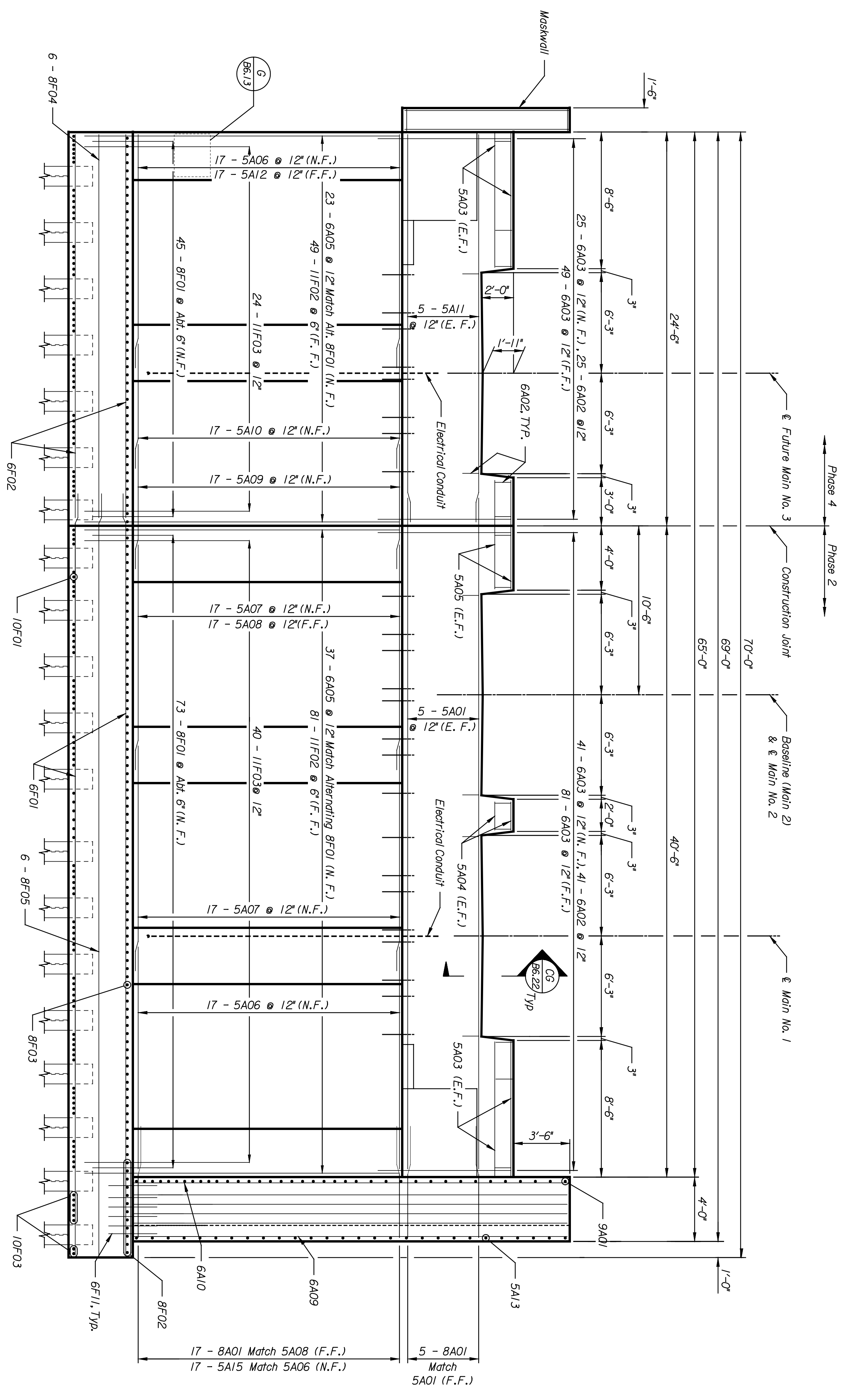


|    |      |
|----|------|
| BY | DATE |
|    |      |
|    |      |

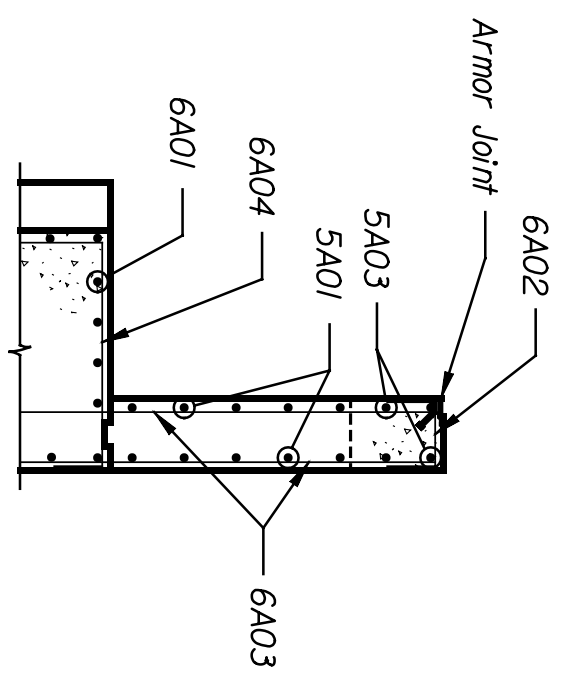
Plotted on: 04-JAN-2005 13:26 \*time\$  
 djamison Plot Queue: #queue\$  
 Plot Scale: #scale\$ Pen Table: #pentables\$  
 Design Filename: k:\b29049\BridgesDec2004\Base Bld\01s+5street\drawings\fl07a.dgn.

**PNTB**  
 ARCHITECTS ENGINEERS PLANNERS

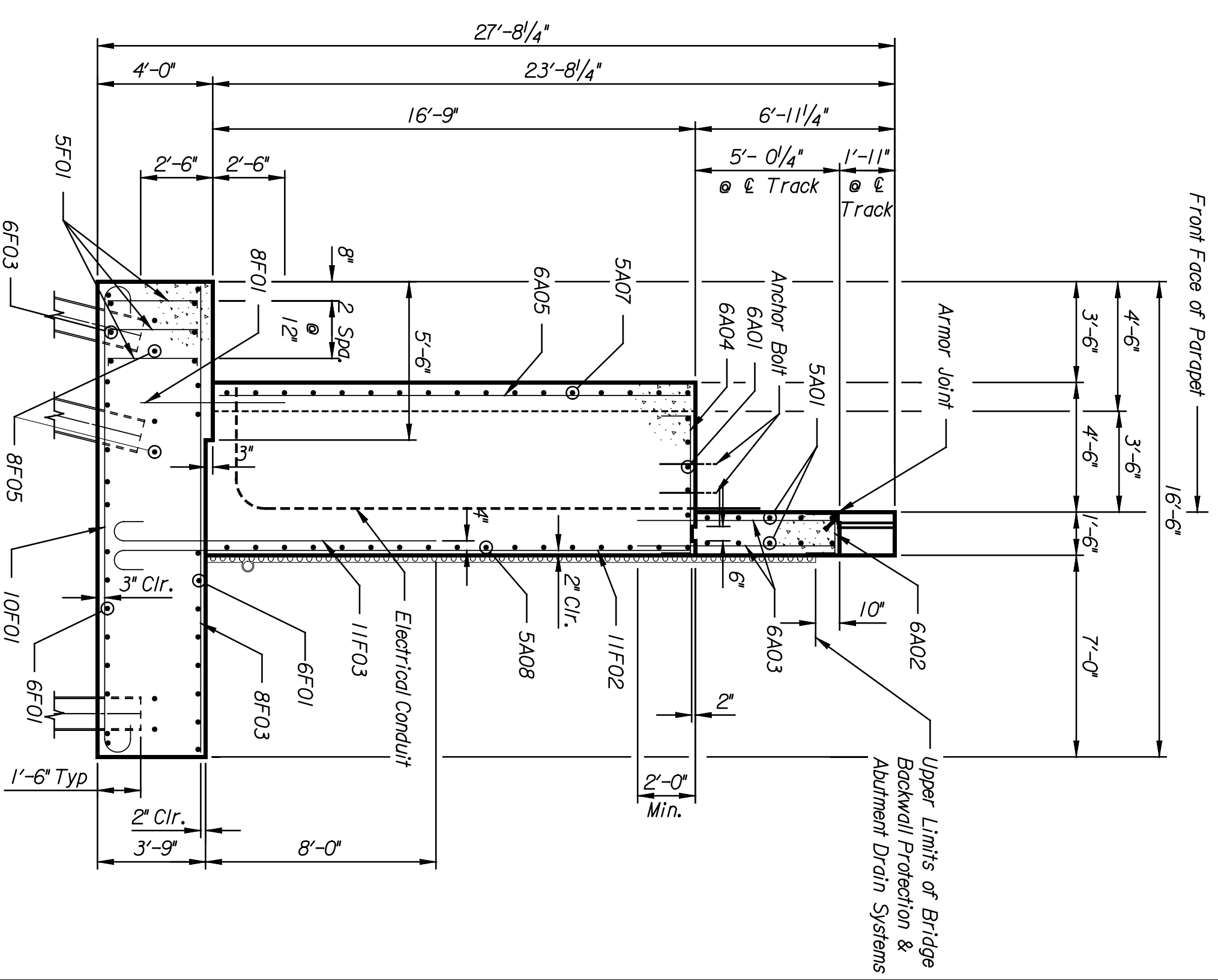
This sheet designed by:



**ELEVATION**  
 Scale: 1/4" = 1'-0"



**SECTION K**  
 Scale: 1/4" = 1'-0" B6.9



**SECTION J**  
 Scale: 1/4" = 1'-0" B6.9

**NOTES:**  
 Collision Beam pedestal reinforcing not shown for clarity.  
 Refer to Abutment No. 1 for Abutment Notes.

**REFERENCES:**  
 Collision Beam Pedestal, Refer to B6.13.  
 Collision Beam Details, Refer to B6.25.

|        |             |      |           |              |
|--------|-------------|------|-----------|--------------|
| STATE  | PROJECT NO. | YEAR | SHEET NO. | TOTAL SHEETS |
| KANSAS | 472-84071   | 2005 | B6.10     |              |

|                         |                 |                     |                |
|-------------------------|-----------------|---------------------|----------------|
| LOCATION: RWSF BR. 20.2 | WICHITA, KS     | LINE SEGMENT 7400   |                |
| SHEET NO. 05            | SCALE AS NOTED  | APPD.               |                |
| DESIGNED: EKO           | DETAILED: DJL   | QUANTITIES: DJL     | TRACED: DJL    |
| DESIGN GR.: DMH         | DETAIL GR.: JWH | QUANTITIES GR.: DMH | TRACE GR.: DMH |

|                                    |      |           |    |       |
|------------------------------------|------|-----------|----|-------|
| CITY OF WICHITA                    |      |           |    |       |
| 1ST STREET                         |      |           |    |       |
| ABUTMENT NO. 2 ELEVATION & DETAILS |      |           |    |       |
| NO.                                | DATE | REVISIONS | BY | APPD. |
| 3                                  |      |           |    |       |
| 2                                  |      |           |    |       |
| 1                                  |      |           |    |       |