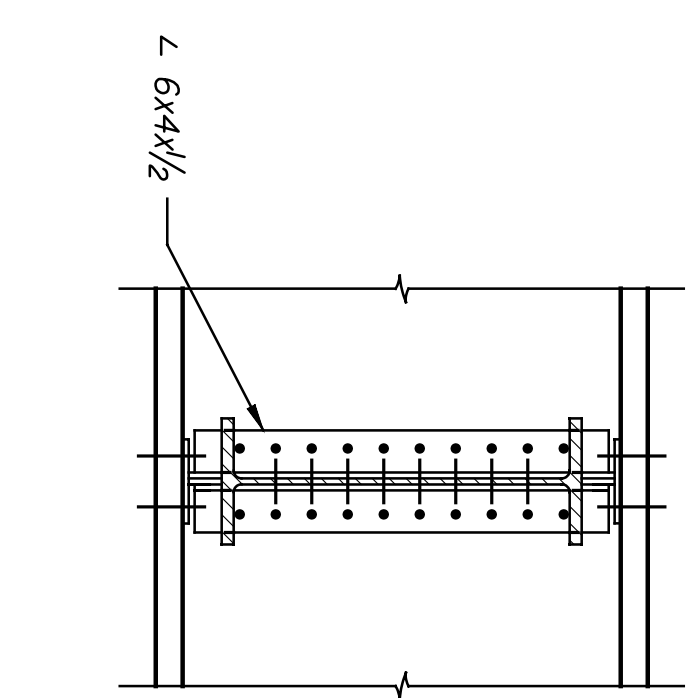
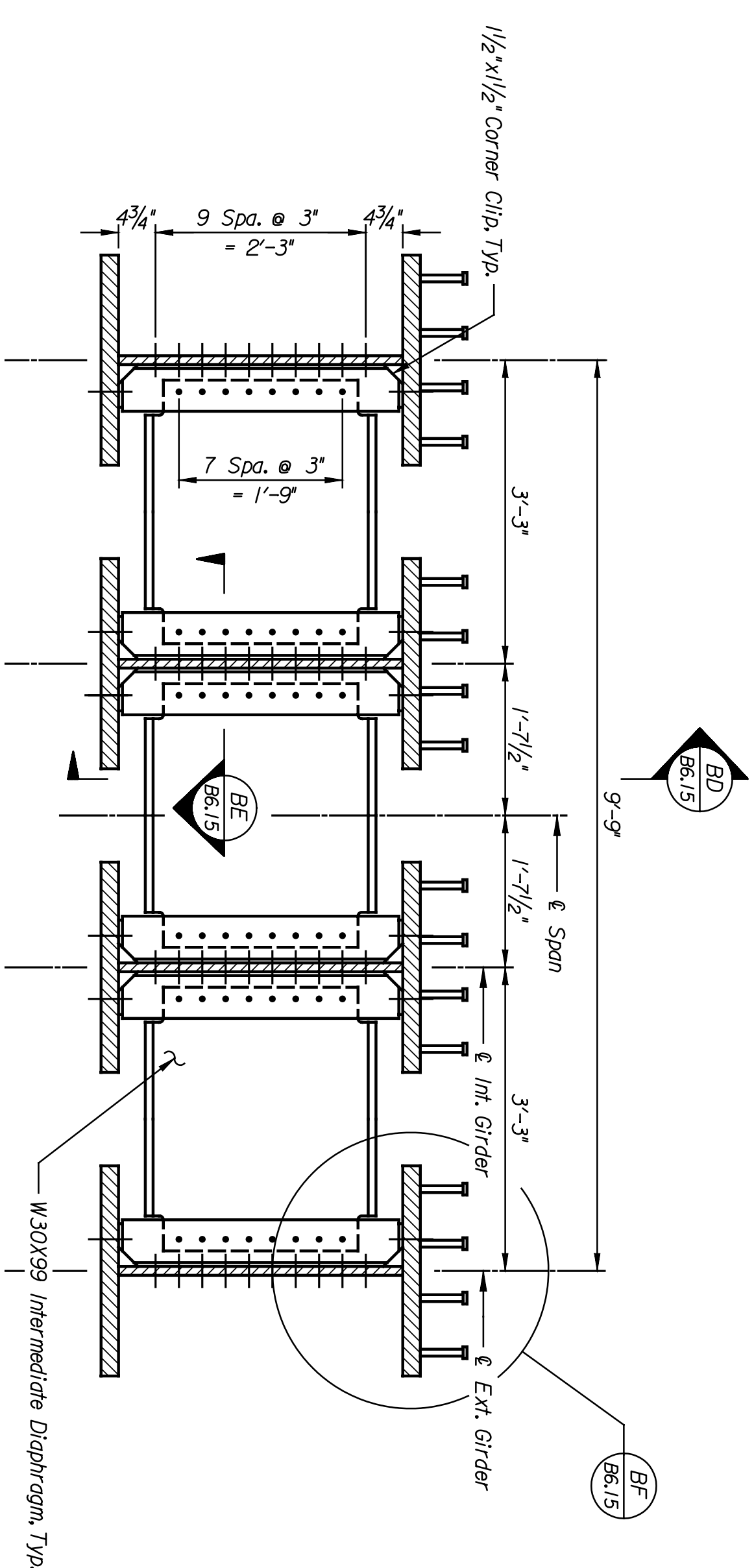


BY	DATE

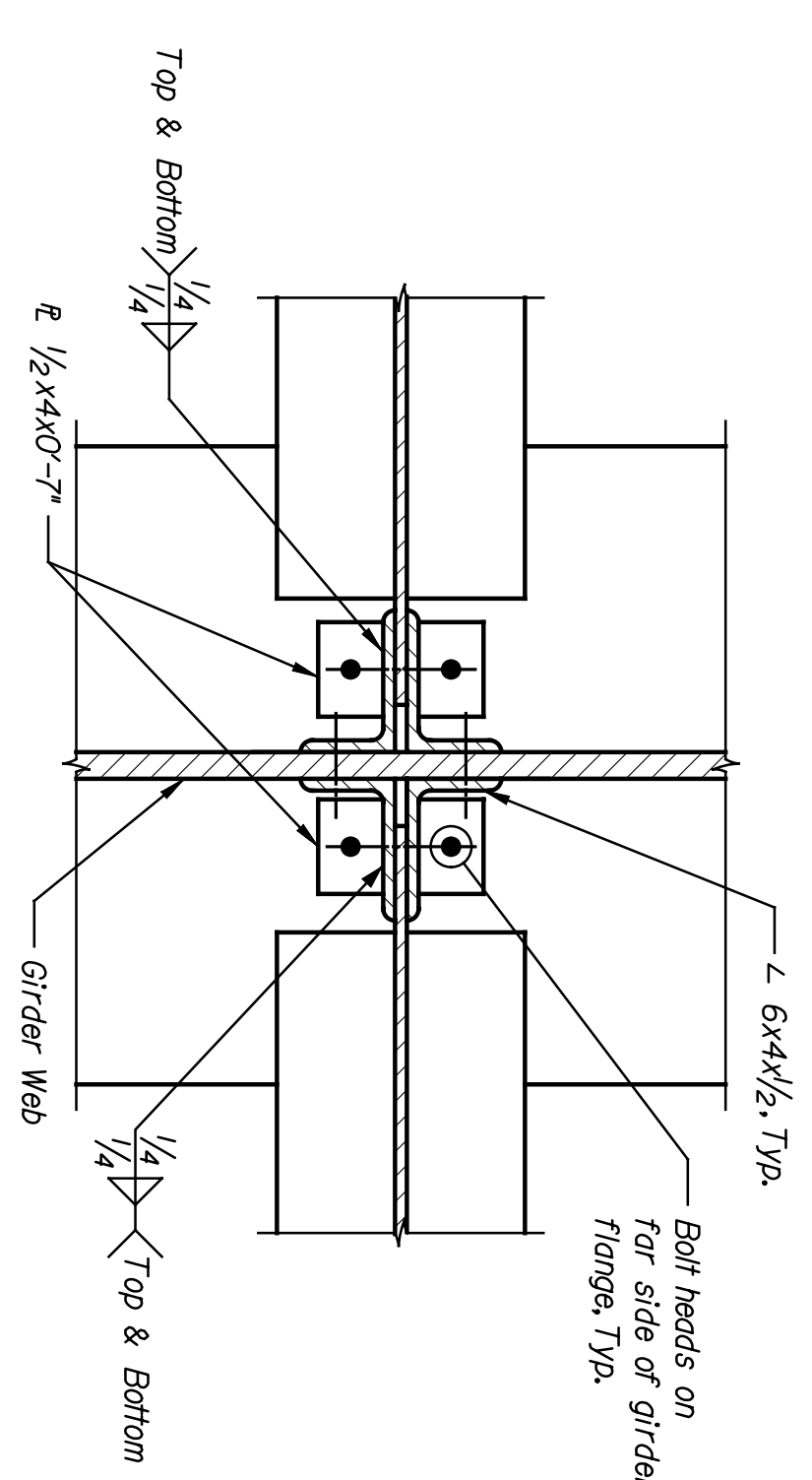
Plotted on: 04-JAN-2005 13:27 \*time\*  
 djmlison Plot Queue: #queue\*  
 Plot Scale: #scale\* Pen Table: #pentable\*  
 Design Filename: k:\b29049\BridgesDec2004\Bases Bld\01stStreet\drawings\fl4.dgn.



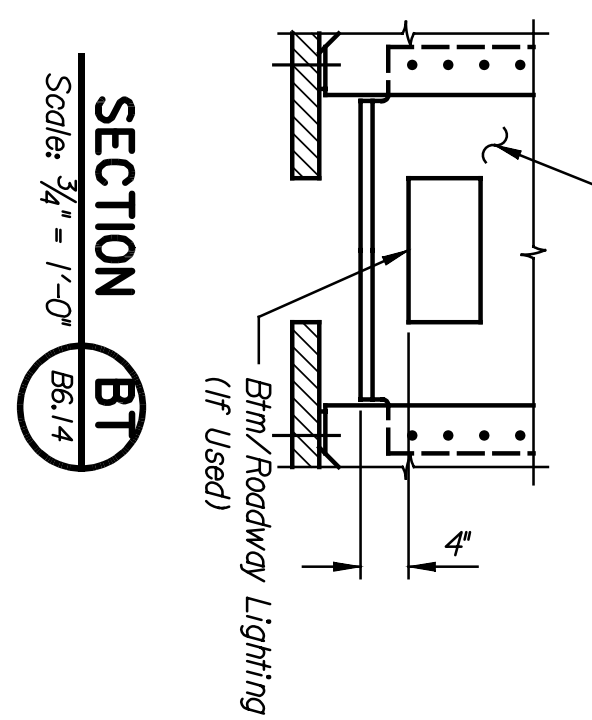
**SECTION BD**  
 Scale: 3/4" = 1'-0"  
 B6.15



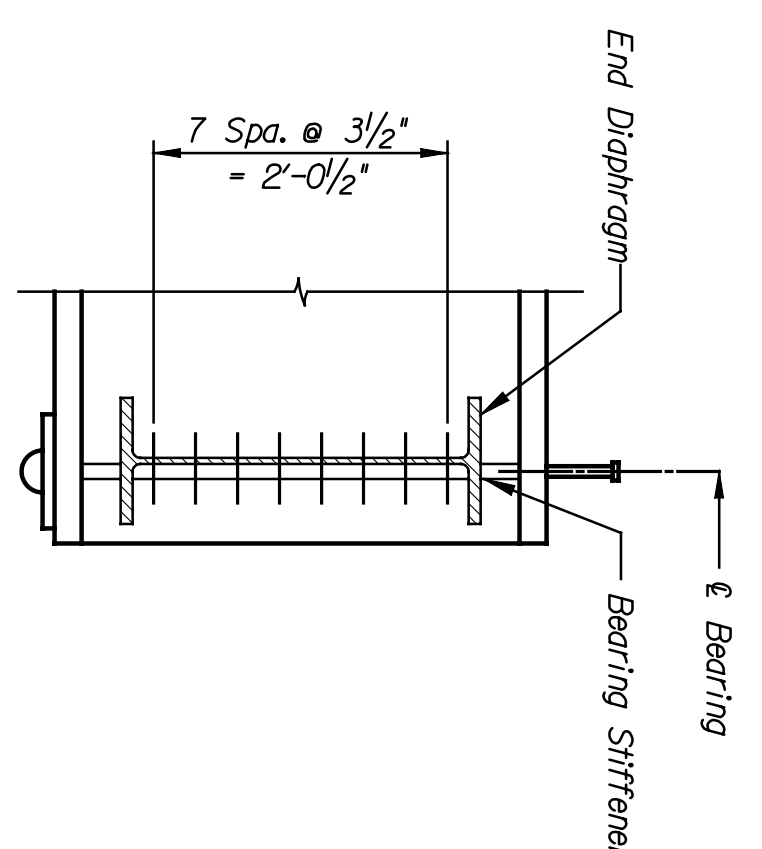
**SECTION BA**  
 Scale: 3/4" = 1'-0"  
 B6.14



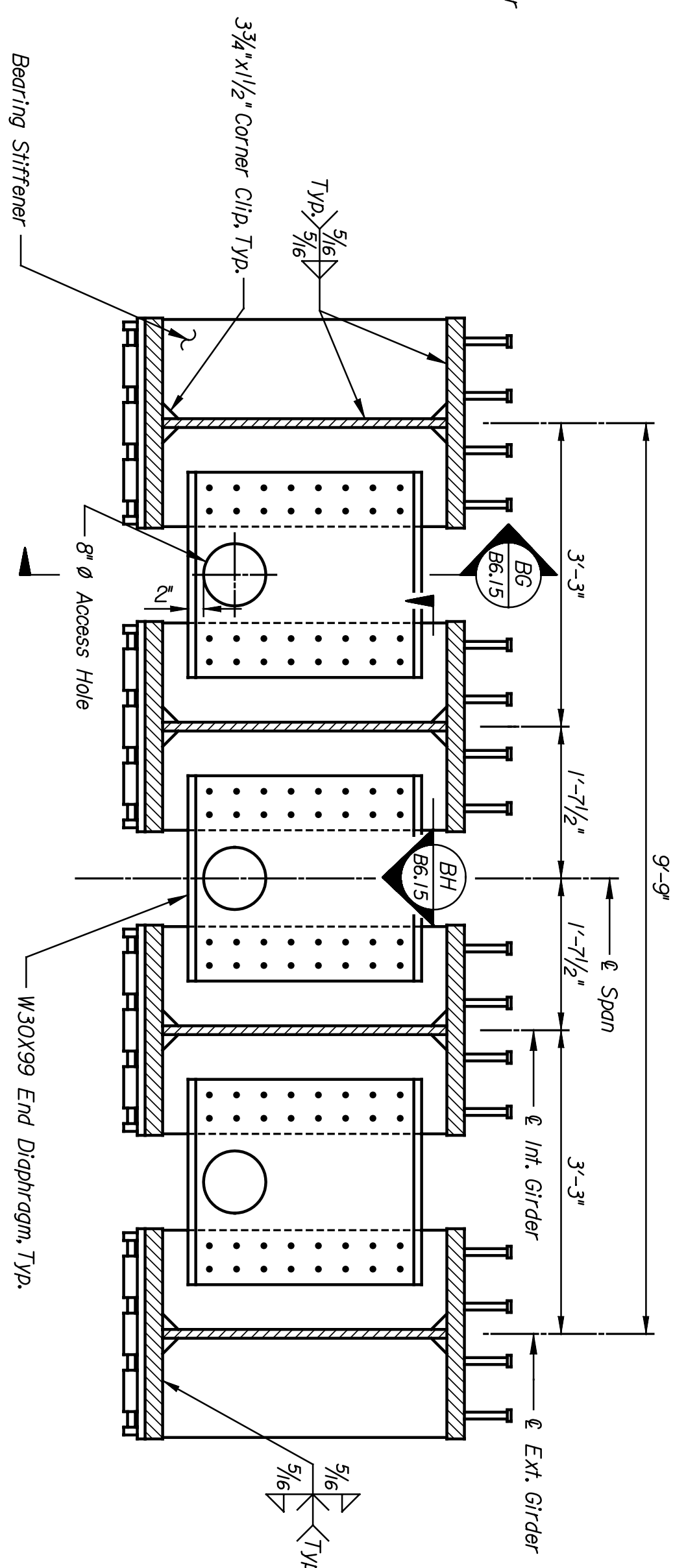
**SECTION BF**  
 Scale: 1/2" = 1'-0"  
 B6.15



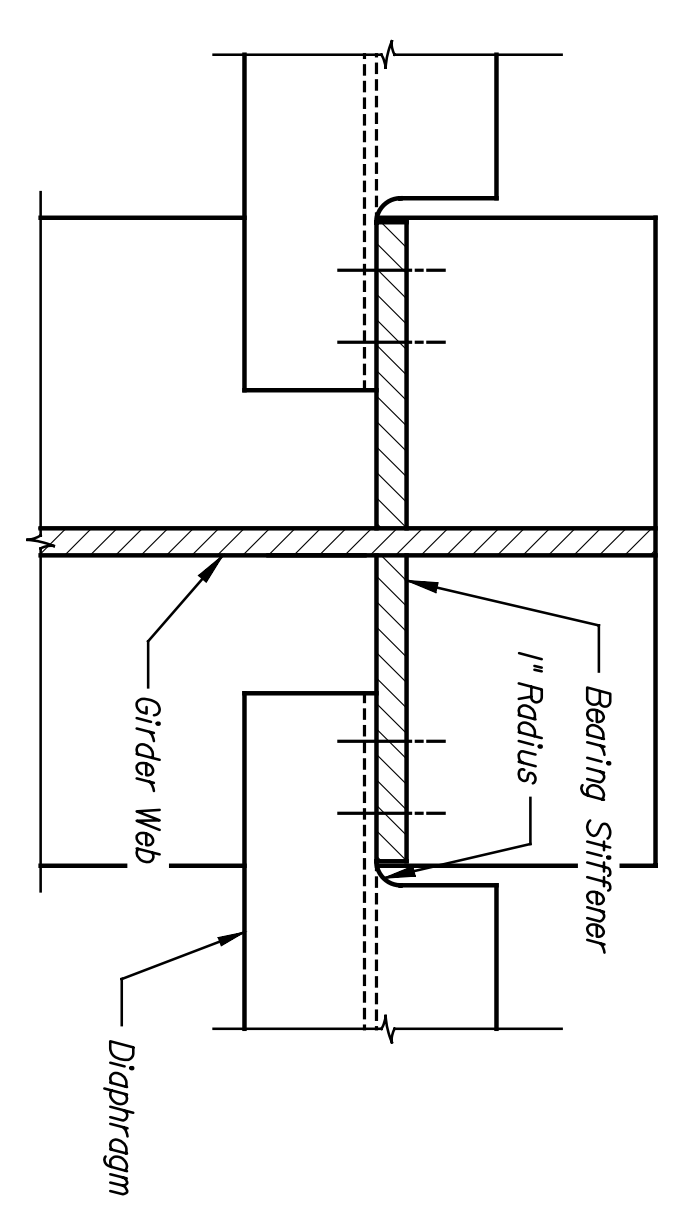
**SECTION BT**  
 Scale: 3/4" = 1'-0"  
 B6.14



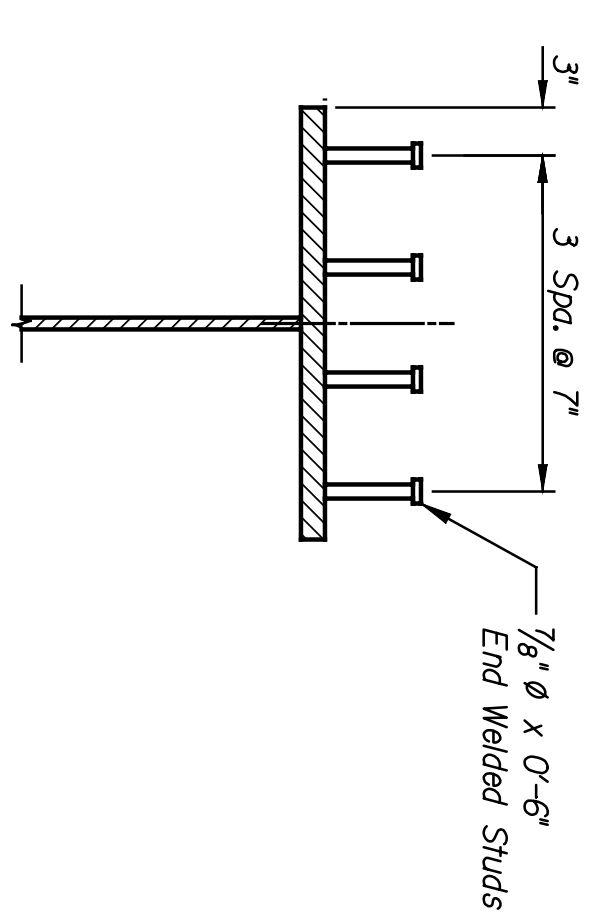
**SECTION BG**  
 Scale: 3/4" = 1'-0"  
 B6.15



**SECTION BB**  
 Scale: 3/4" = 1'-0"  
 B6.14



**SECTION BH**  
 Scale: 1/2" = 1'-0"  
 B6.15



**DETAIL BF**  
 Scale: 1" = 1'-0"  
 B6.15

This sheet designed by:



ARCHITECTS ENGINEERS PLANNERS

STATE	PROJECT NO.	YEAR	SHEET NO.	TOTAL SHEETS
KANSAS	472-84071	2005	B6.15	

LOCATION: RNF BR 202 WICHITA, KS		LINE SEGMENT 7400	
SHEET NO.	OF	SCALE: AS NOTED	APPD.
DESIGNED	END	DETAILED	QUANTITIES
DESIGN CK.	DWH	DETAIL CK.	DMH
DATE		REVISIONS	
		BY	APPD.
<b>CITY OF WICHITA</b>			
<b>1ST STREET</b>			
<b>TYPICAL SUPERSTRUCTURE DETAILS</b>			