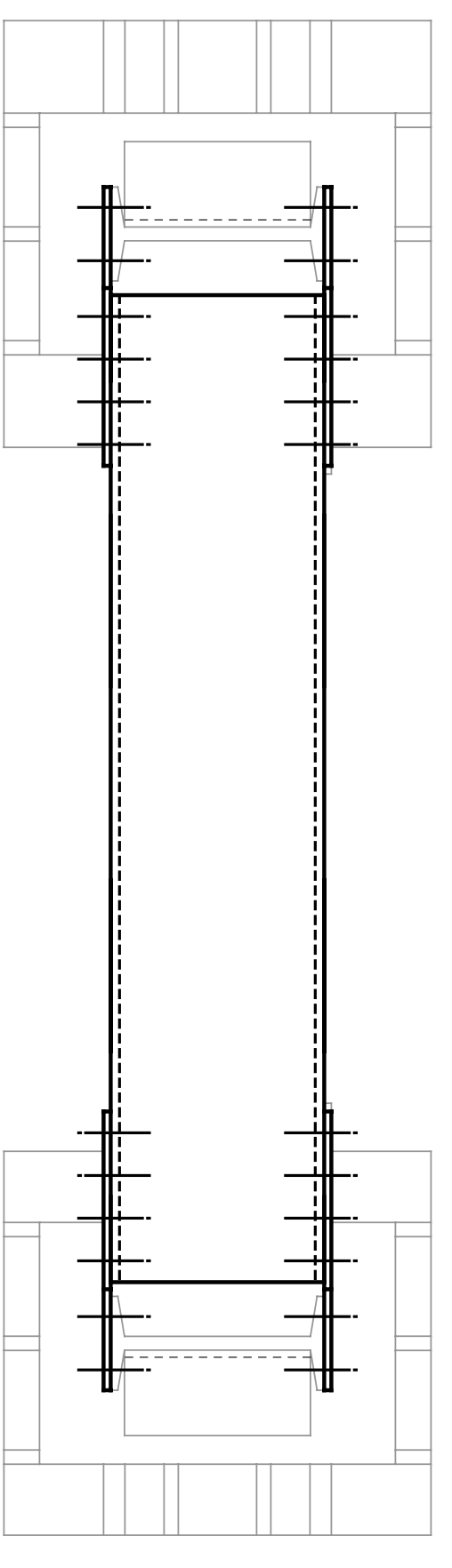
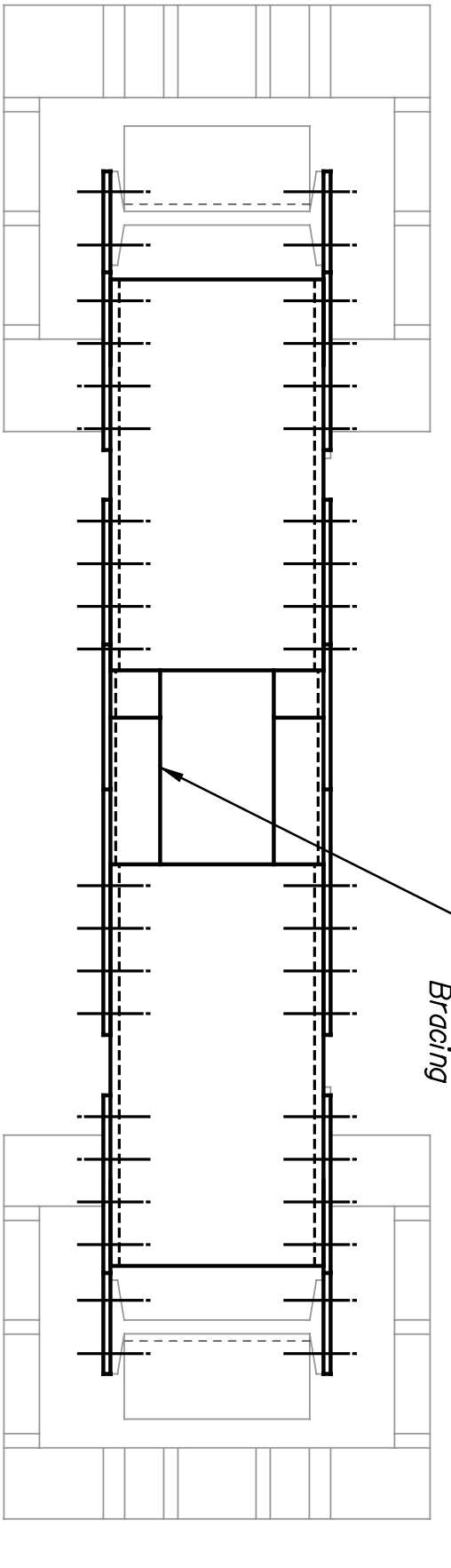


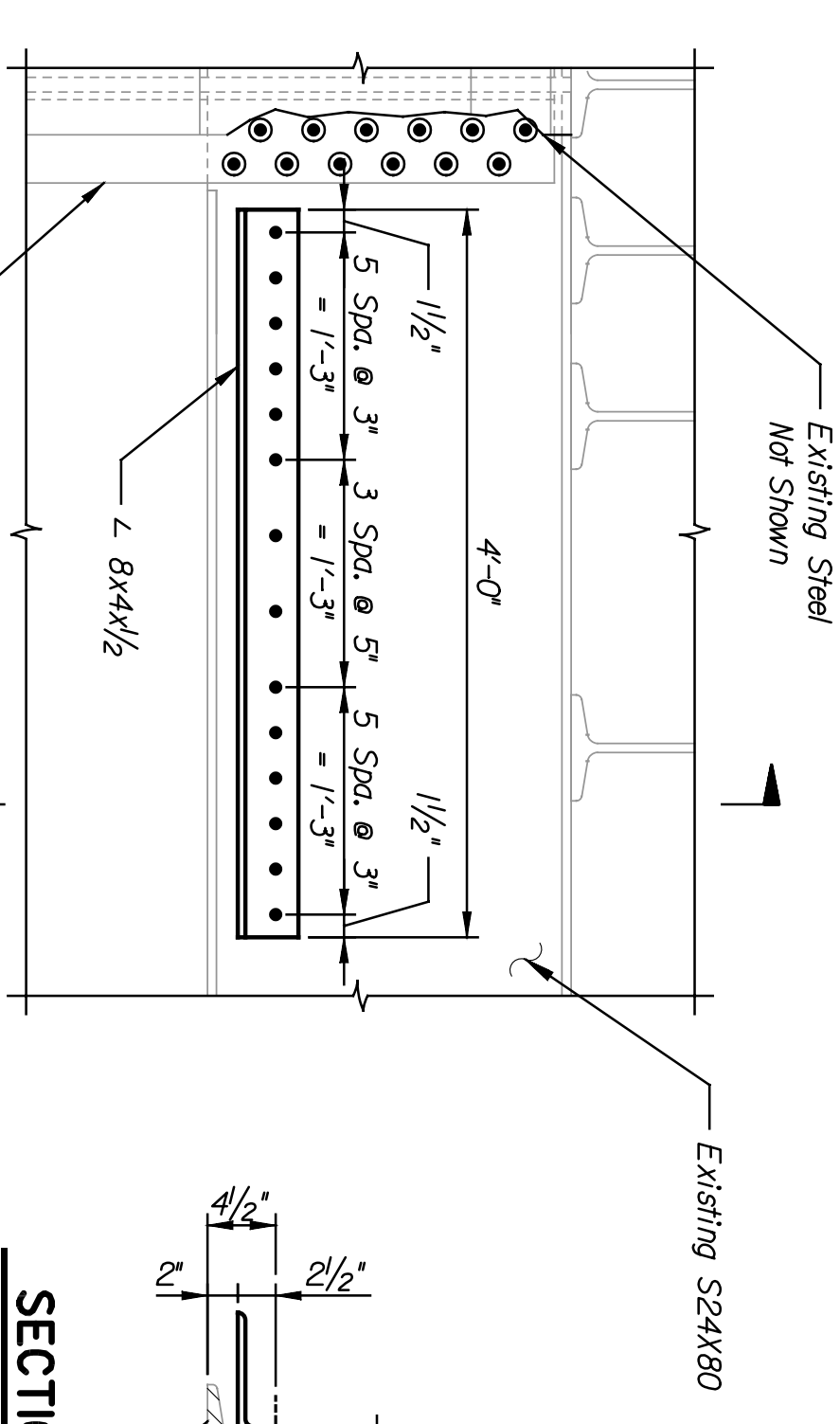
BY	DATE



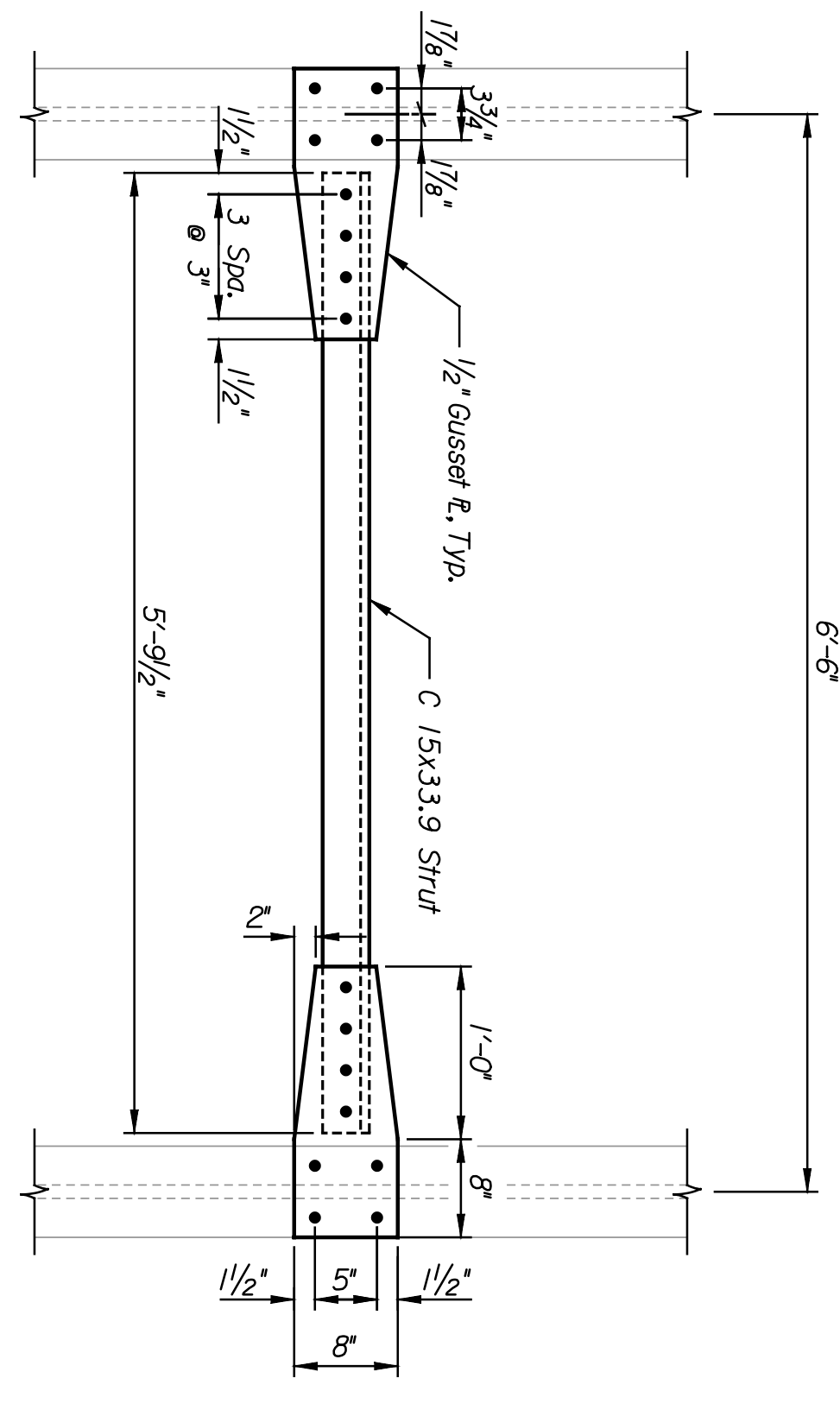
**PLAN**  
Scale: 1" = 1'-0"



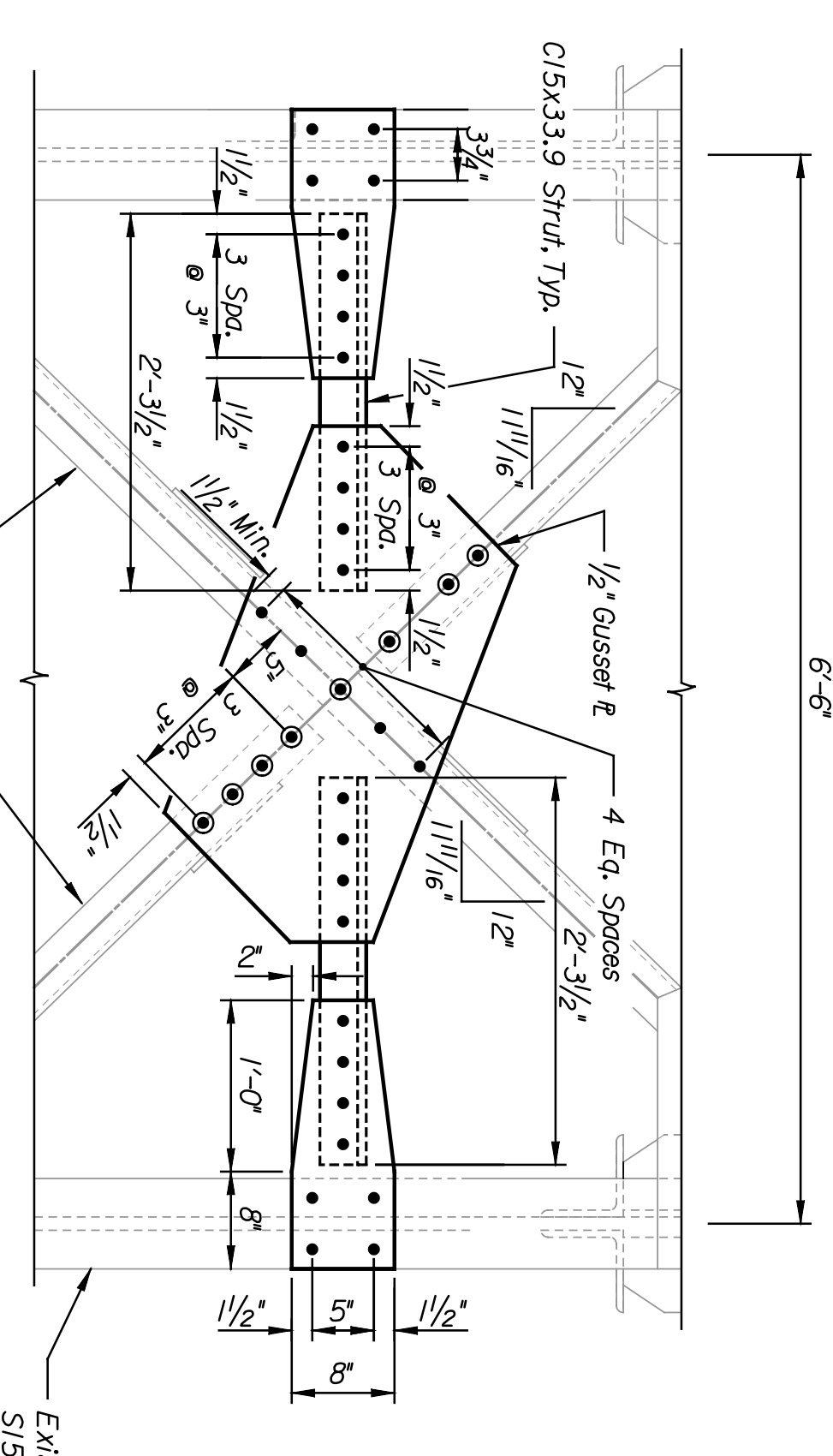
**PLAN**  
Scale: 1" = 1'-0"



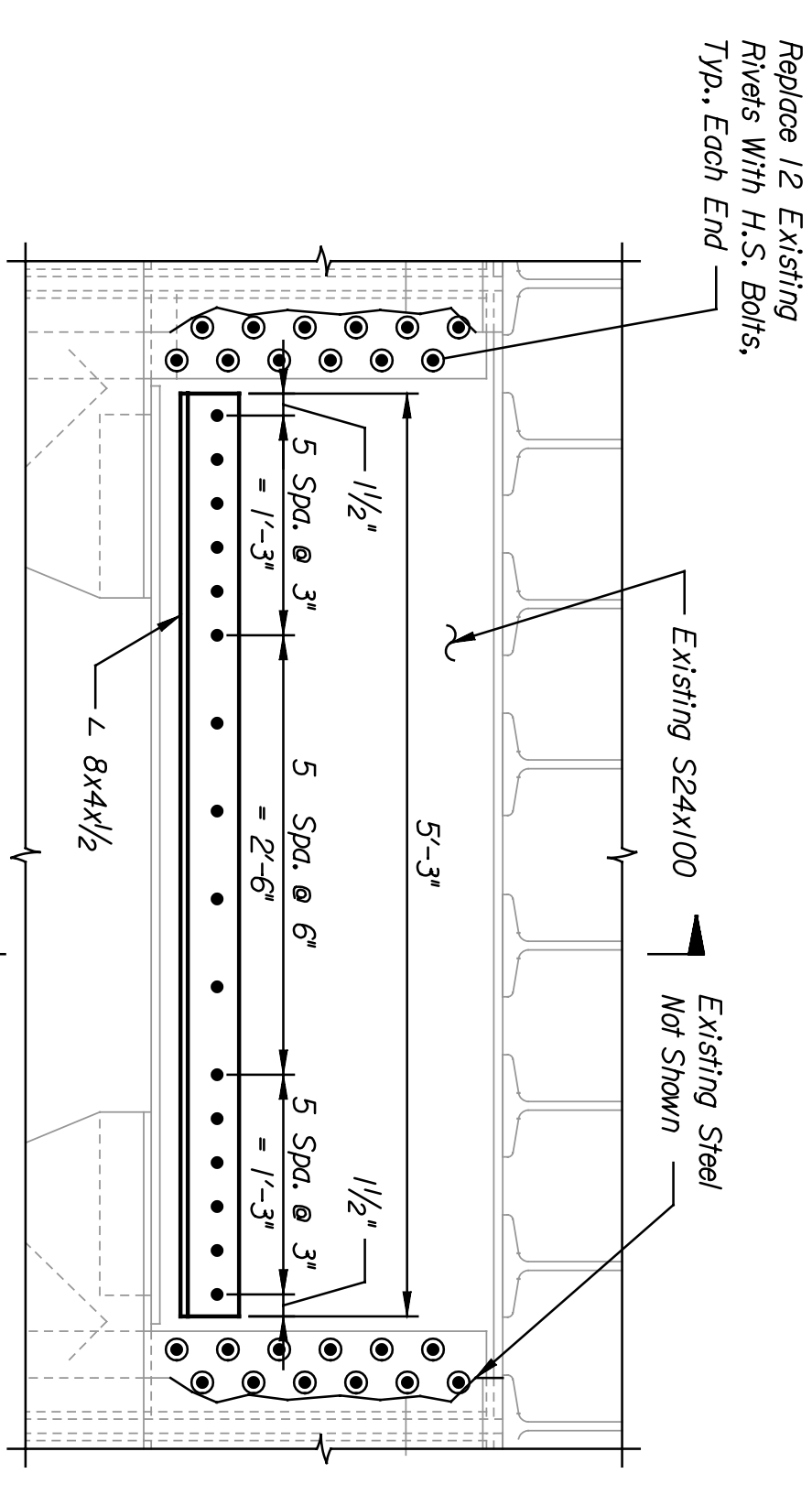
**SECTION R**  
Scale: 1" = 1'-0"



**DETAIL K**  
Scale: 1" = 1'-0"



**DETAIL L**  
Scale: 1" = 1'-0"



**DETAIL M**  
Scale: 1" = 1'-0"

Existing Column  
 Pier 2 & 5  
 S15x75  
 Pier 3 & 4  
 S15x90

**LEGEND**

- Replace existing river with 7/8"  $\phi$  H.S. Bolt
- Field Drill 1/16"  $\phi$  Holes & Provide 7/8"  $\phi$  H.S. Bolts.
- H.S. Bolts connecting members with sloping faces shall have a hardened bevel washer on the sloped surface under the bolt head.

WICHTLA, KS  
 LINE SEGMENT 7400  
 PMSF BR.20A

SHEET NO.		OF	SCALE AS NOTED	APP'D.	DESIGNED	ENR	SCALE	AS NOTED	APP'D.	TRADED	DLL
DESIGN		CR.	CM	CM	CM	CM	CM	CM	CM	CM	CM
NO.		DATE	REVISIONS	BY	APP'D.						
3											
2											
1											

**CITY OF WICHITA**  
**WICHITA CENTRAL CORRIDOR**

DOUGLAS AVENUE  
 PIER DETAILS

This sheet designed by:



ARCHITECTS ENGINEERS PLANNERS