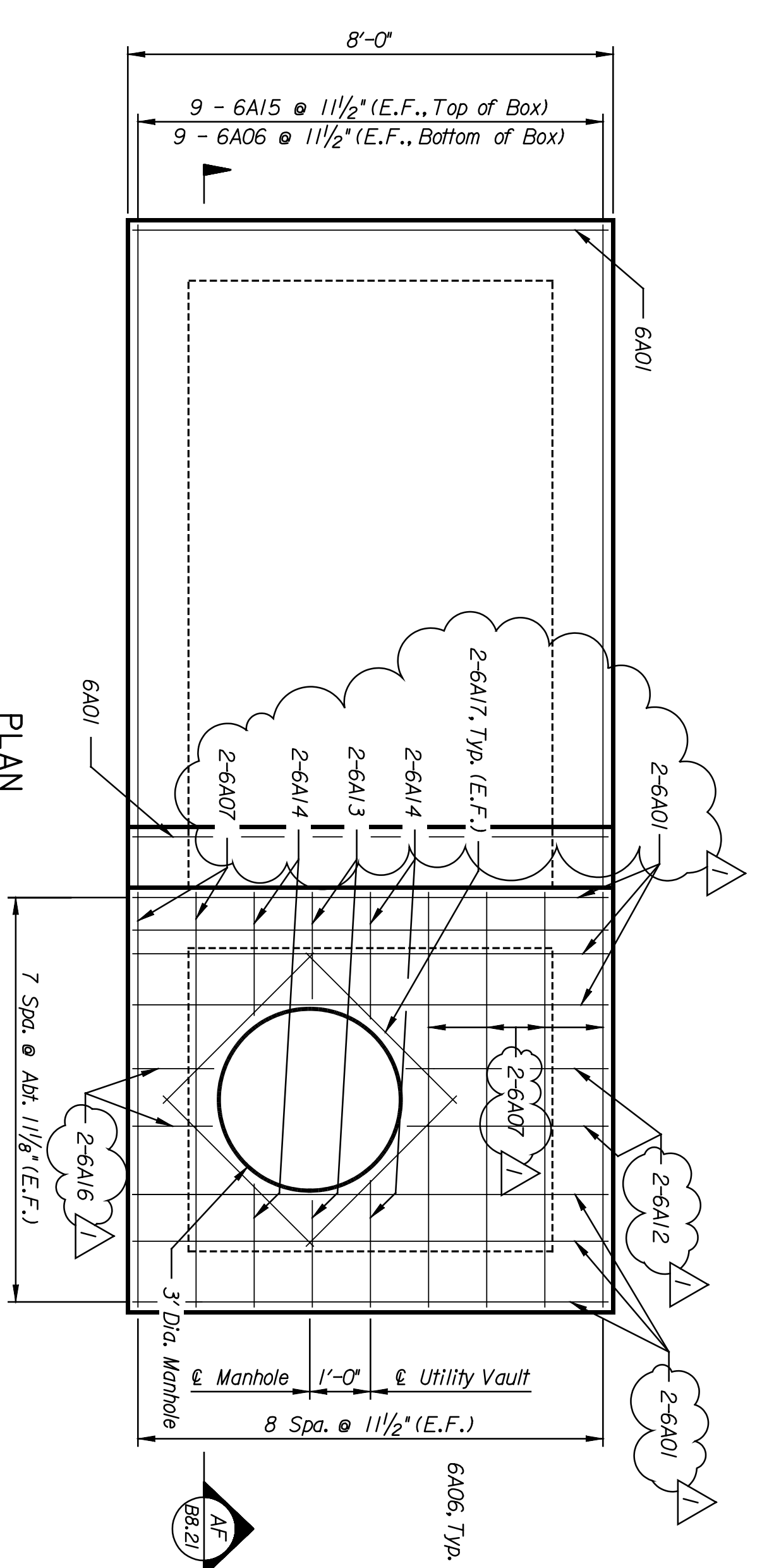
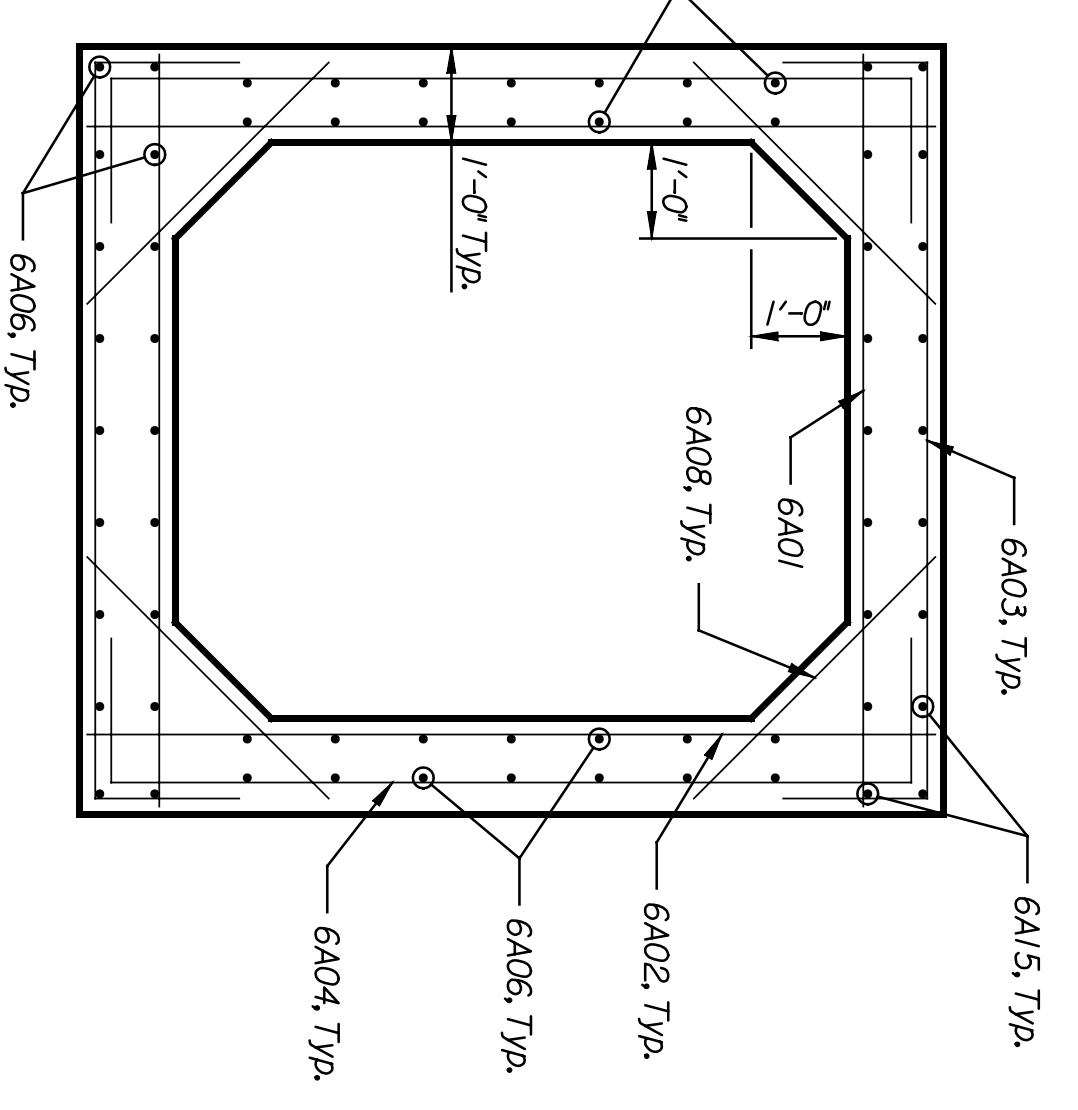


BY	DATE

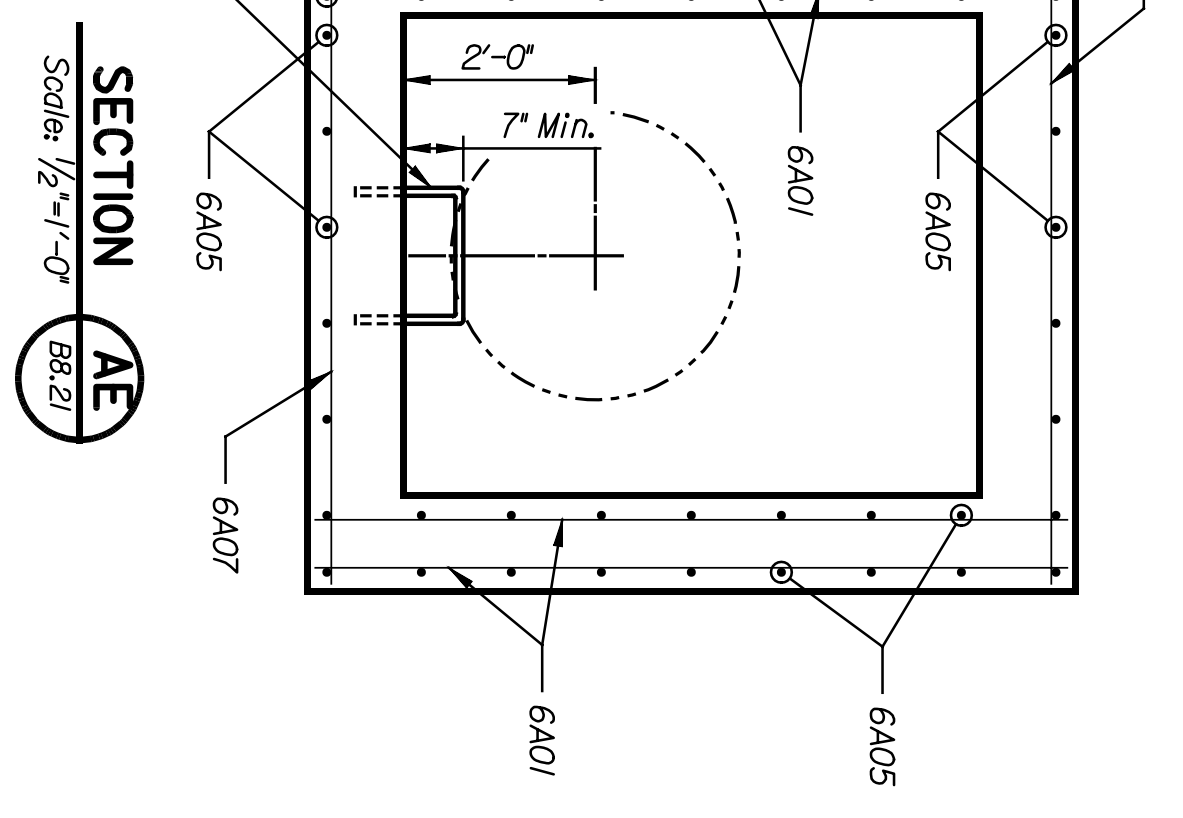


PLAN
 Scale: 1/2"=1'-0"

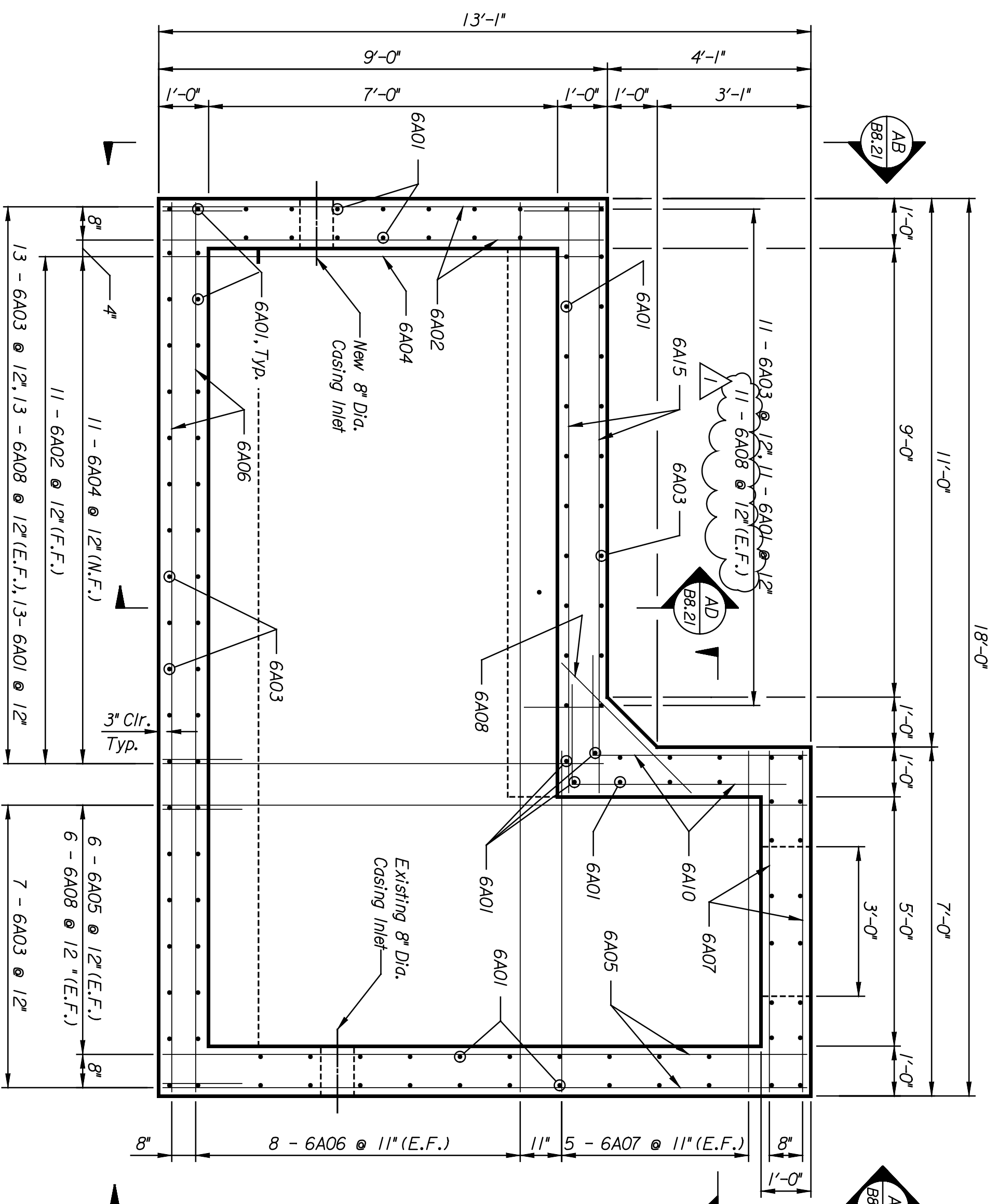


SECTION AD
 Scale: 1/2"=1'-0"

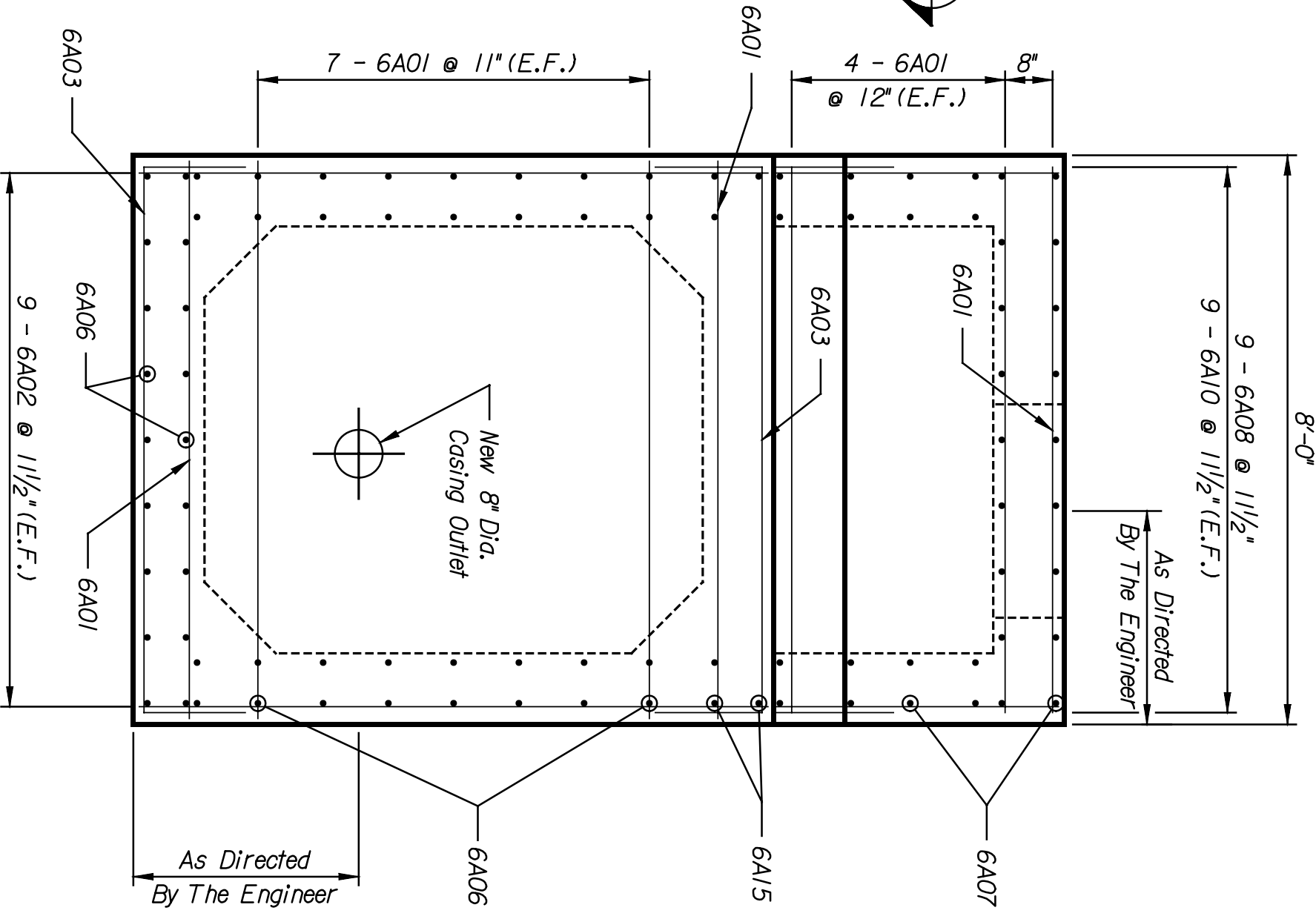
Prefabricated Manhole Ladder
 Rungs @ 12" Max. Spacing



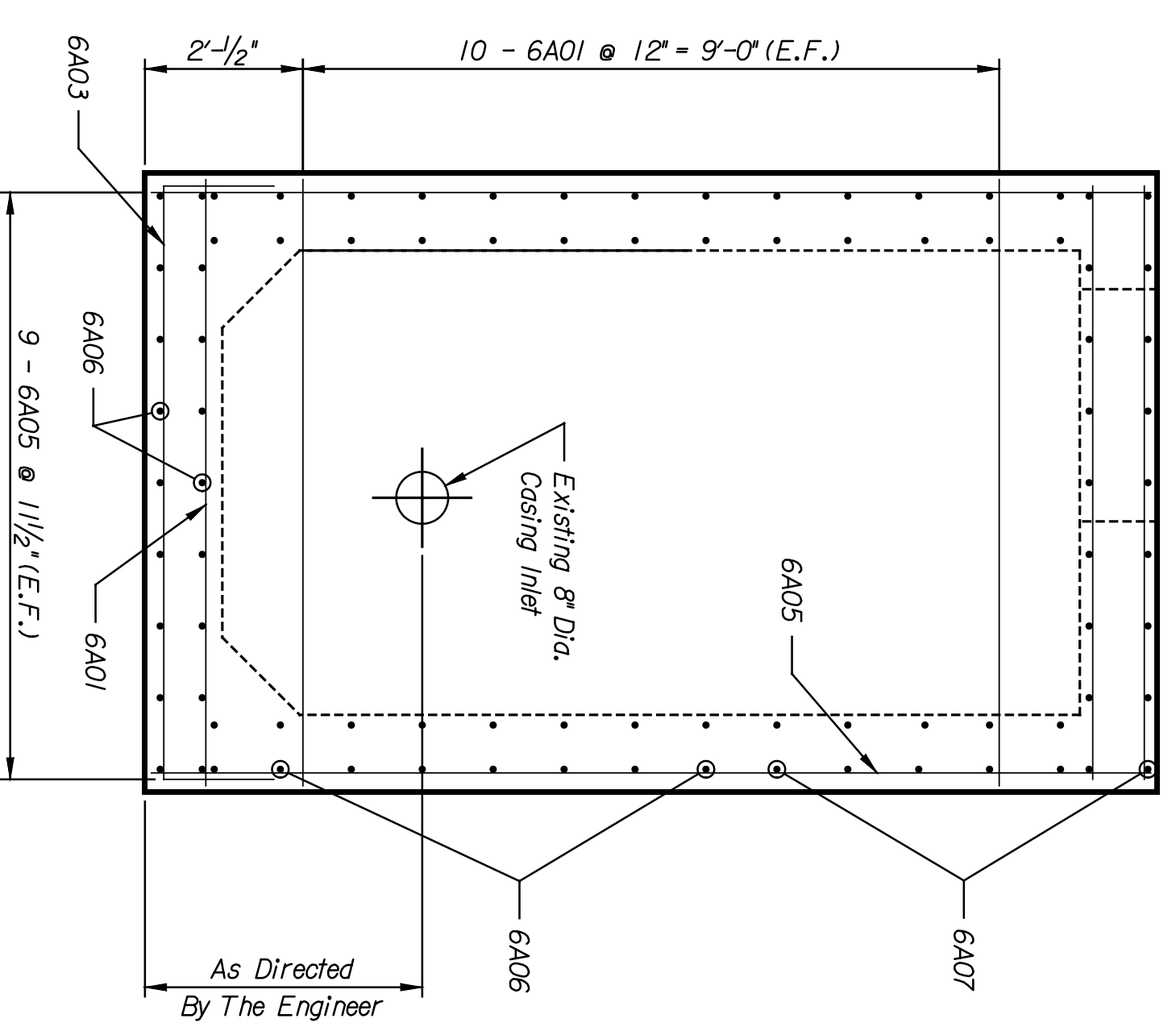
SECTION AE
 Scale: 1/2"=1'-0"



SECTION AF
 Scale: 1/2"=1'-0"



VIEW AB
 Scale: 1/2"=1'-0"



VIEW AC
 Scale: 1/2"=1'-0"

STATE	PROJECT NO.	YEAR	SHEET NO.	TOTAL SHEETS
KANSAS	472-84071	2005	B8.21	

NOTES:
 Field verify all dimensions, sizes and locations.
 Construct Utility Vault around existing fiber optic cable. Locate utility vault as directed by the Engineer. Locate casing inlet and outlet as directed by the Engineer.
 Seal casing inlet.
 Concrete shall be Grade 4.0, with an $f_c=4000$ psi and shall be provided in accordance with the specifications.
 All reinforcing steel shall conform to ASTM A615 or A706, Grade 60.
 Epoxy-coated reinforcing steel shall conform to ASTM 775.
 Exposed concrete edges shall be chamfered 3/4", unless noted otherwise.

ENTB
 ARCHITECTS ENGINEERS PLANNERS

This sheet designed by:

LOCATION:	PROJECT:	SCALE:	DATE:
RMSF BR. 201A	WICHITA, KS	AS NOTED	9/04
LINE SEGMENT 7400		REINFORCING CHANGE	
		DESIGNED BY: WTB	DATE: 9/04
		DRAWN BY: DMH	DATE: 9/04
		CHECKED BY: DMH	DATE: 9/04
		APPROVED BY: JWH	DATE: 9/04

CITY OF WICHITA
DOUGLAS AVENUE
UTILITY VAULT DETAILS