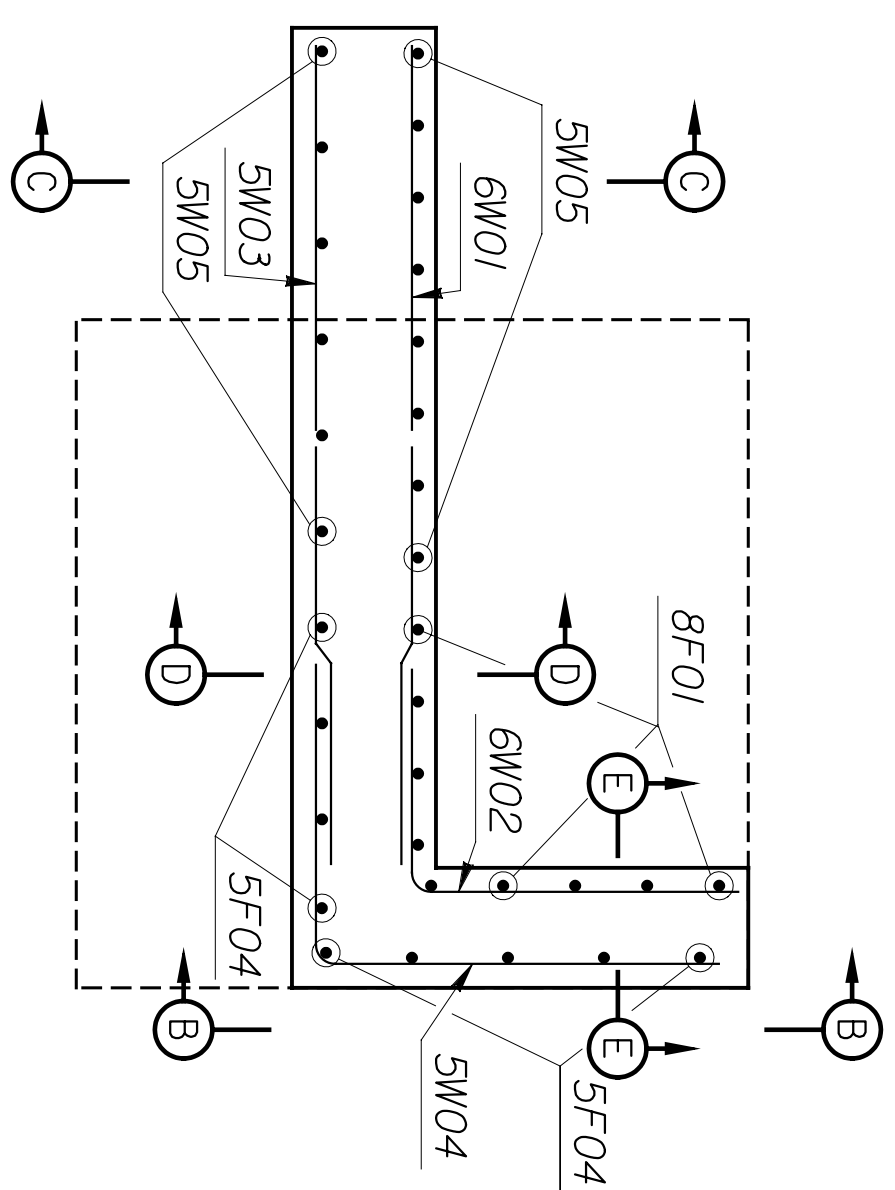
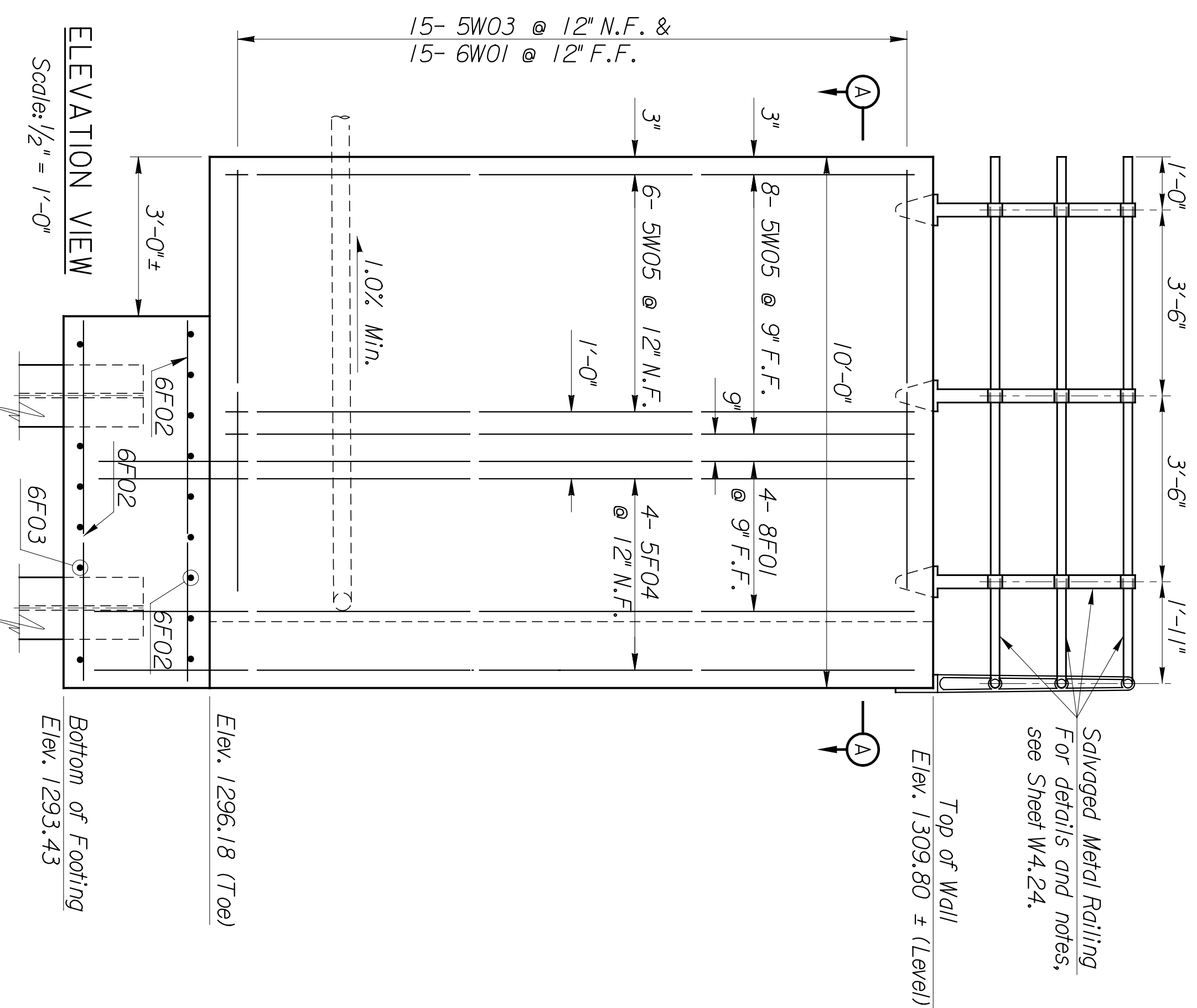


BY	DATE

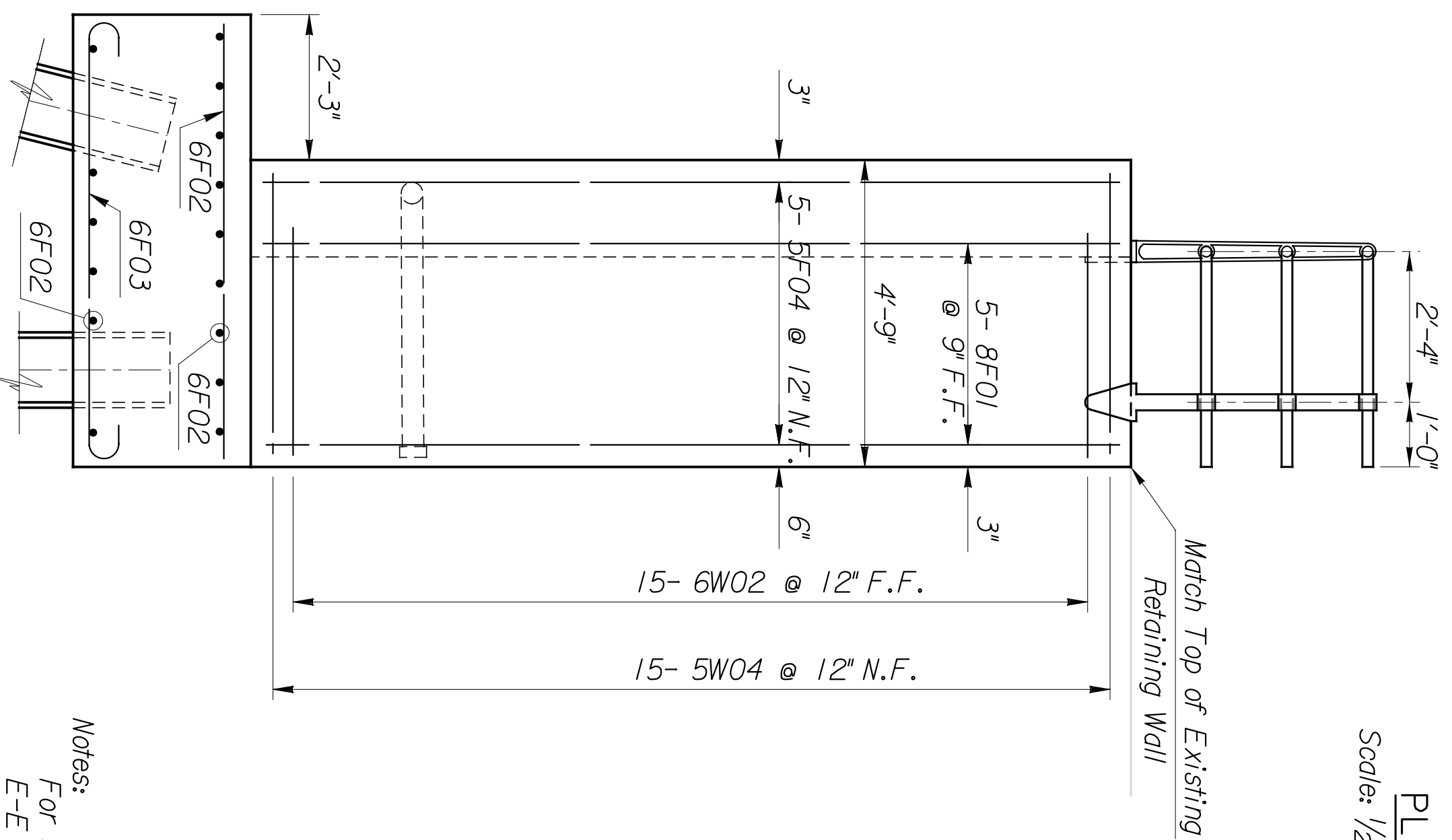


SECTION A-A
 Scale: 1/2" = 1'-0"

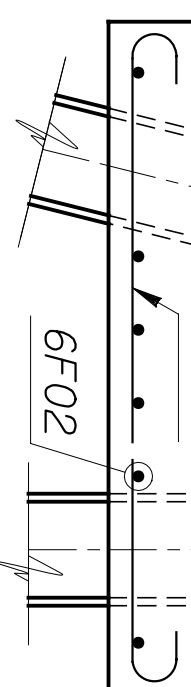
Sta. 11196+04.66 @ Track 2
 = Sta. 50+00.00 @ 2nd Street



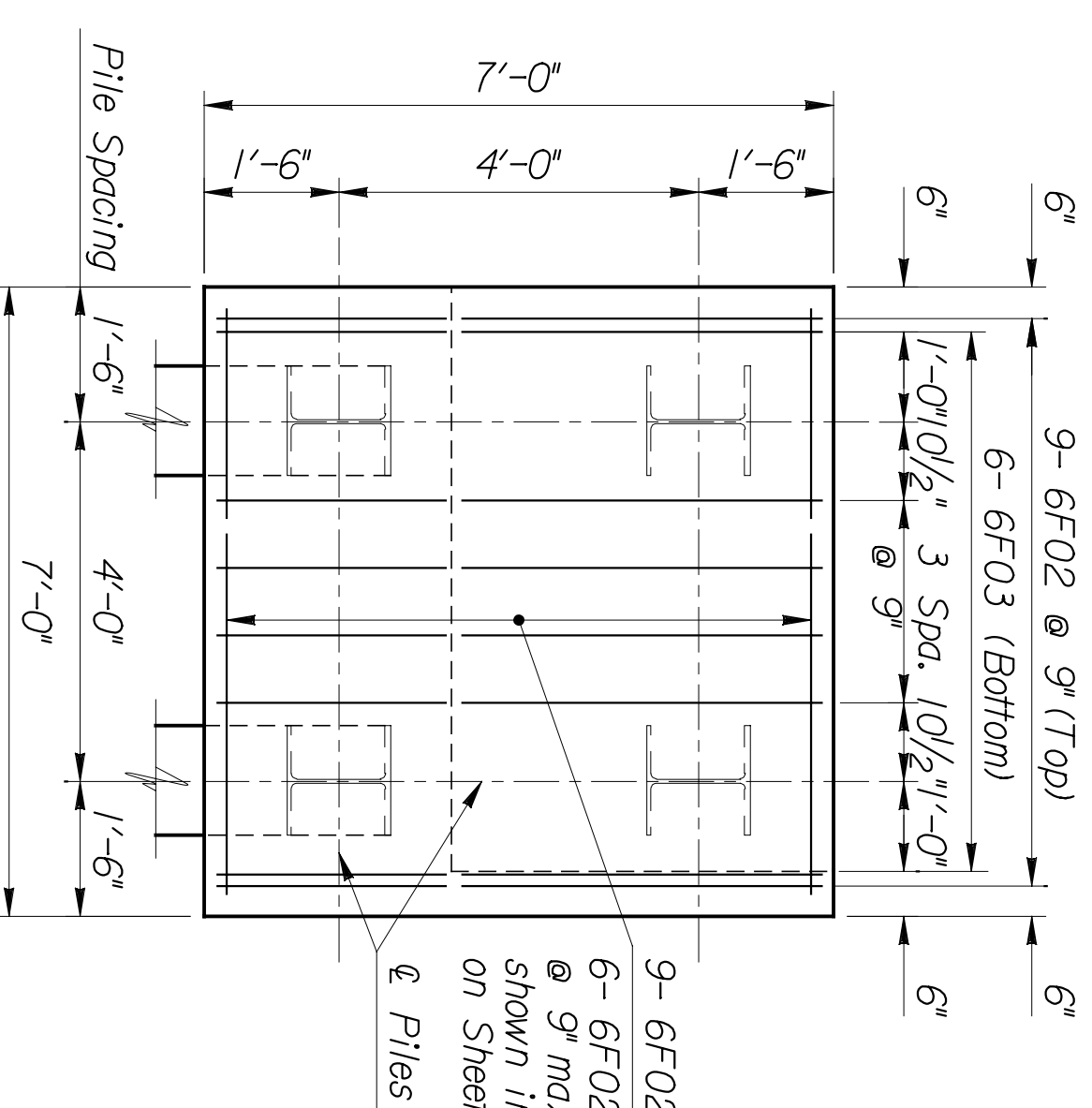
ELEVATION VIEW
 Scale: 1/2" = 1'-0"



PLAN
 Scale: 1/2" = 1'-0"

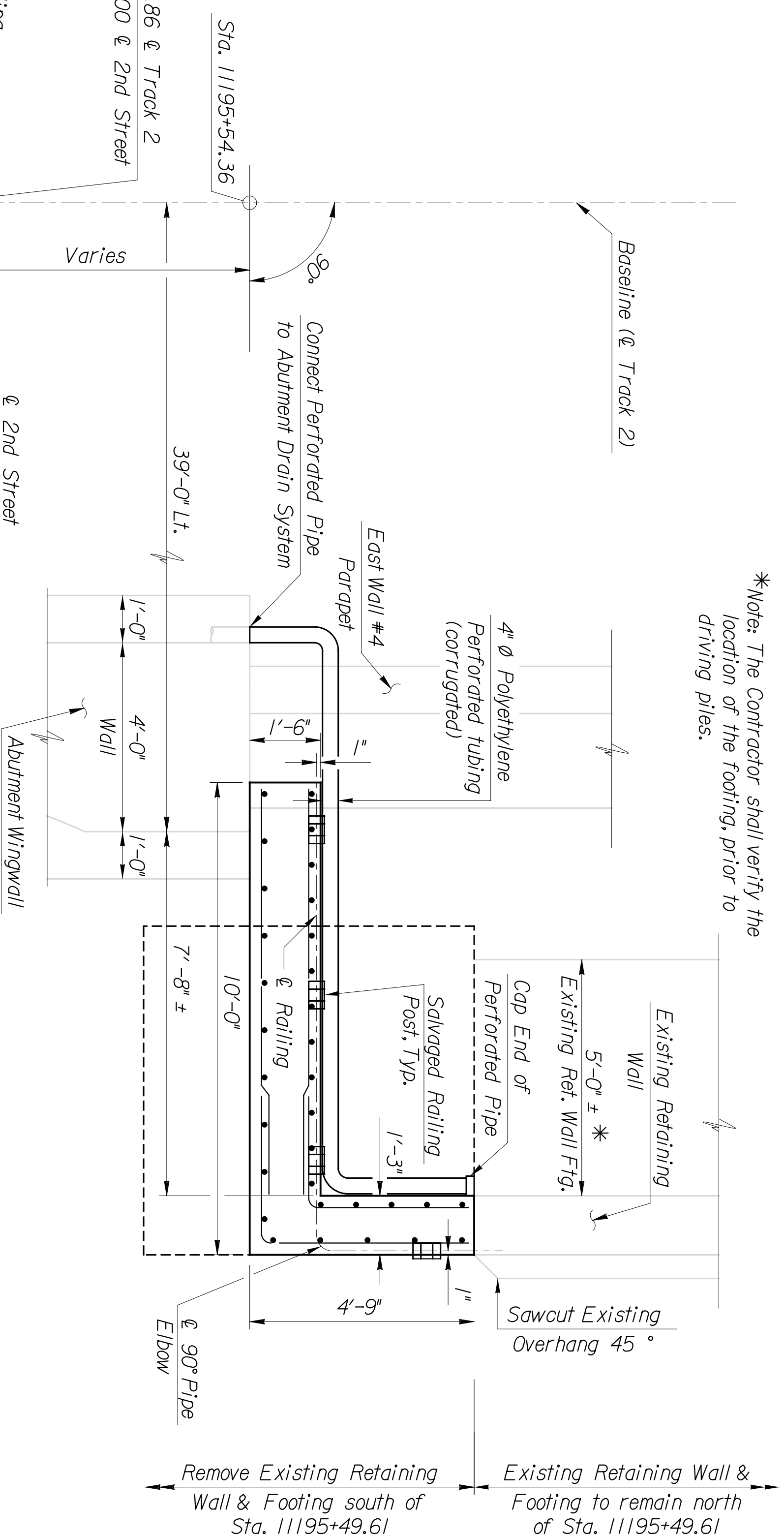


VIEW B-B
 Scale: 1/2" = 1'-0"



FOOTING PLAN
 Scale: 1/2" = 1'-0"

Notes:
 For Sections C-C, D-D, and E-E see Sheet W4.9.
 For Strip Drain and Perforated Pipe details see Sheet W4.9.



*Note: The Contractor shall verify the location of the footing, prior to driving piles.

HNTE
 ARCHITECTS ENGINEERS PLANNERS

This sheet designed by:

SHEET NO.		OF		SCALE		APPD.	
DESIGNED	CHKD	DATE	BY	DATE	BY	DATE	BY
DESIGN CR.	CHKD			DESIGN CR.	CHKD		
CITY OF WICHITA				2ND STREET WALL (NE)			
WICHITA CENTRAL CORRIDOR				PLAN, FOOTING PLAN, & ELEVATION VIEW			
STATE		PROJECT NO.		YEAR		SHEET NO.	
KANSAS		472-94071		2005		W4.8	
TOTAL SHEETS		TOTAL SHEETS		TOTAL SHEETS		TOTAL SHEETS	
1		1		1		1	