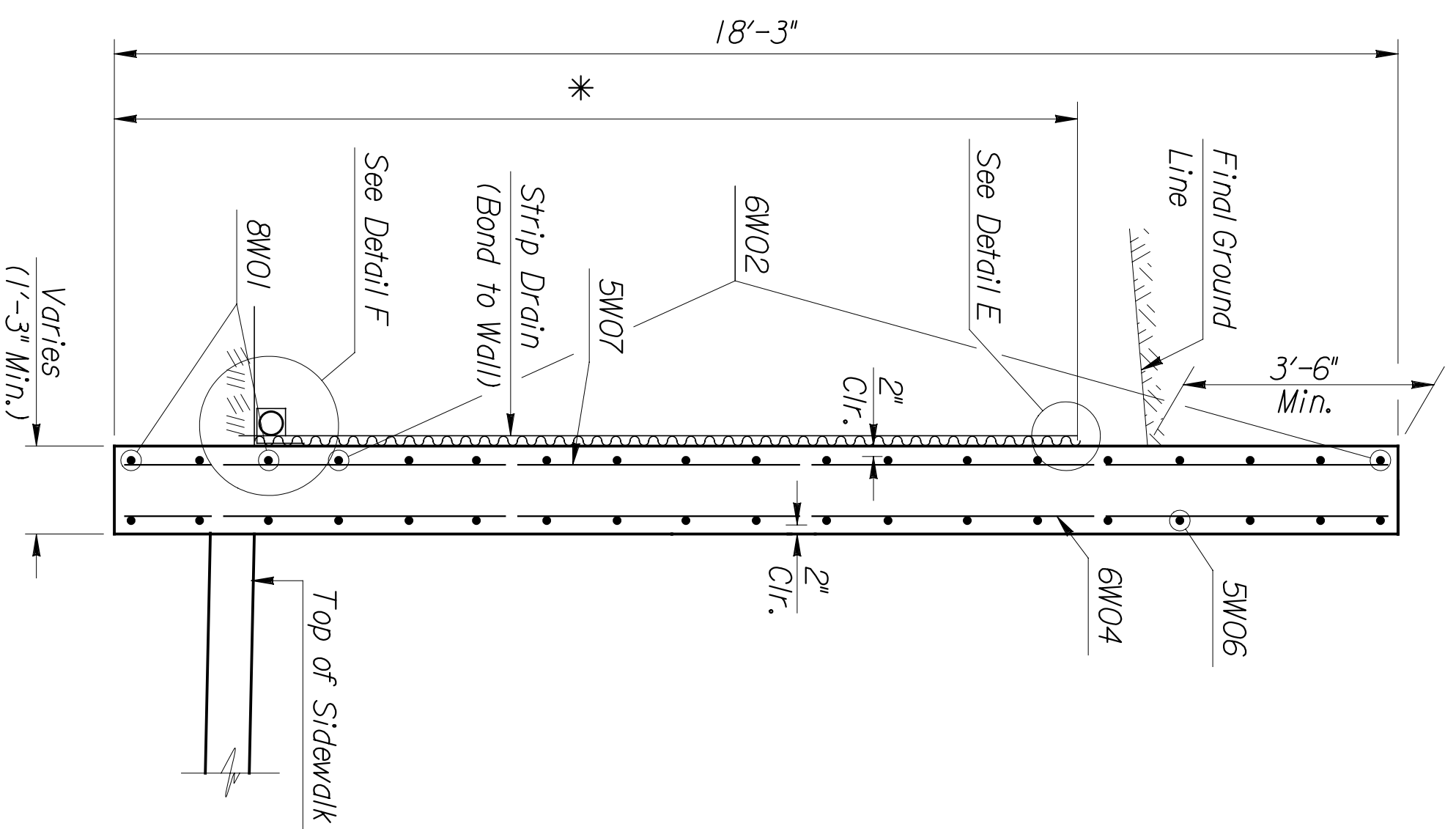
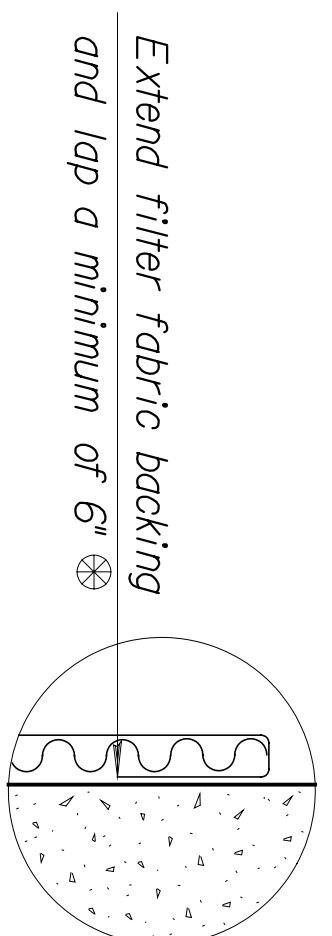


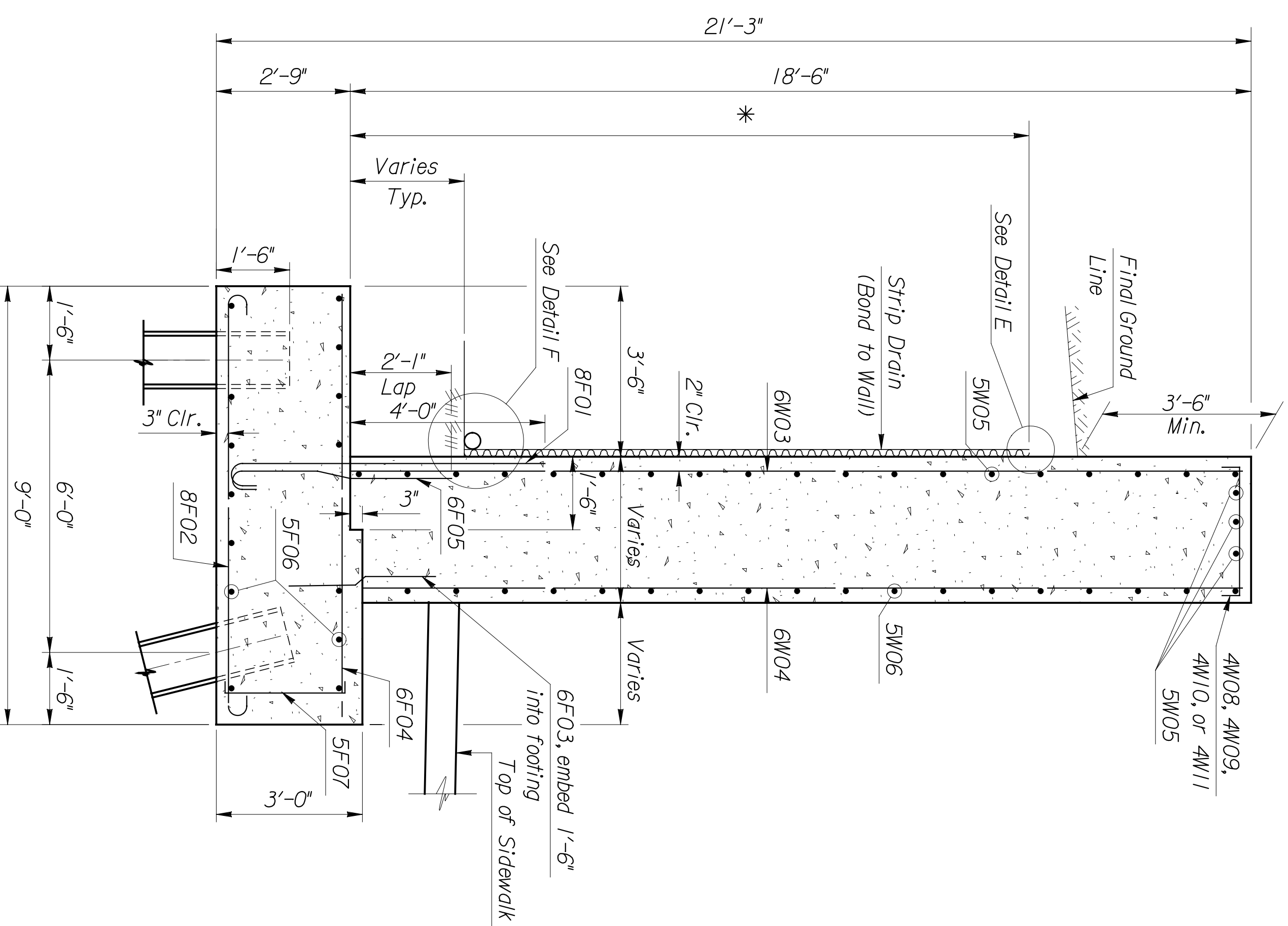
	BY	DATE



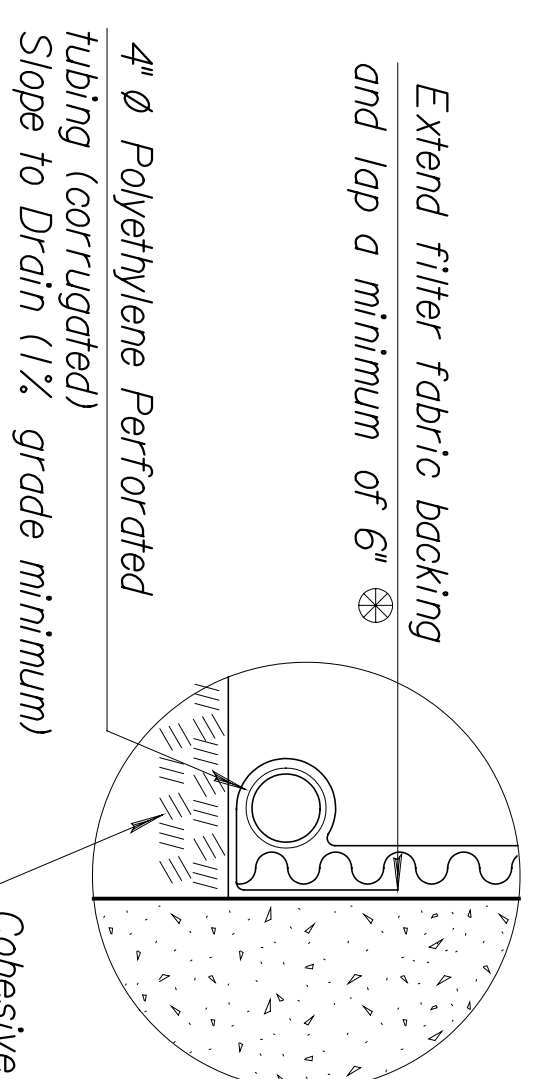
SECTION B-B
 Scale: 1/2" = 1'-0"



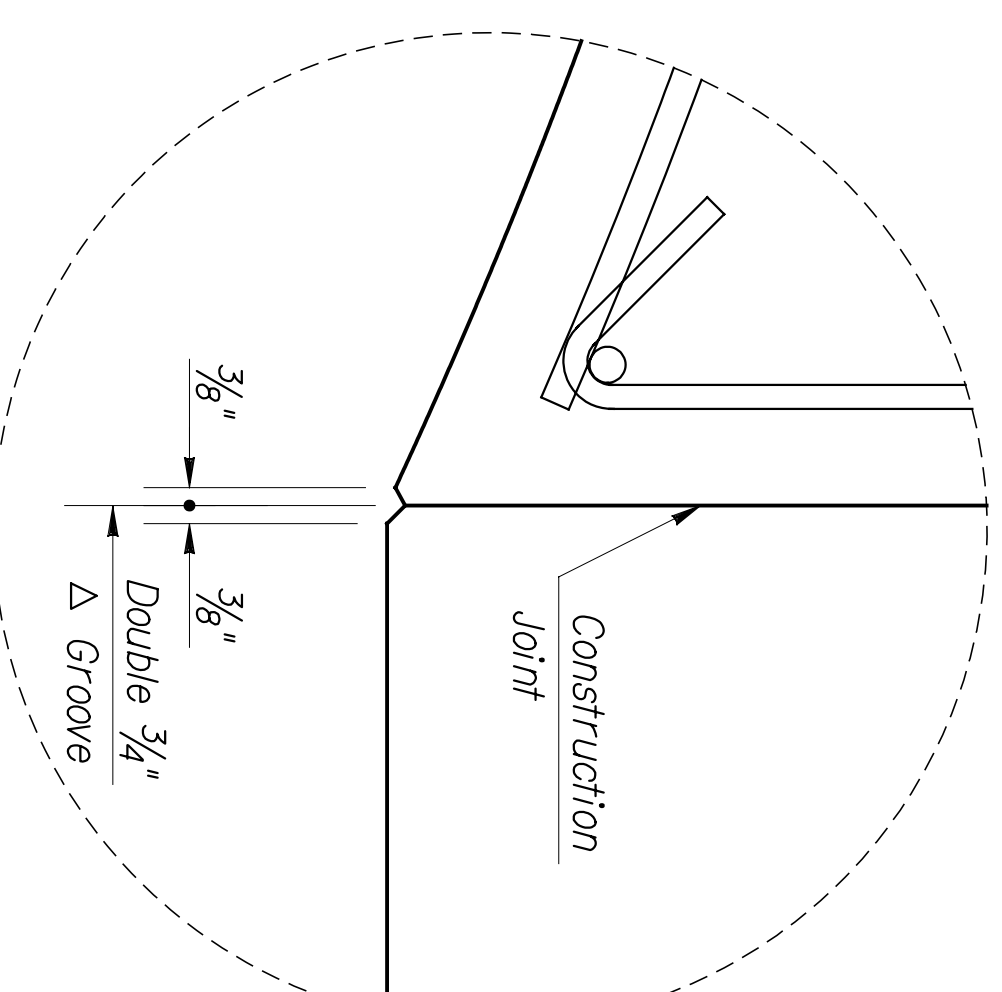
DETAIL E
 No Scale



SECTION C-C
 Scale: 1/2" = 1'-0"



DETAIL F
 No Scale



DETAIL D
 Scale: 3" = 1'-0"

Notes:
 E.F. denotes each face
 F.F. denotes far face
 N.F. denotes near face
 For location of Sections B-B and C-C
 and Detail D see Sheet W4.11.

* Limits of Bridge Backwall
 Protection System

* Subsidiary to the
 Adjutant Strip Drain

This sheet designed by:



ARCHITECTS ENGINEERS PLANNERS

STATE	PROJECT NO.	YEAR	SHEET NO.	TOTAL SHEETS
KANSAS	472-94071	2005	W4.12	

REVISIONS		APPD.	
NO.	DATE	DESIGNED	TRACED
1		DESIGN CR.	TRACED CR.
2		DESIGN CR.	TRACED CR.

CITY OF WICHITA
WICHITA CENTRAL CORRIDOR
2nd STREET WALL (SE)
TYPICAL SECTIONS

SHEET NO.	OF	SCALE	APPD.
DESIGNED	BY	DETAILS	QUANTITIES
DESIGN CR.	DETAIL CR.	CHK.	QUANTITIES