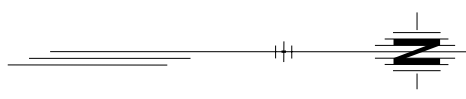
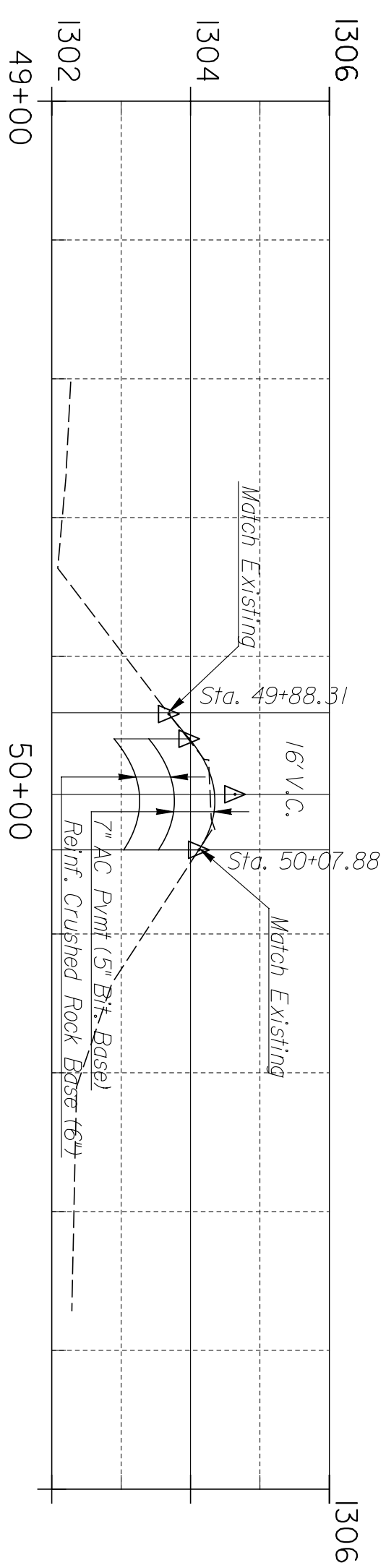
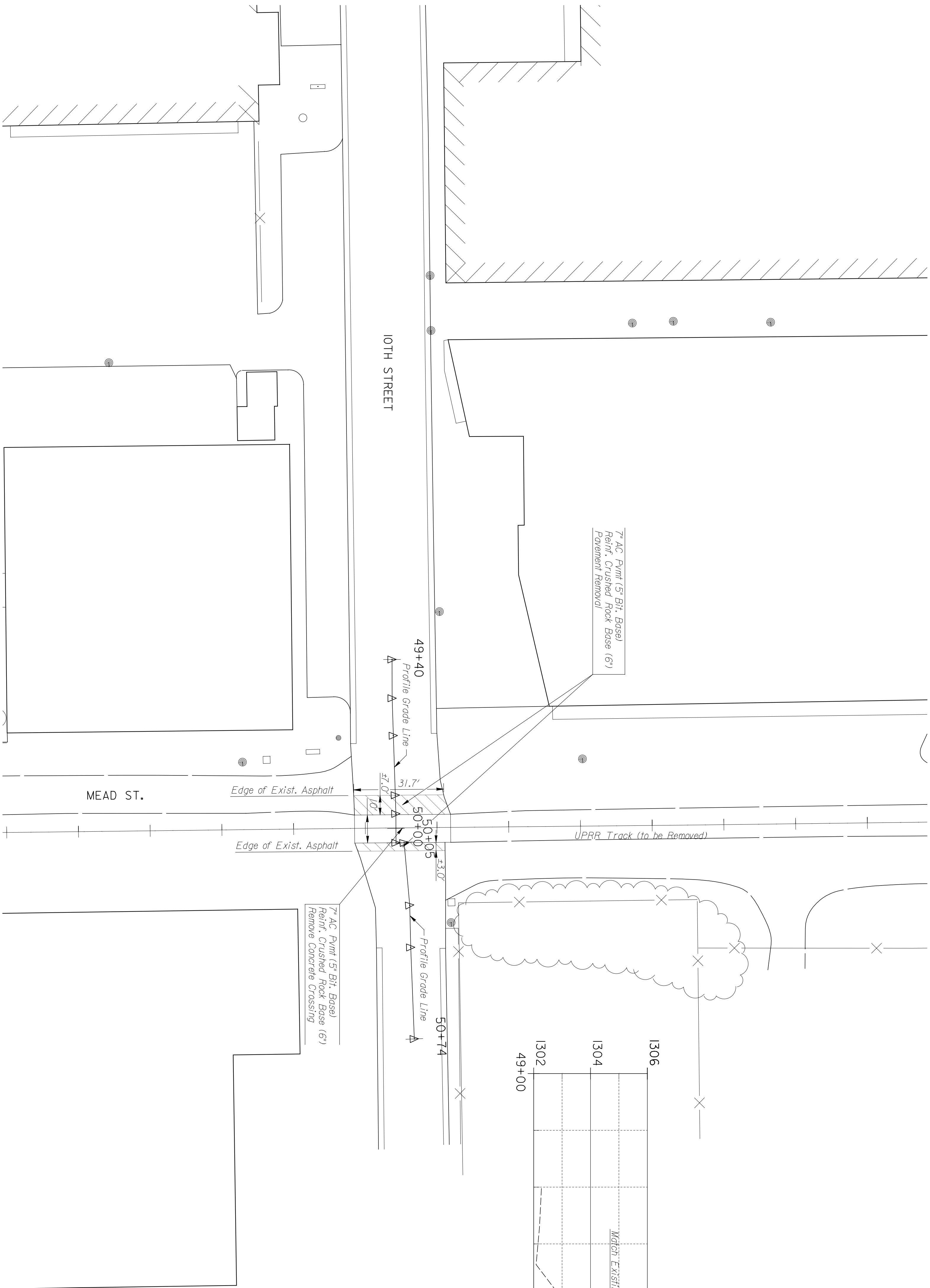


	BY	DATE

Plotted on: Wednesday January 05, 2005 11:11AM
 adayhoff Plot Queue: \\cbsw100\KC029049-PS
 Plot Scale: 20,000000h,000000 Pen Table: \\ovpw00\Jobs\29049\Highway\Llibrary\lplotpen\half.pen
 Design Filename: J:\29049\CD\plan\wc_UPRRCross_10th.dgn



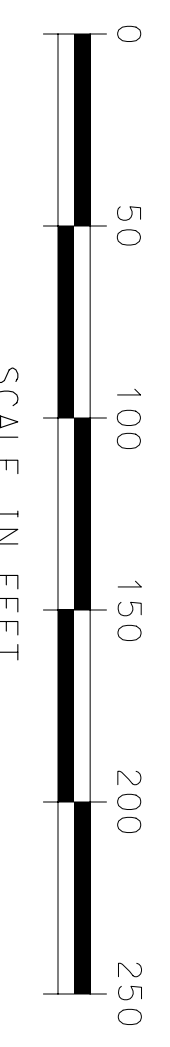
STATE	PROJECT NO.	YEAR	SHEET NO.	TOTAL SHEETS
KANSAS	472-84071	2005	SIL3	

This sheet designed by:



ARCHITECTS ENGINEERS PLANNERS

Note:
 To be coordinated with the UPRR Track Removal plans, see Sheet R3.1/B.



CITY OF WICHITA

**WICHITA CENTRAL CORRIDOR
 UPRR CROSSING PLAN
 10TH STREET**

REVISIONS		BY	APP'D.
3			
2			
1			
NO.	DATE		

SHEET NO.	OF	SCALE	TOTAL	APP'D.	TRACED
DESIGNED	DKS	DETAILED	DMS	QUANTITIES	TRACED
DESIGN CR.	AMD	DETAIL CR.	AMD	QUANTITIES	TRACED