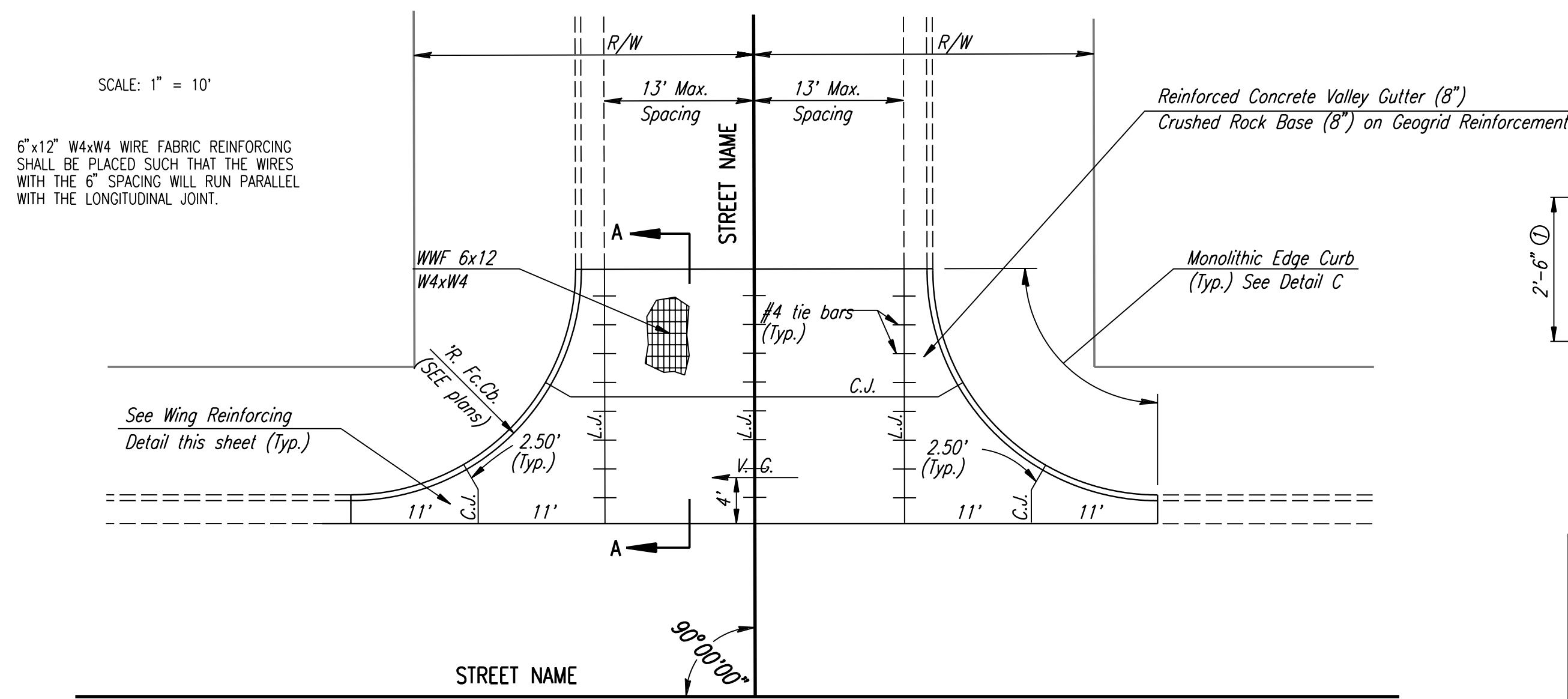
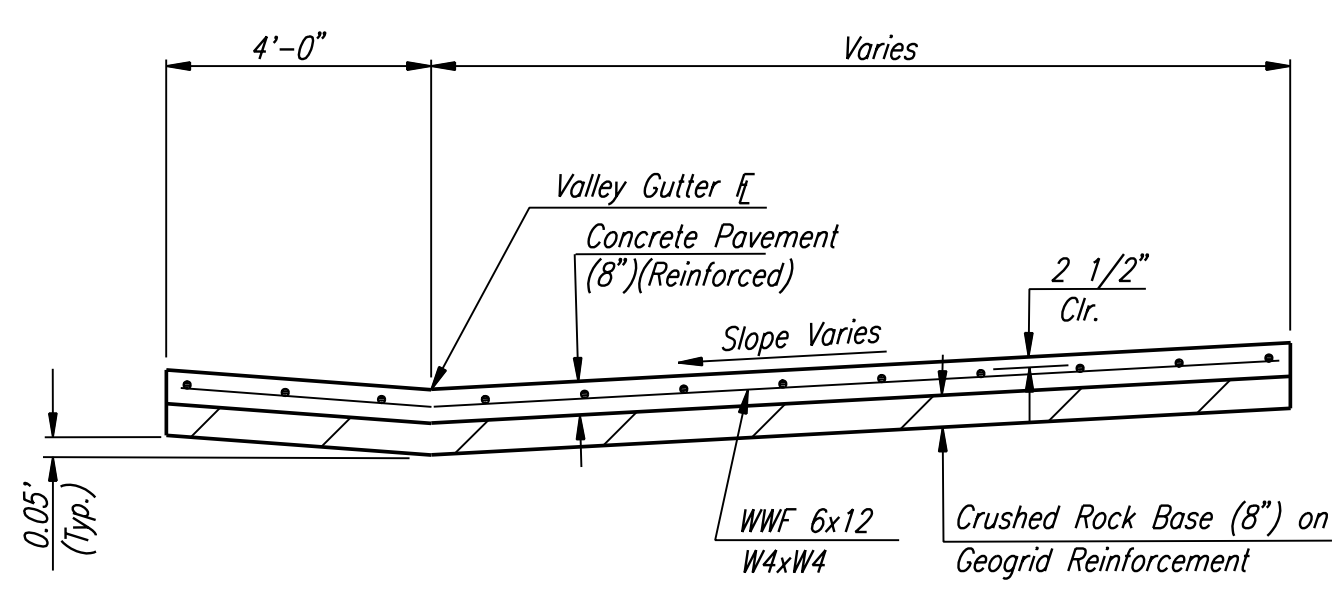


PROJECT NO.	SHEET NO.	TOTAL SHEETS
472-84071	S6.3	X

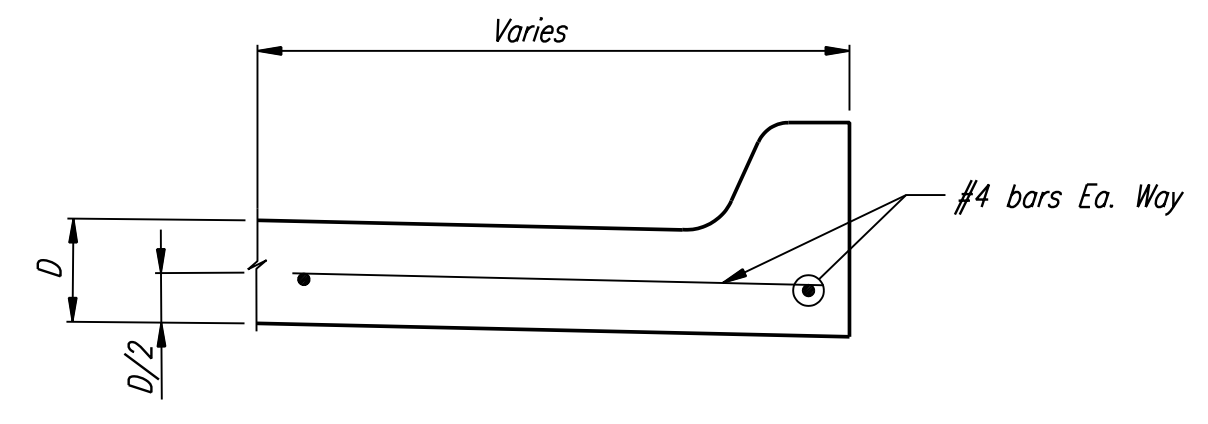


PLAN  
REINFORCED VALLEY GUTTER

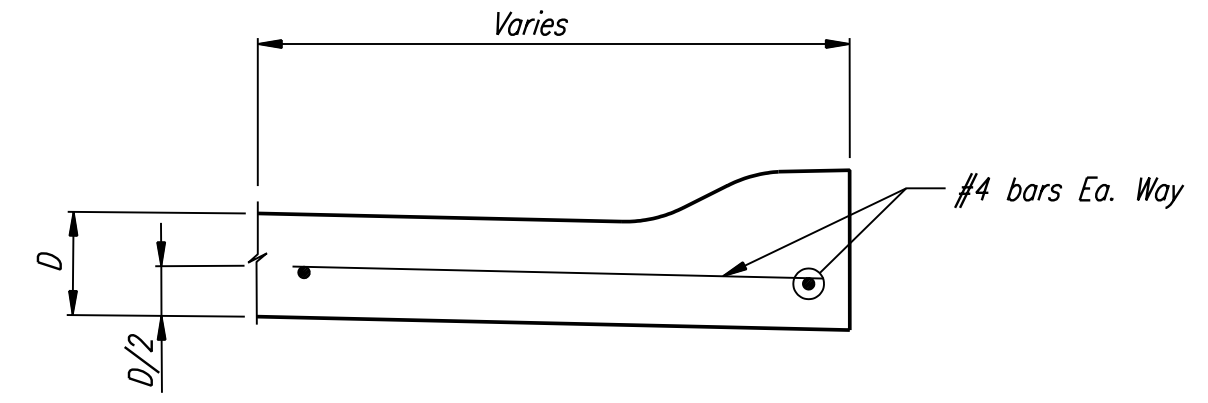


SECTION A-A

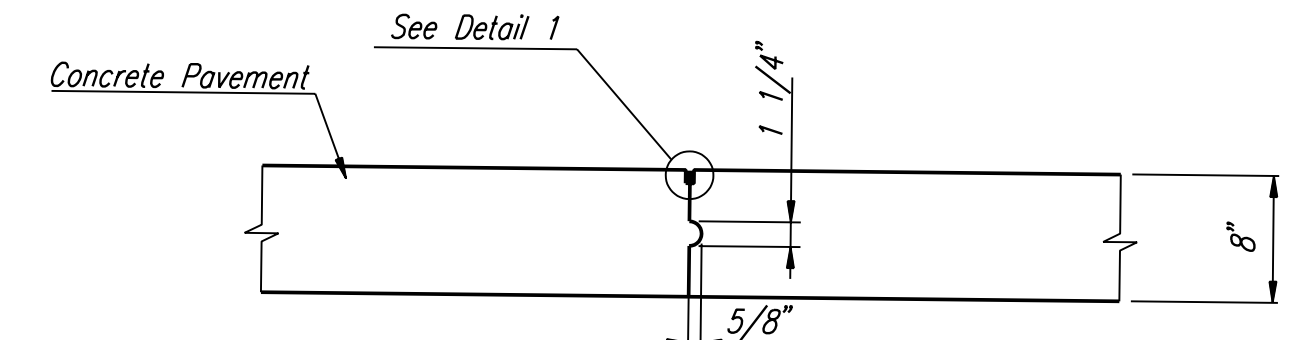
NOTE: OMIT REINFORCING MESH AT ALL JOINTS  
NOTE: ALL CONCRETE VALLEY GUTTER REINFORCEMENT SHALL BE ADEQUATELY SUPPORTED BY BAR CHAIRS IN THE REQUIRED POSITION UNLESS APPROVED OTHERWISE BY THE ENGINEER.



SECTION C-C

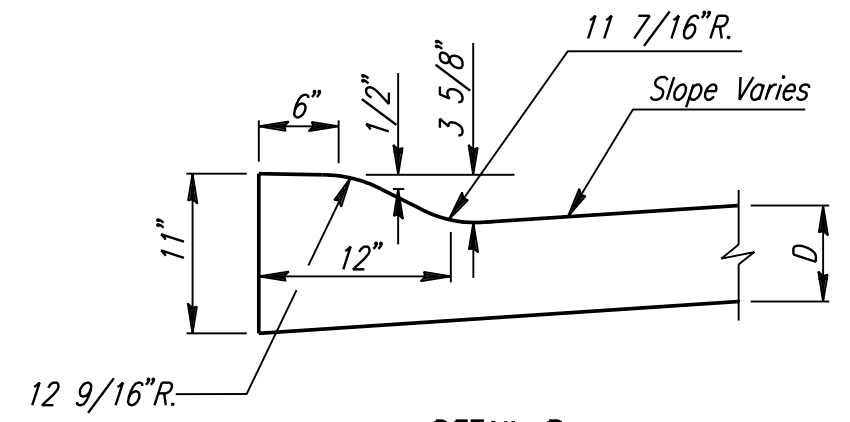


SECTION C-C

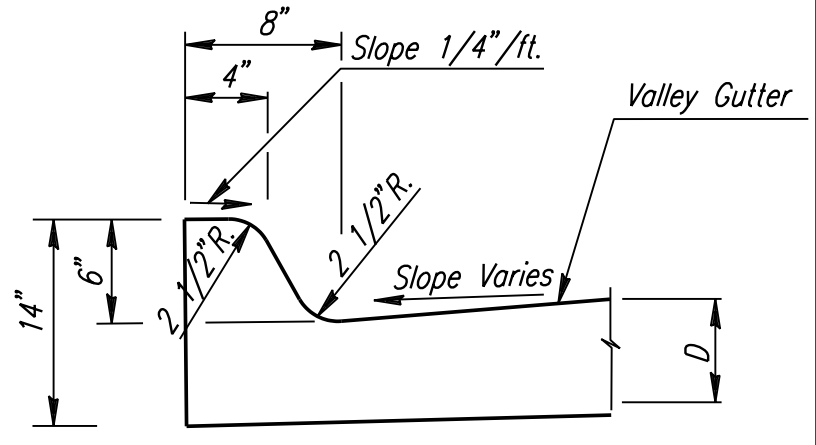


KEYWAY DETAIL

VALLEY GUTTER DETAILS

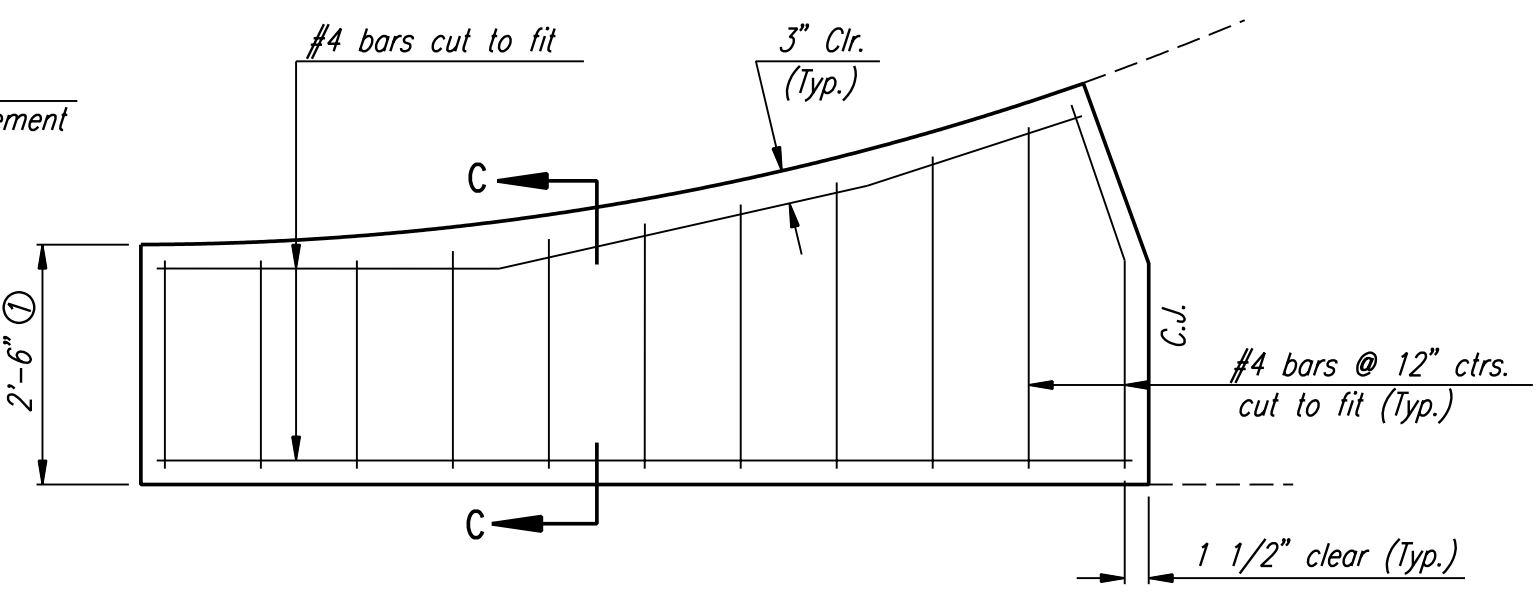
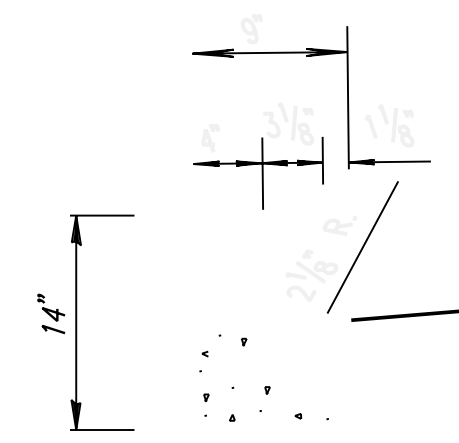


DETAIL B  
(ROLL-TYPE CURB)(3 5/8")



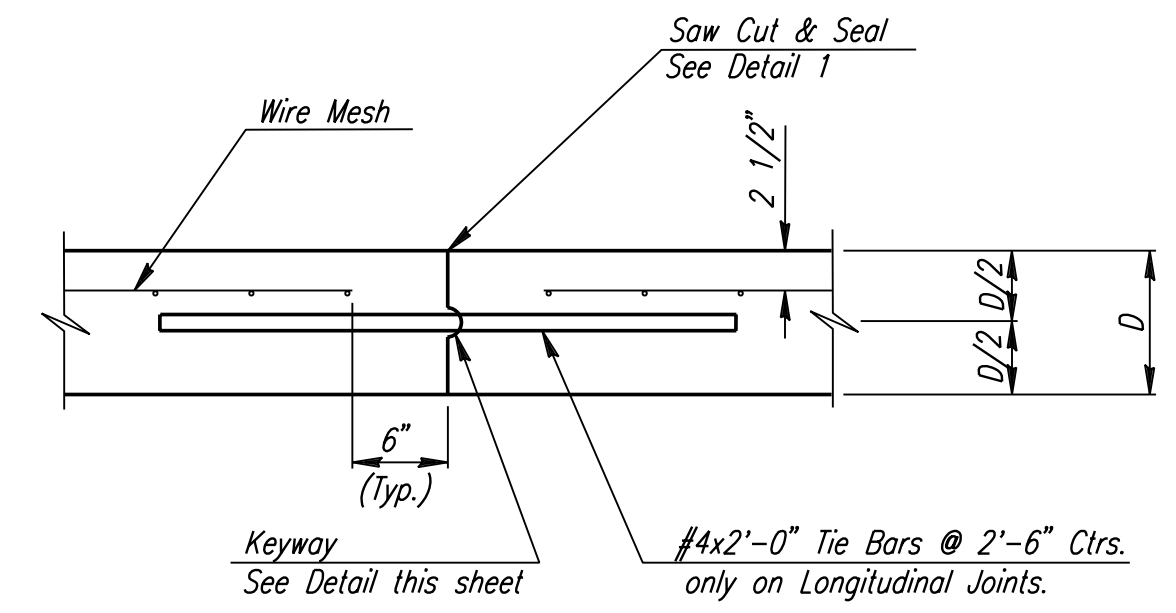
DETAIL C  
(STANDARD CURB)(6")

MONOLITHIC EDGE CURB



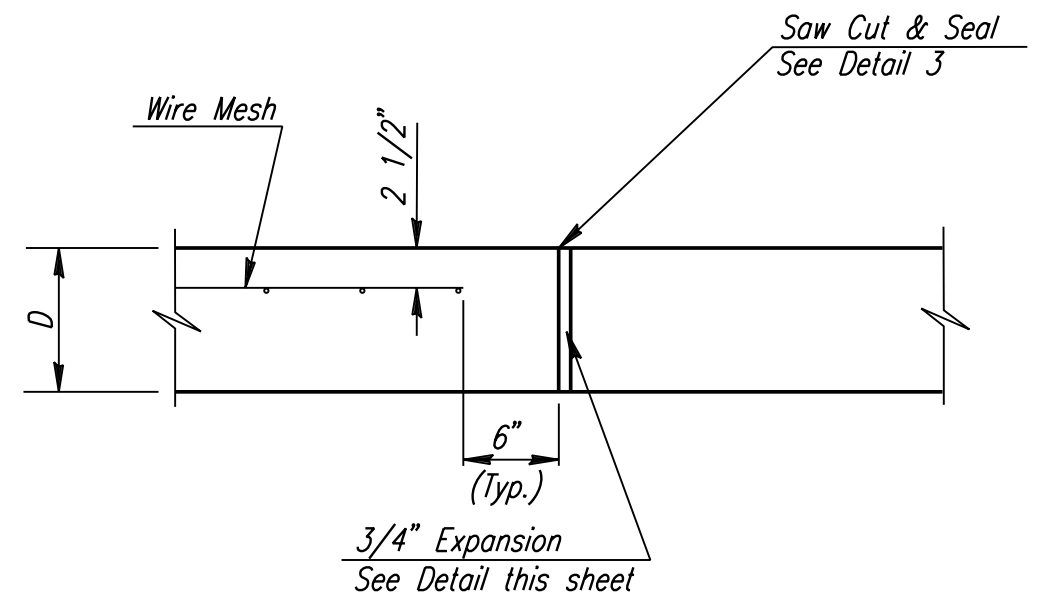
WING REINFORCING DETAIL

NOTE: OMIT WIRE FABRIC REINFORCING IN THIS SECTION.  
① 2'-0" on 13th street only

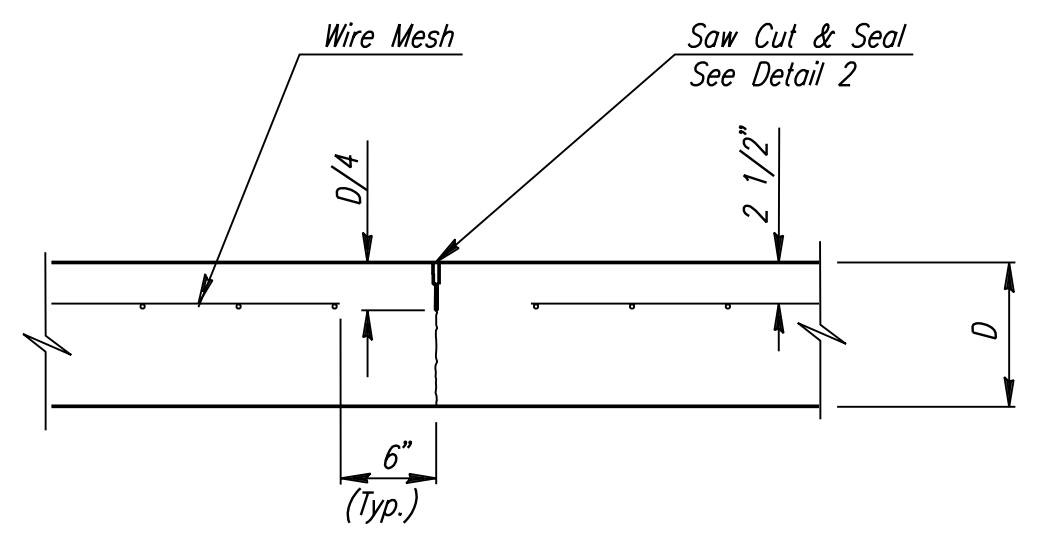


CONSTRUCTION JOINT DETAIL  
REINFORCED PAVEMENT  
(ALTERNATE L.J.)

(OMIT TIE BARS ON K.J. OR ALTERNATE C.J.)

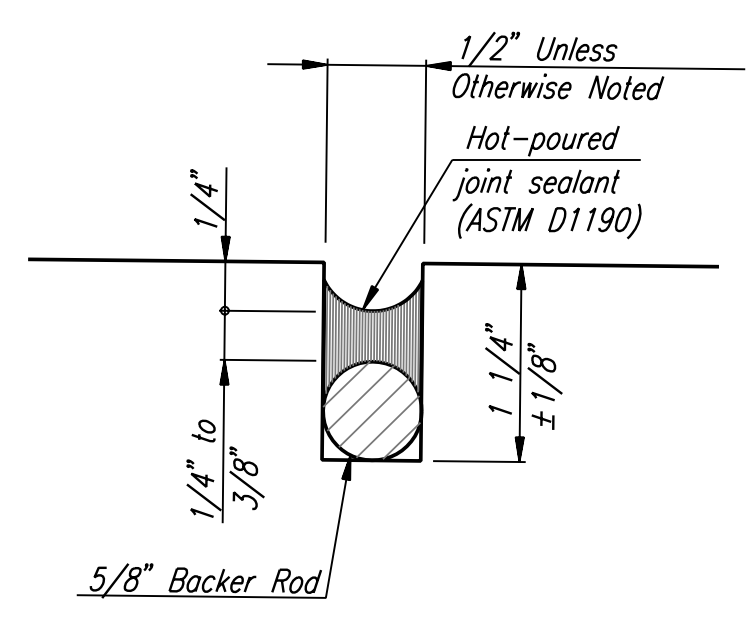


ISOLATION JOINT DETAIL  
REINFORCED PAVEMENT  
(I.J.)

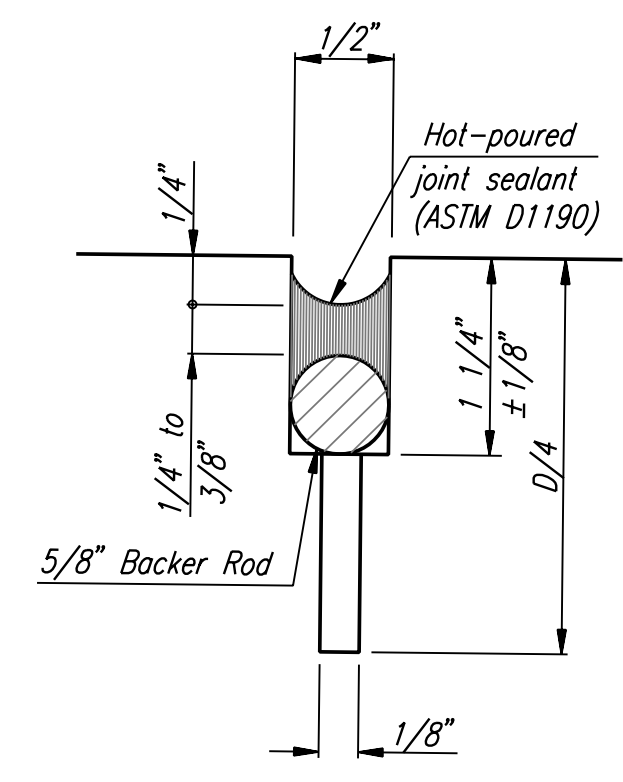


TRANSVERSE JOINT DETAIL  
REINFORCED PAVEMENT  
(C.J.)

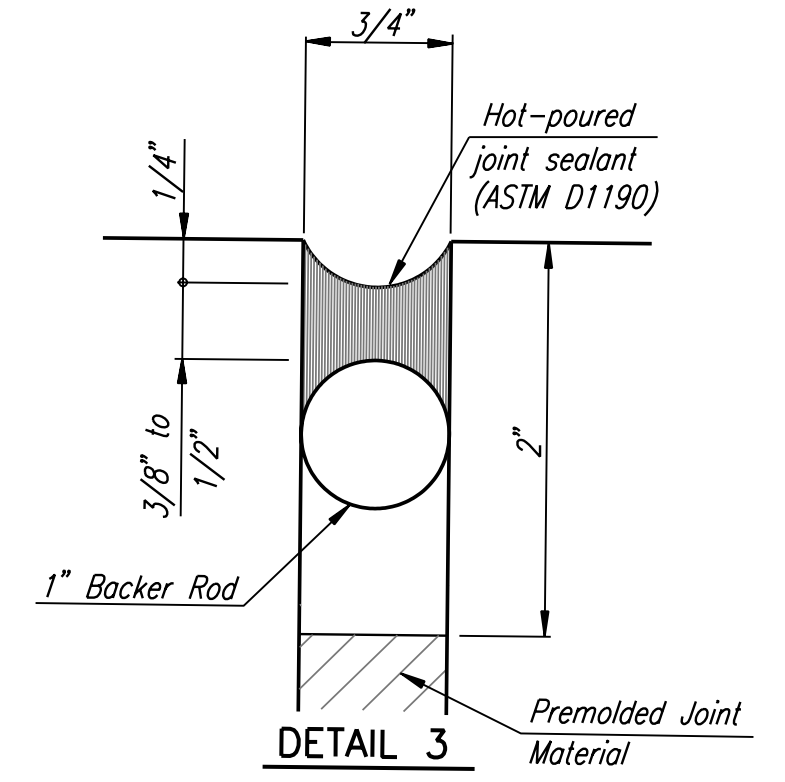
CONCRETE PAVEMENT DETAILS



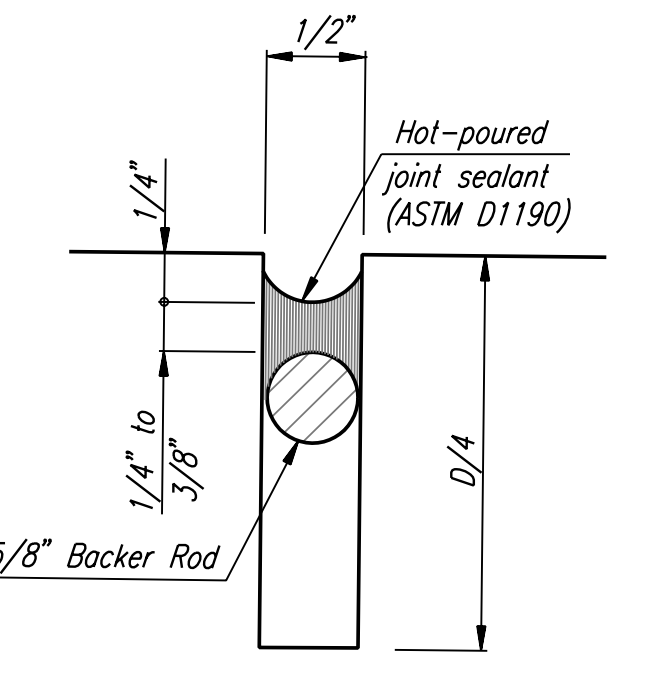
DETAIL 1



METHOD I

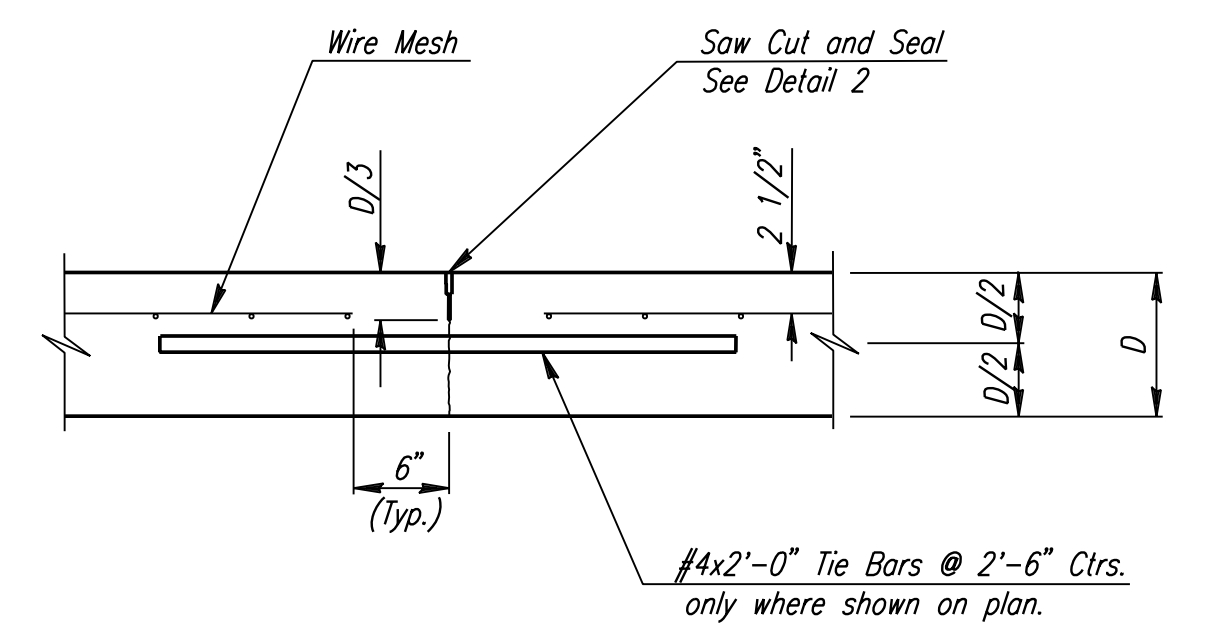


DETAIL 3



METHOD II

DETAIL 2



LONGITUDINAL JOINT DETAIL  
REINFORCED PAVEMENT  
(L.J.)

CONCRETE PAVEMENT &  
VALLEY GUTTER DETAILS

Professional Engineering Consultants, P.A.  
303 S. TOPEKA • WICHITA, KANSAS 67202  
316-262-2691 • FAX 316-262-3003

Designed by	BDB	Checked by	
Drawn by	BJS	Date	1999
		Job No.	99189

DSMR: BDB OPER: SDM SCALE: 1/1999/99189/BID SET 3/SHEETS/S6.3 PVT&VG DTLS.DGN 16:47:36 LAST REV: 3-24-2004 BY: drp