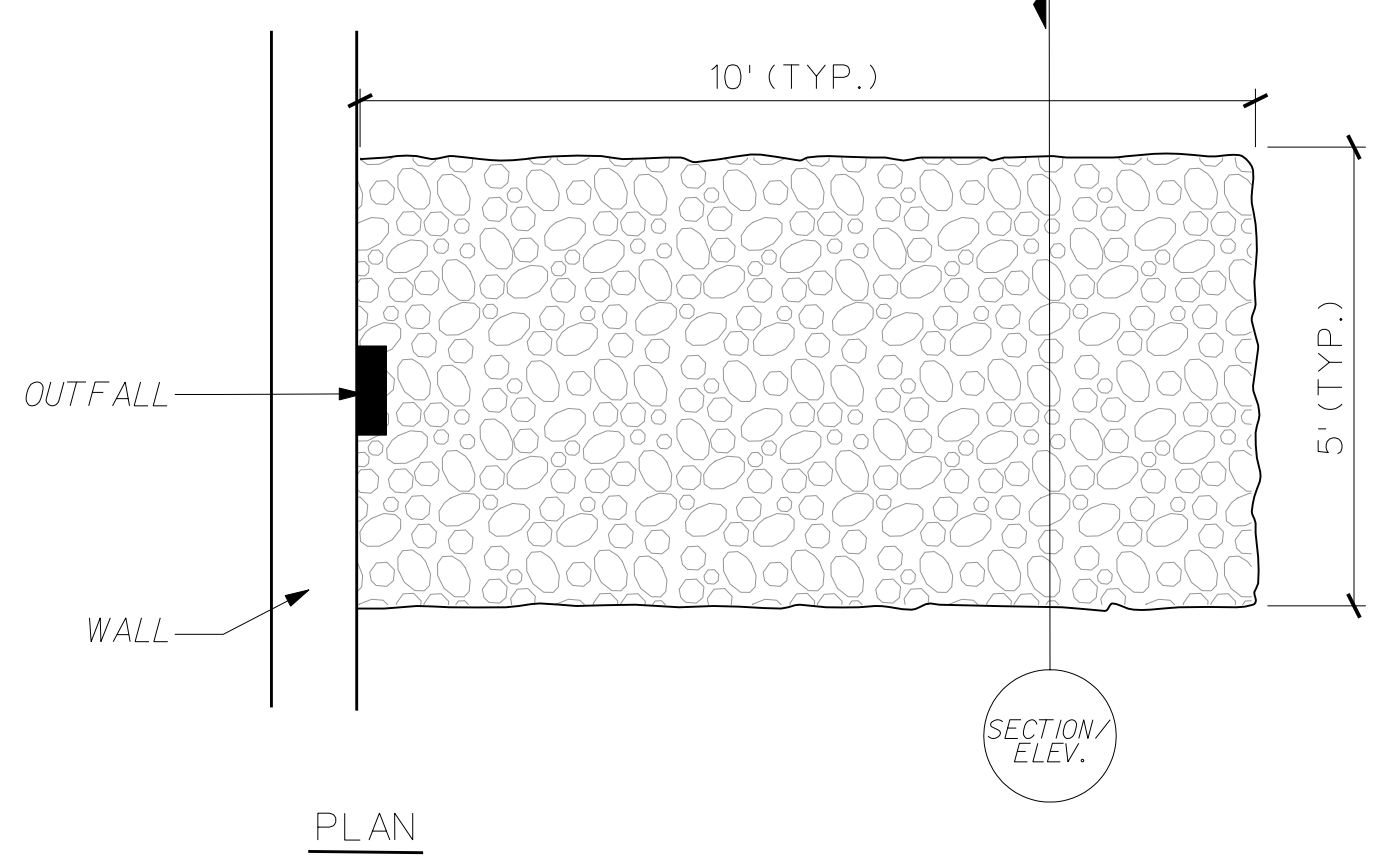
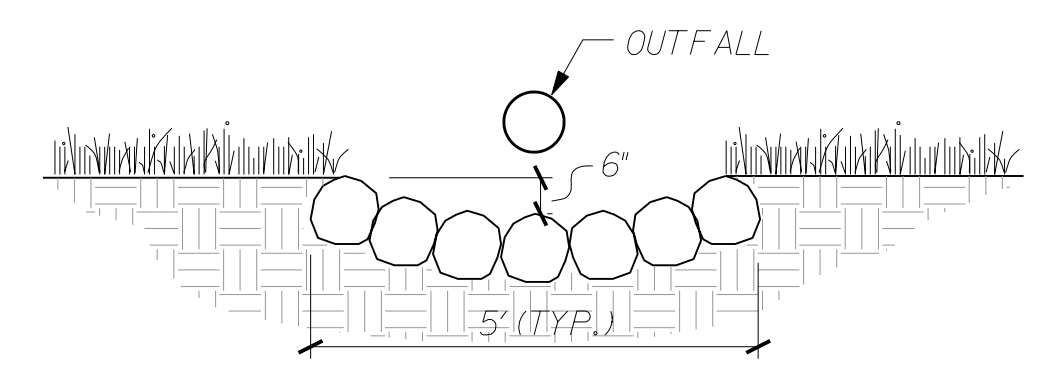


STATE	PROJECT NO.	YEAR	SHEET NO.	TOTAL SHEETS
KANSAS	472-84071	2005	L1.23	



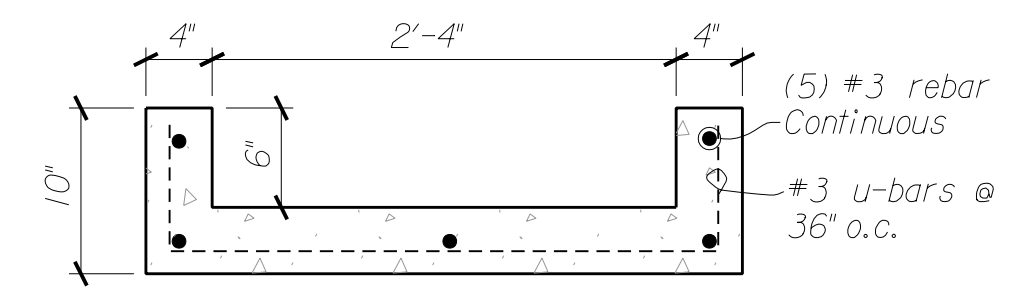
PLAN

SECTION/ELEV.

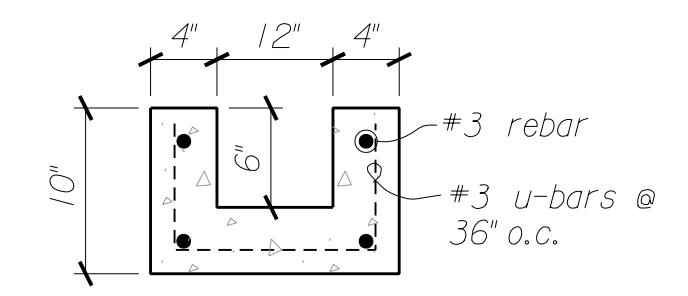


SECTION \ ELEVATION

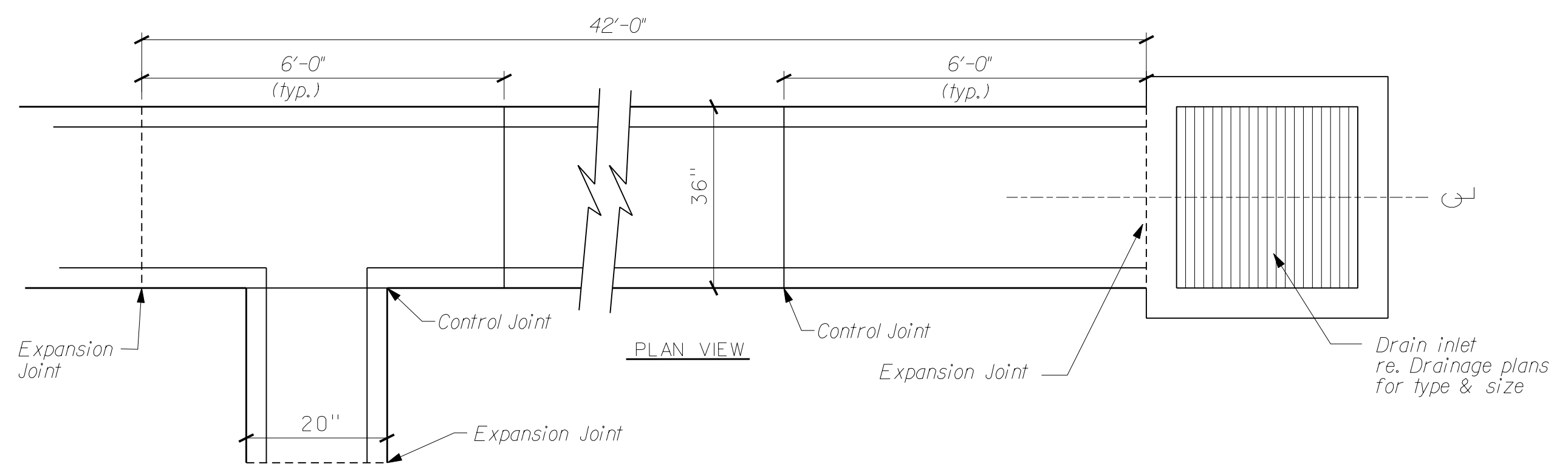
01 RipRap (Light Stone) N.T.S.



CONCRETE FLUME (36'') - SECTION



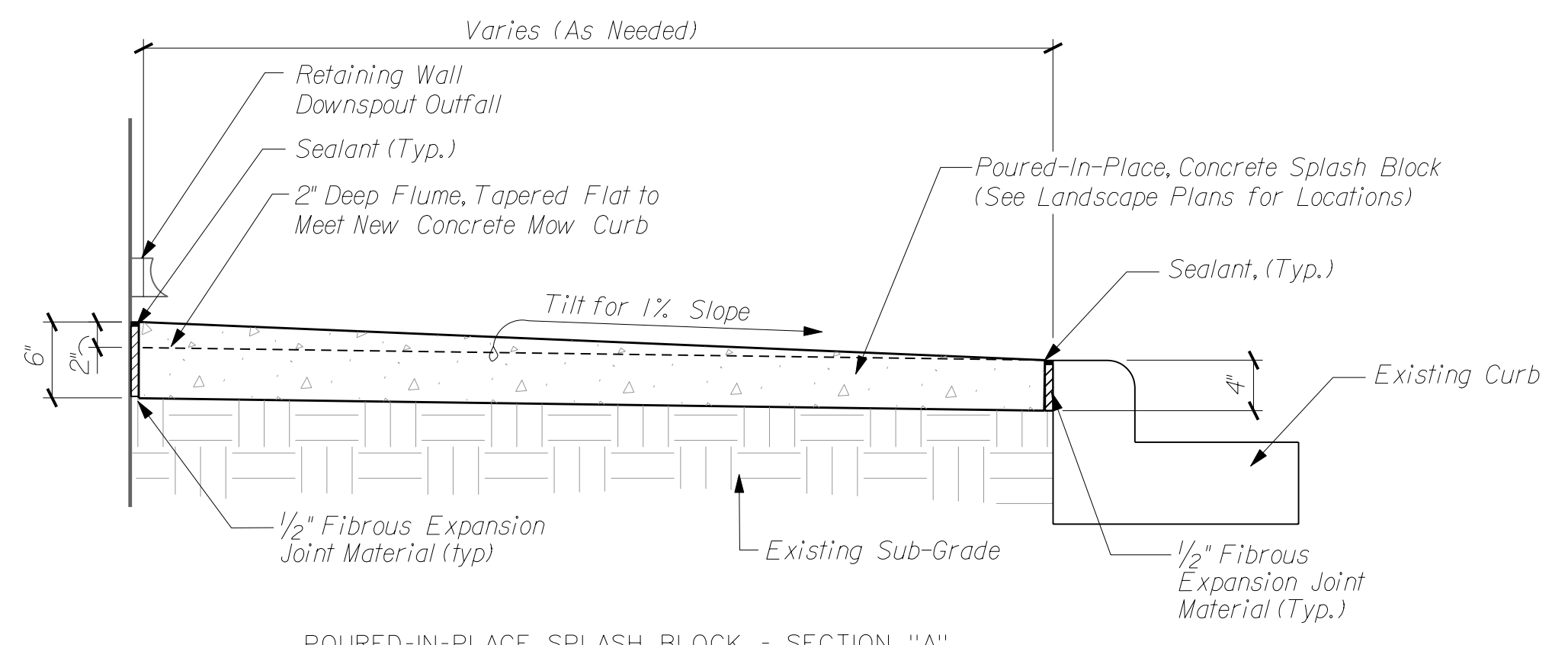
CONCRETE FLUME (20'') - SECTION



PLAN VIEW

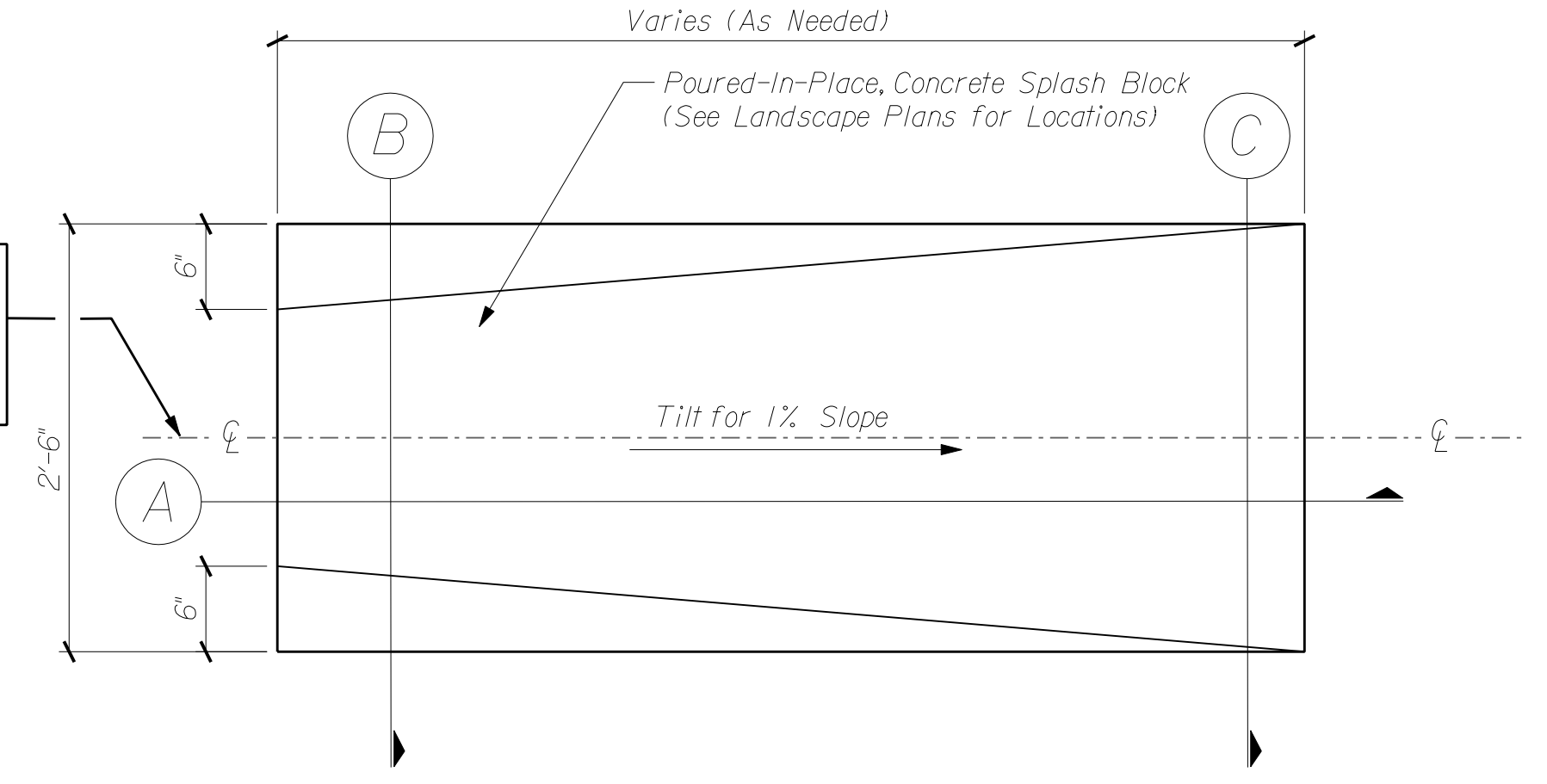
03 Cast-In-Place Concrete Drainage Flume N.T.S.

NOTE:
The Locations For Splash Blocks That Are To Be Poured-In-Place Due To Inconsistent Lengths are shown on the Landscape Plan Sheets L1.2 - L1.22. The Poured-In-Place Splash Blocks Are To Be Constructed In a Manner Consistent With The Details On This Sheet.



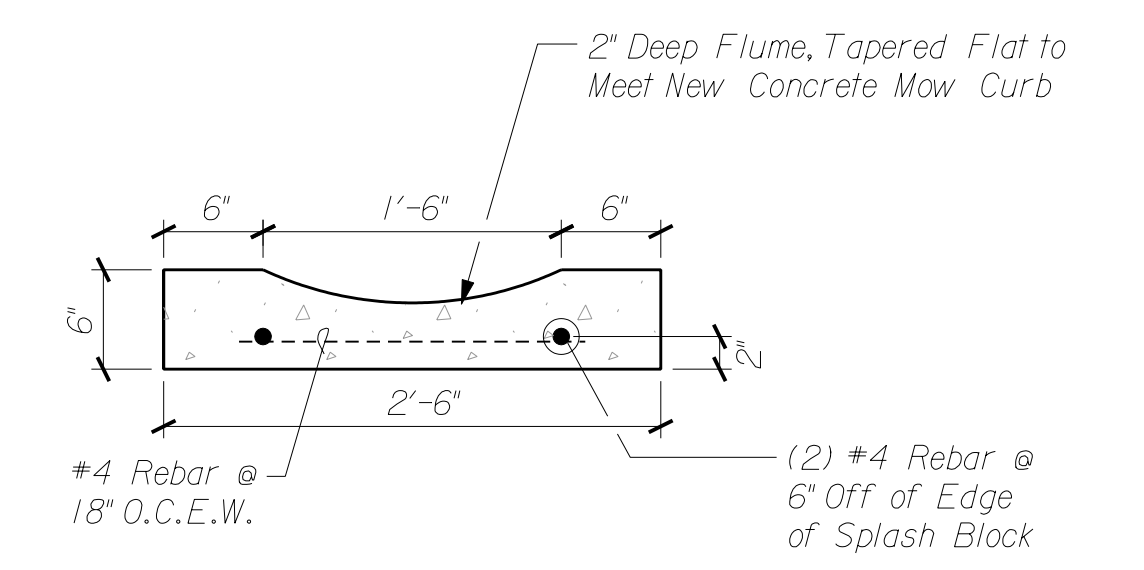
POURED-IN-PLACE SPLASH BLOCK - SECTION "A"

NOTE:
New Splash Blocks Are To Be Poured on the ℓ of the Retaining Wall Downspout Outfalls.

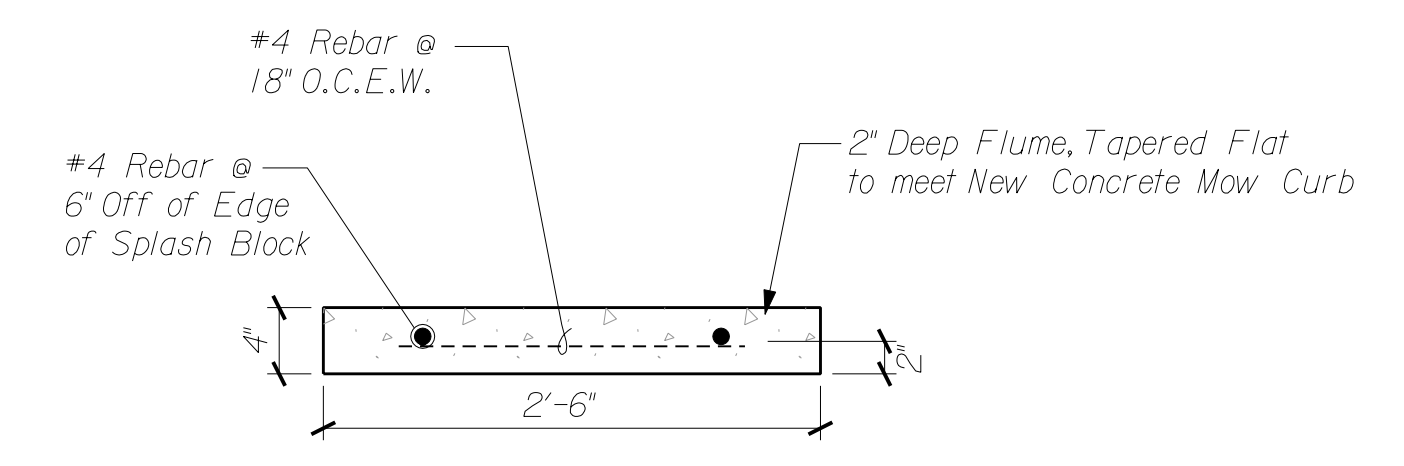


POURED-IN-PLACE SPLASH BLOCK - PLAN

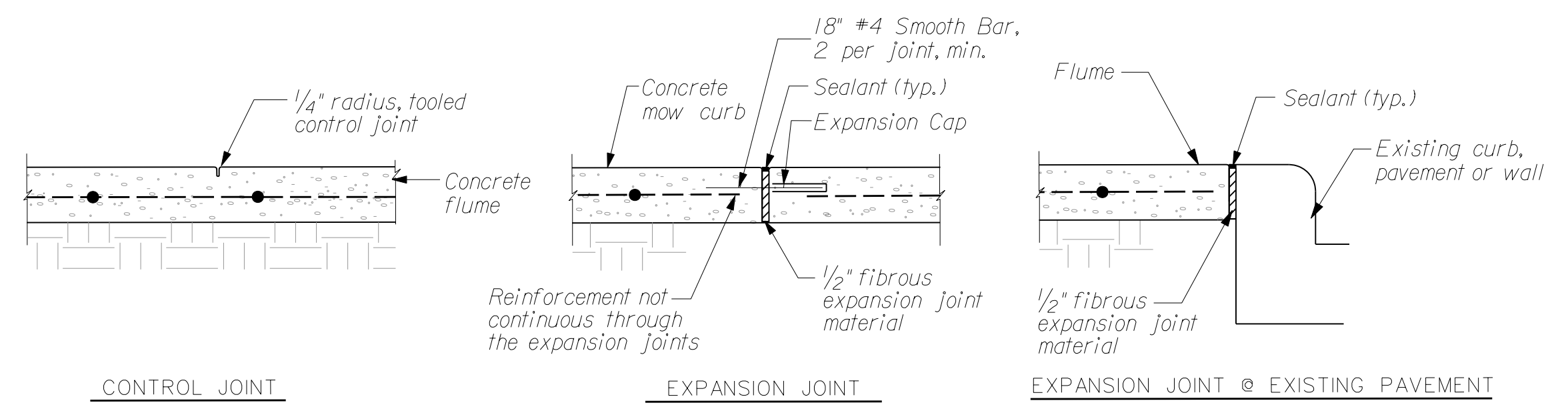
02 Poured-In-Place Splash Block - Details Scale: 1/2"=1'-0"



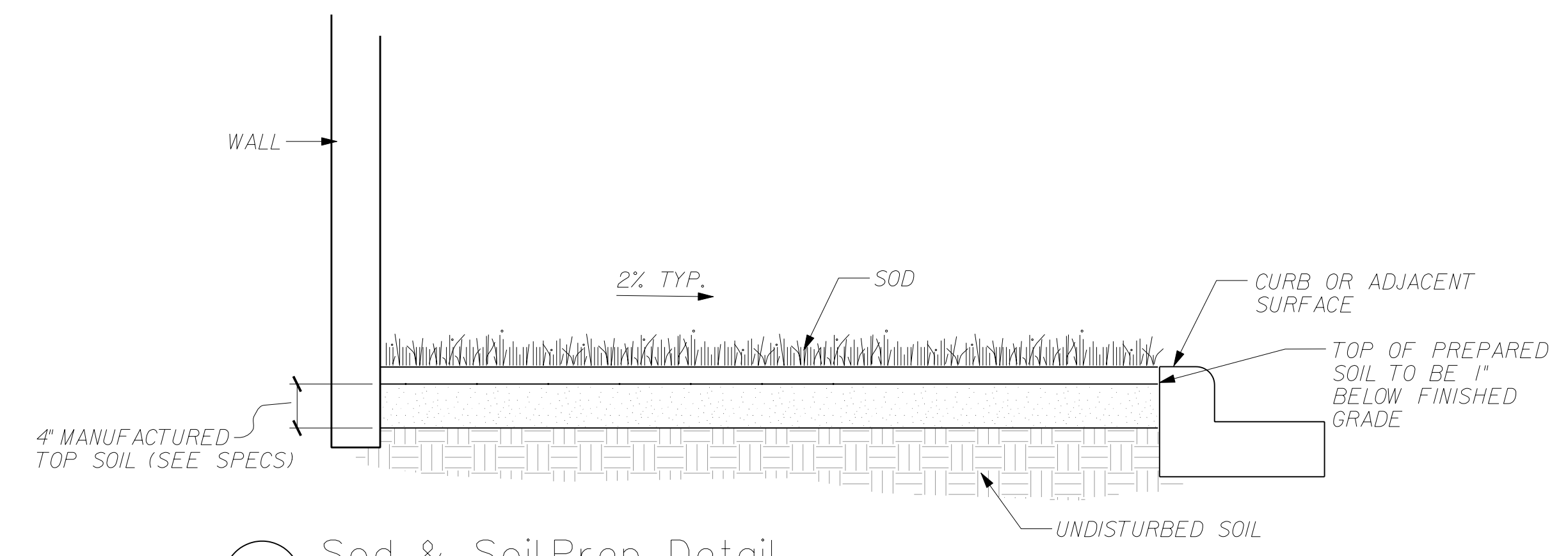
POURED-IN-PLACE SPLASH BLOCK - SECTION "B"



POURED-IN-PLACE SPLASH BLOCK - SECTION "C"



04 Flume Control & Expansion Joint Details N.T.S.



05 Sod & SoilPrep Detail N.T.S.

This sheet designed by:
HNTB
ARCHITECTS ENGINEERS PLANNERS

3					
2					
1					
NO.	DATE	REVISIONS	BY	APP'D	
CITY OF WICHITA WICHITA CENTRAL CORRIDOR LANDSCAPE DETAILS					
SHEET NO. 20 OF 20	SCALE: VARIES	APP'D:			
DESIGNED: JF	DETAILED: JRK, KA	QUANTITIES: JRK, KA	TRACED:		
DESIGN CK.: WP	DETAIL CK.: WSN	QUAN. CK.: WP	TRACE CK.:		