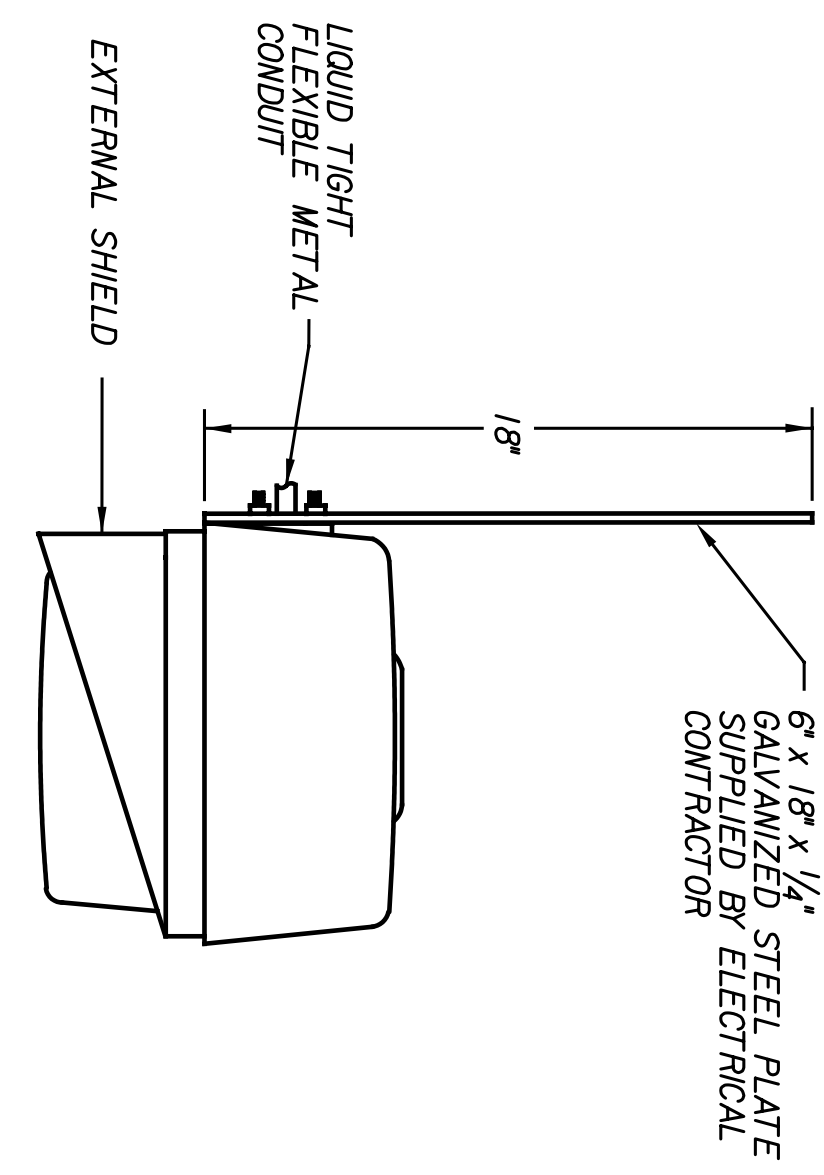
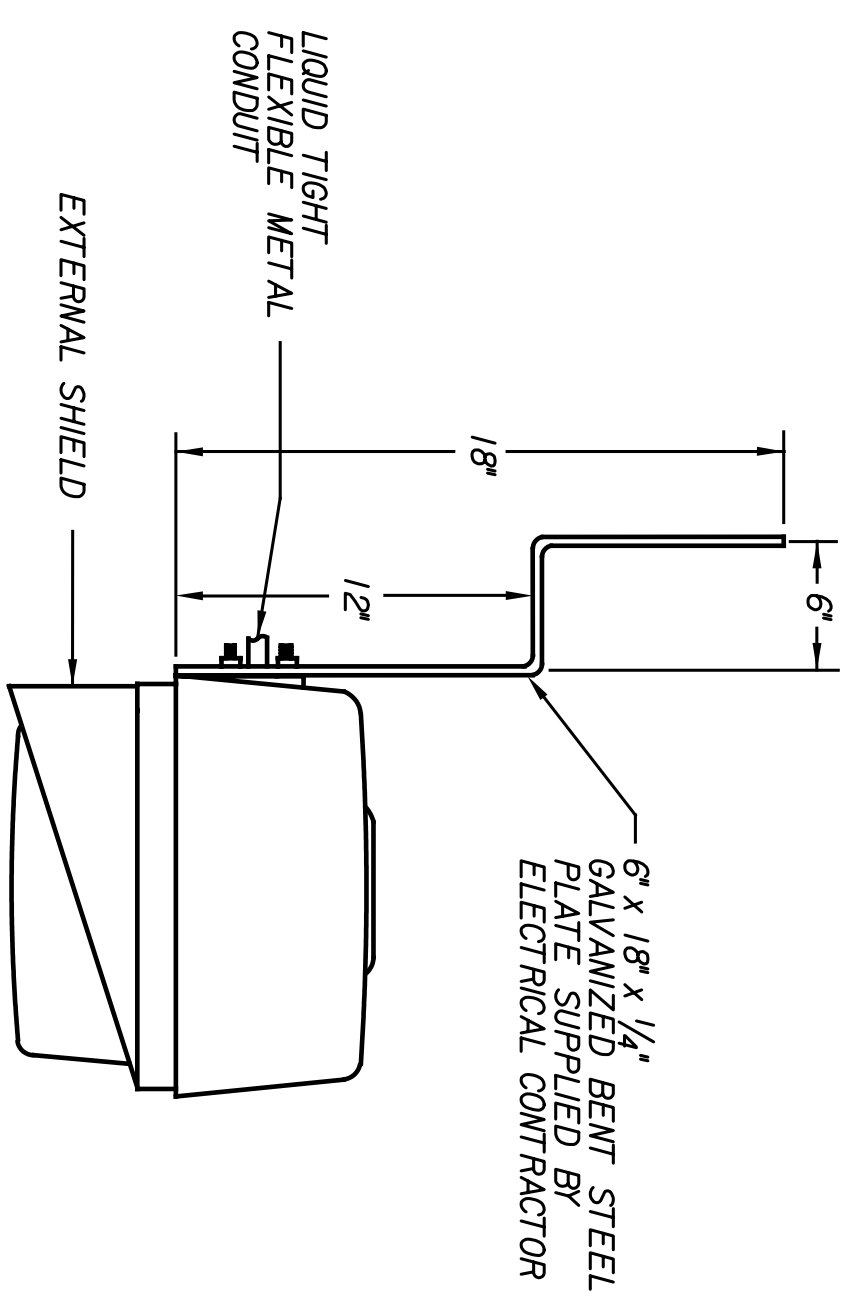
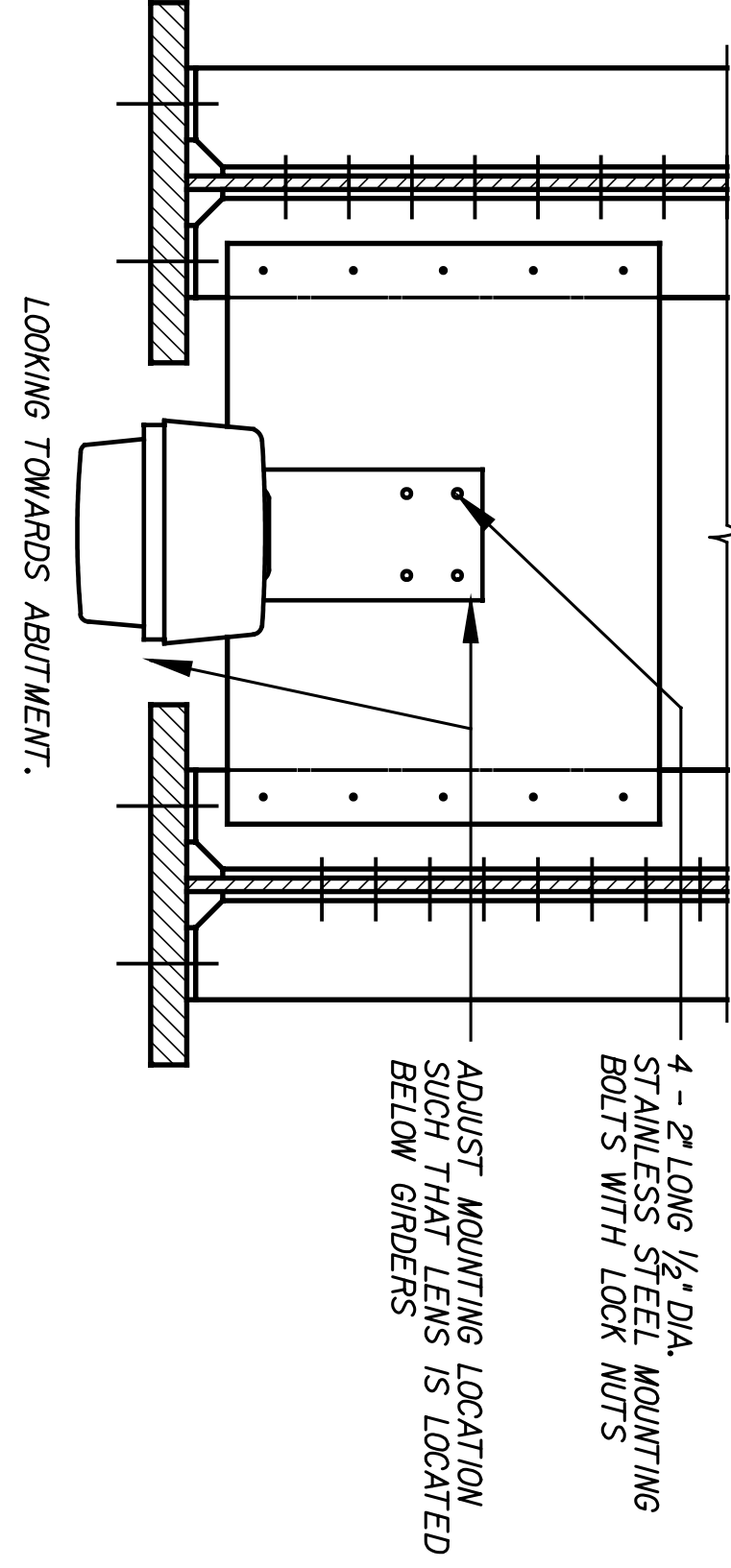


	BY	DATE



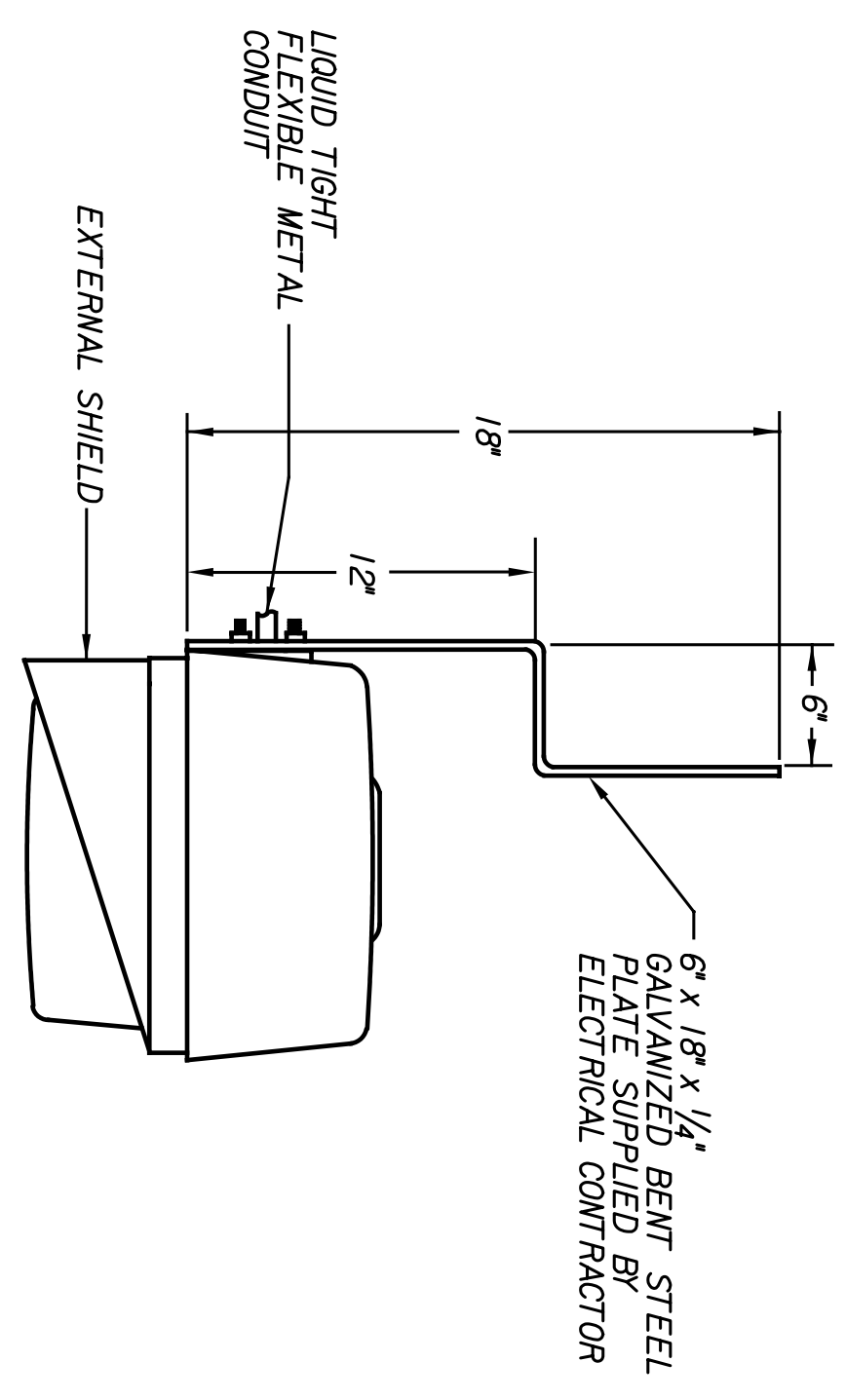
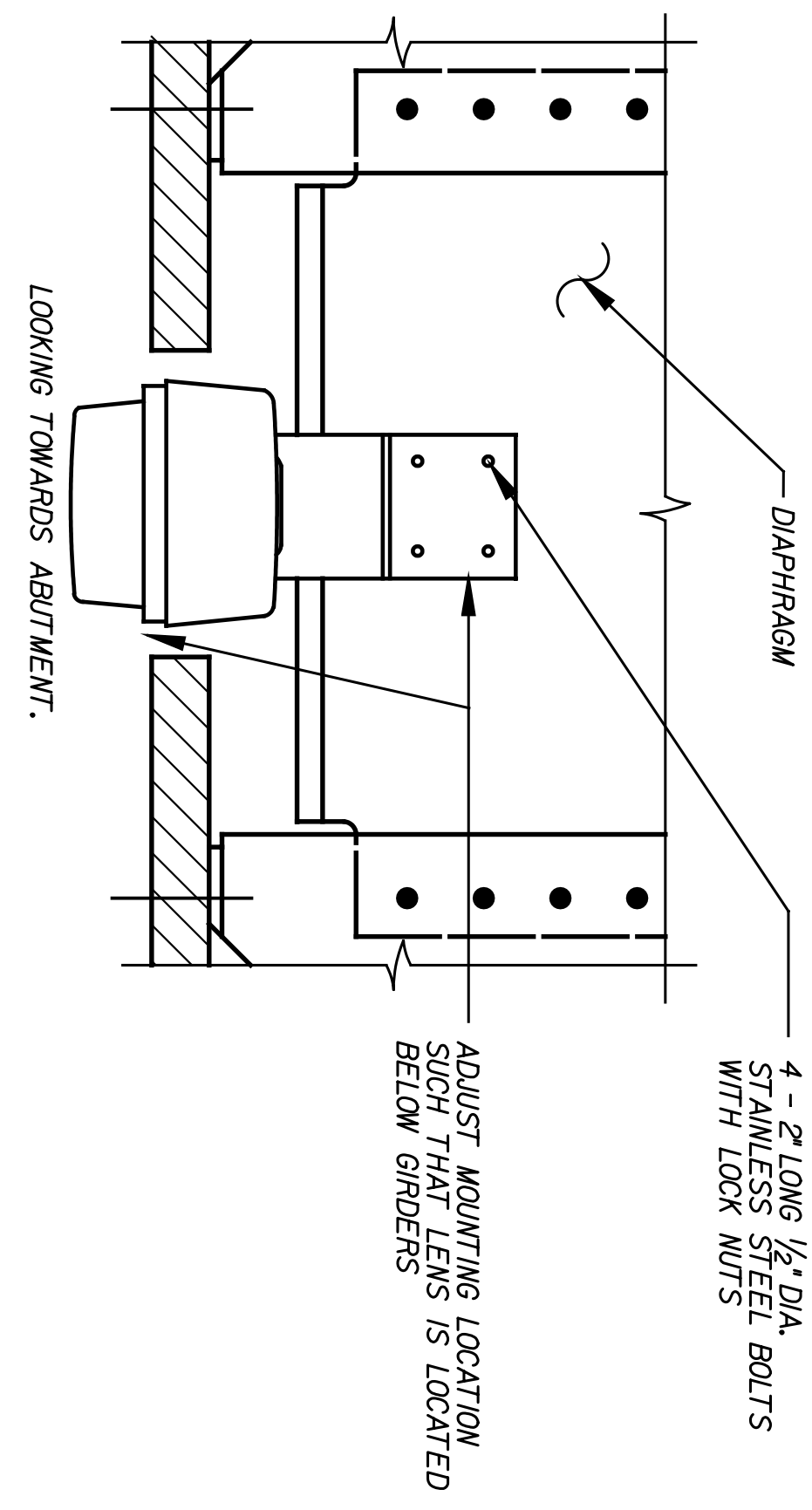
NOTE:
 FIXTURE MOUNTING APPLICABLE TO MURDOCK
 AND CENTRAL UNDERPASSES

HORIZONTAL MOUNT UNDERPASS LUMINAIRE
 Not To Scale:



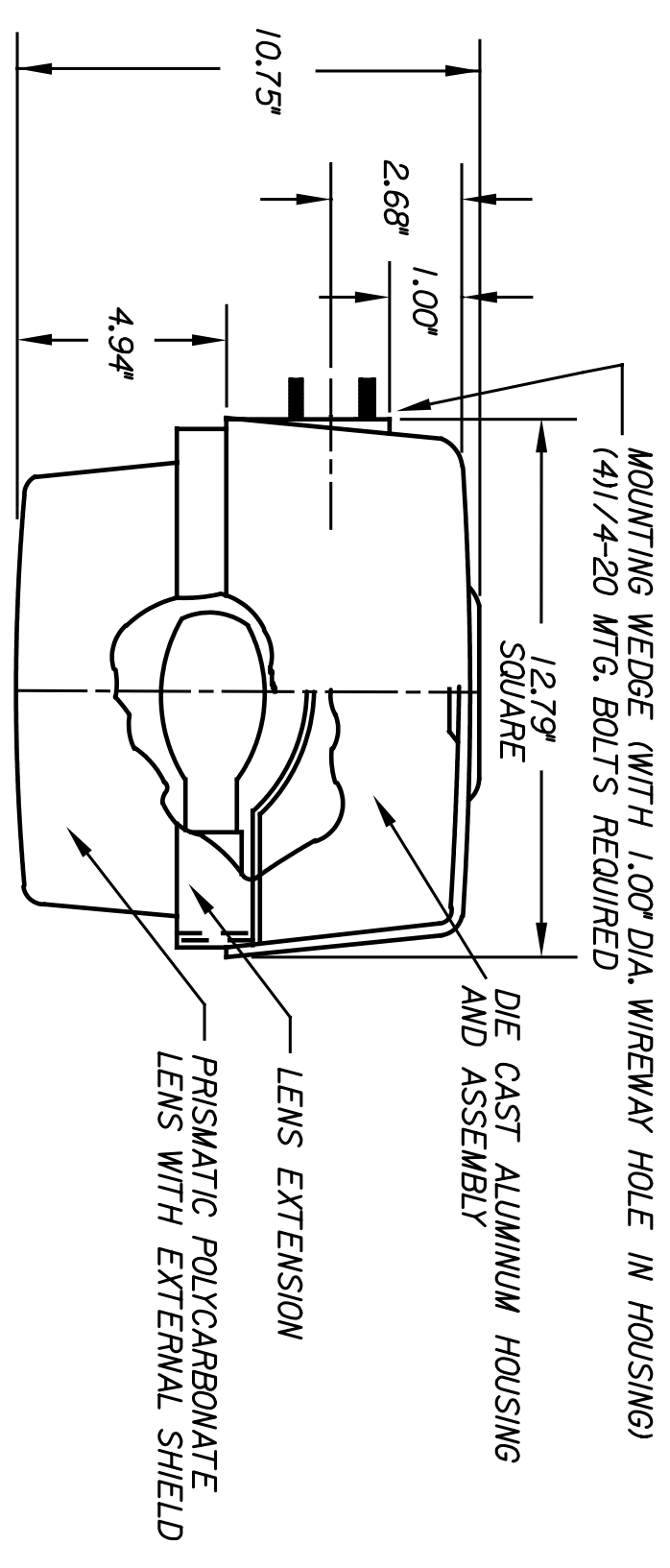
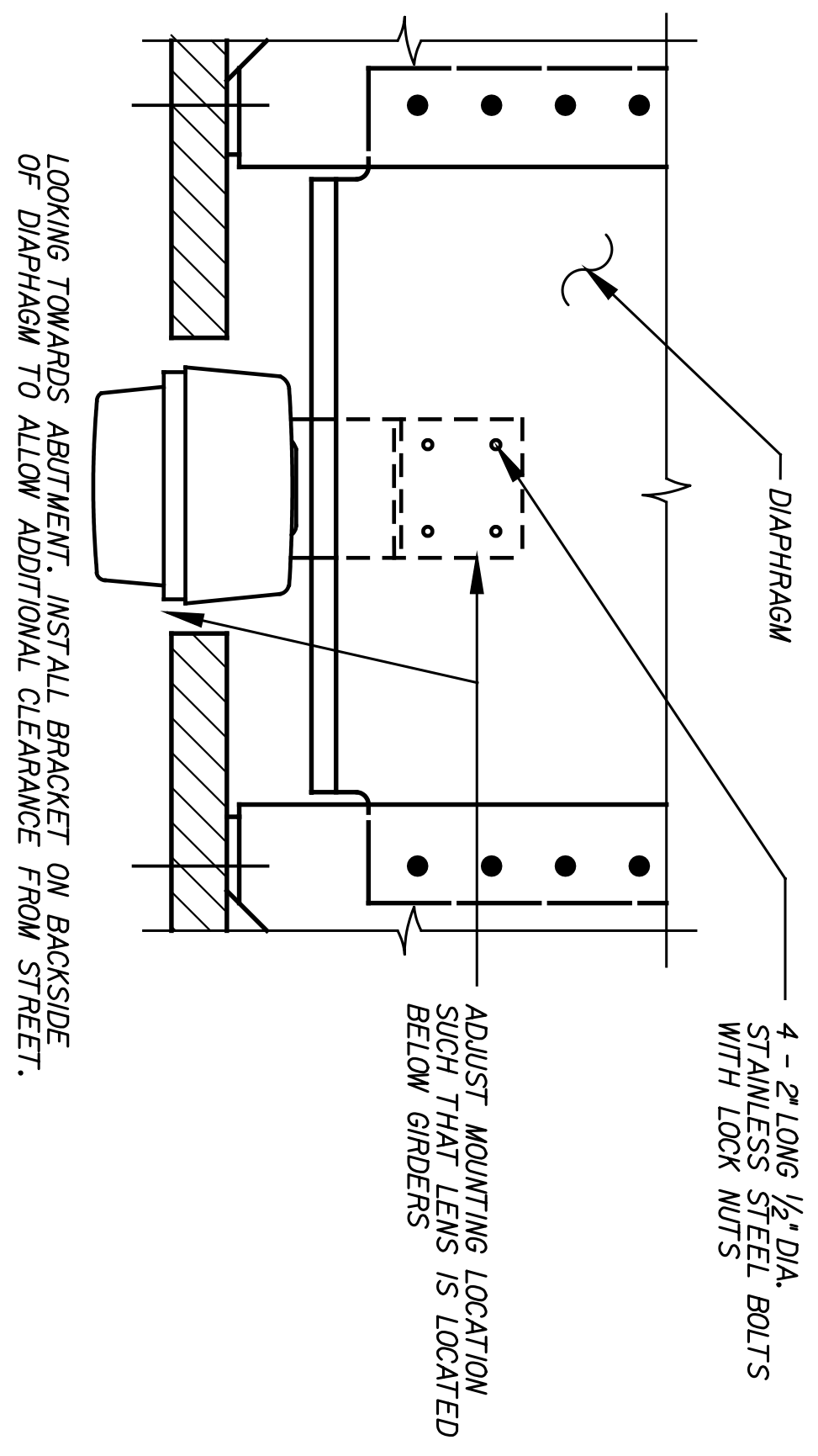
NOTE:
 FIXTURE MOUNTING APPLICABLE TO
 2ND ST. AND 1ST ST. UNDERPASSES.

HORIZONTAL MOUNT UNDERPASS LUMINAIRE
 Not To Scale:



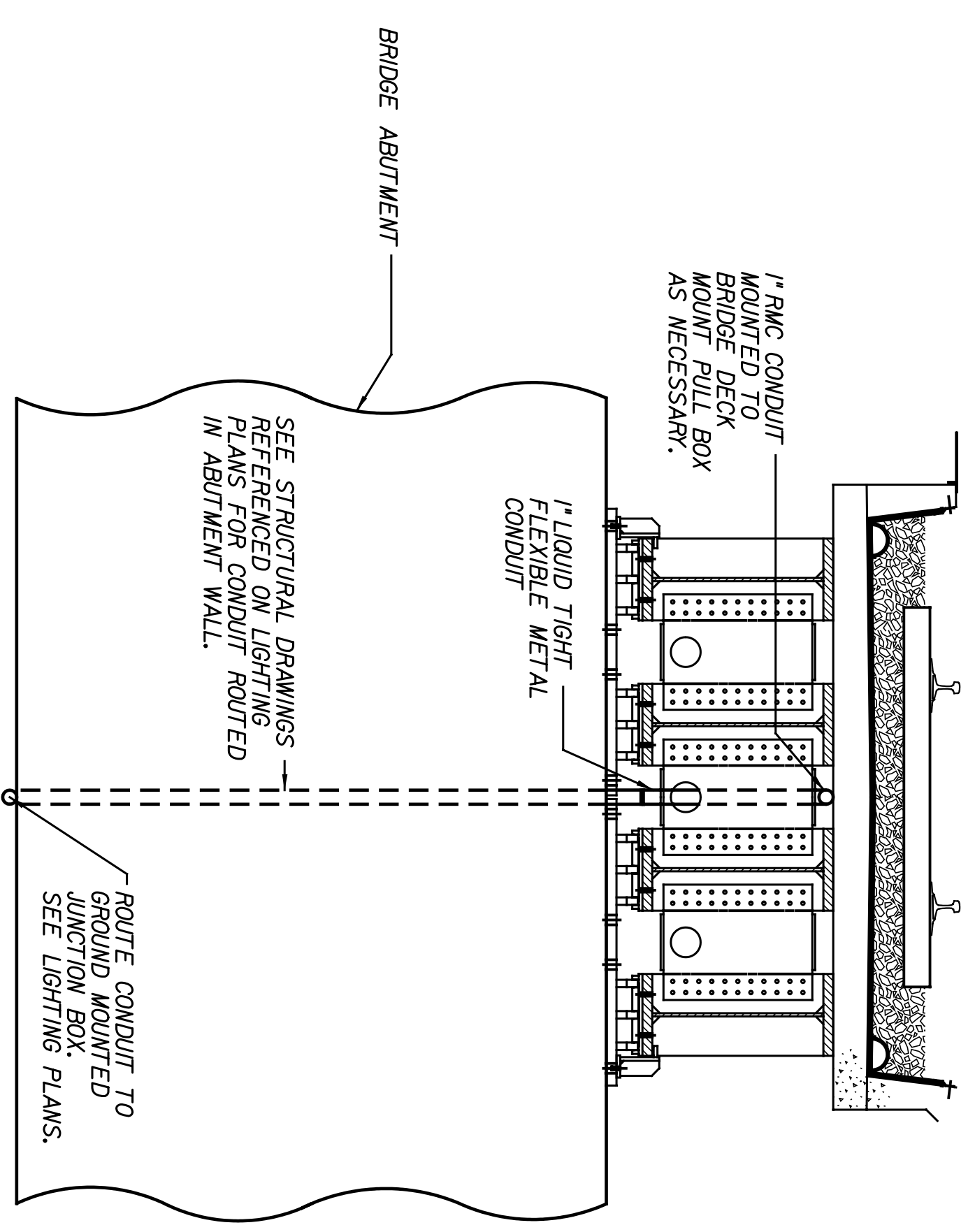
NOTE:
 FIXTURE MOUNTING APPLICABLE TO
 13TH ST. UNDERPASS.

HORIZONTAL MOUNT UNDERPASS LUMINAIRE
 Not To Scale:



NOTES:
 FIXTURE APPLICABLE TO 13TH ST., MURDOCK,
 CENTRAL, 2ND ST. AND 1ST ST. UNDERPASSES
 EXTERNAL SHIELD NOT SHOWN

HORIZONTAL MOUNT UNDERPASS LUMINAIRE
 Not To Scale:



NOTE:
 SEE PLANS FOR GENERAL ROUTING OF CONDUITS UNDER
 BRIDGE STRUCTURES.

HORIZONTAL MOUNT UNDERPASS LUMINAIRE CONDUIT ROUTING
 Not To Scale

CHNTB
 ARCHITECTS ENGINEERS PLANNERS

This sheet designed by:

SHEET NO. OF		SCALE AS NOTED		APP'D	
DESIGNED	DATE	DETAILS	DATE	QUANTITIES	TRACED
DESIGN CR.	JOS	DETAIL CR.	JOS	QUANT.	TRACER CR.
CITY OF WICHITA					
WICHITA CENTRAL CORRIDOR					
HORIZONTAL MOUNTED UNDERPASS FIXTURE DETAILS					
NO.		REVISIONS		BY	
1	DATE				APP'D
2					
3					

STATE	PROJECT NO.	YEAR	SHEET NO.	TOTAL SHEETS
KANSAS	472-94071	2005	14.08	