

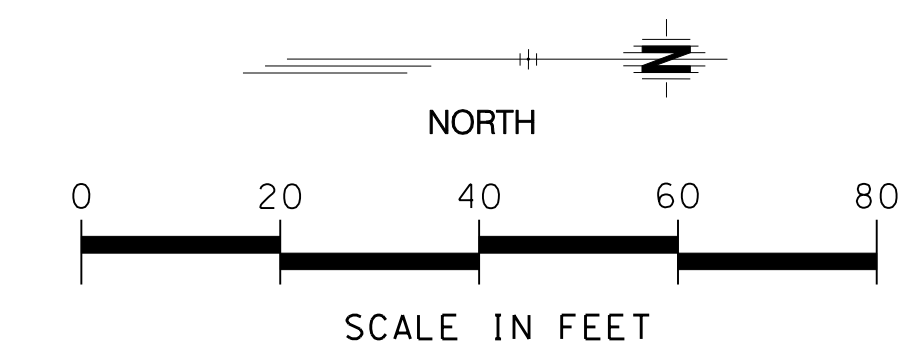
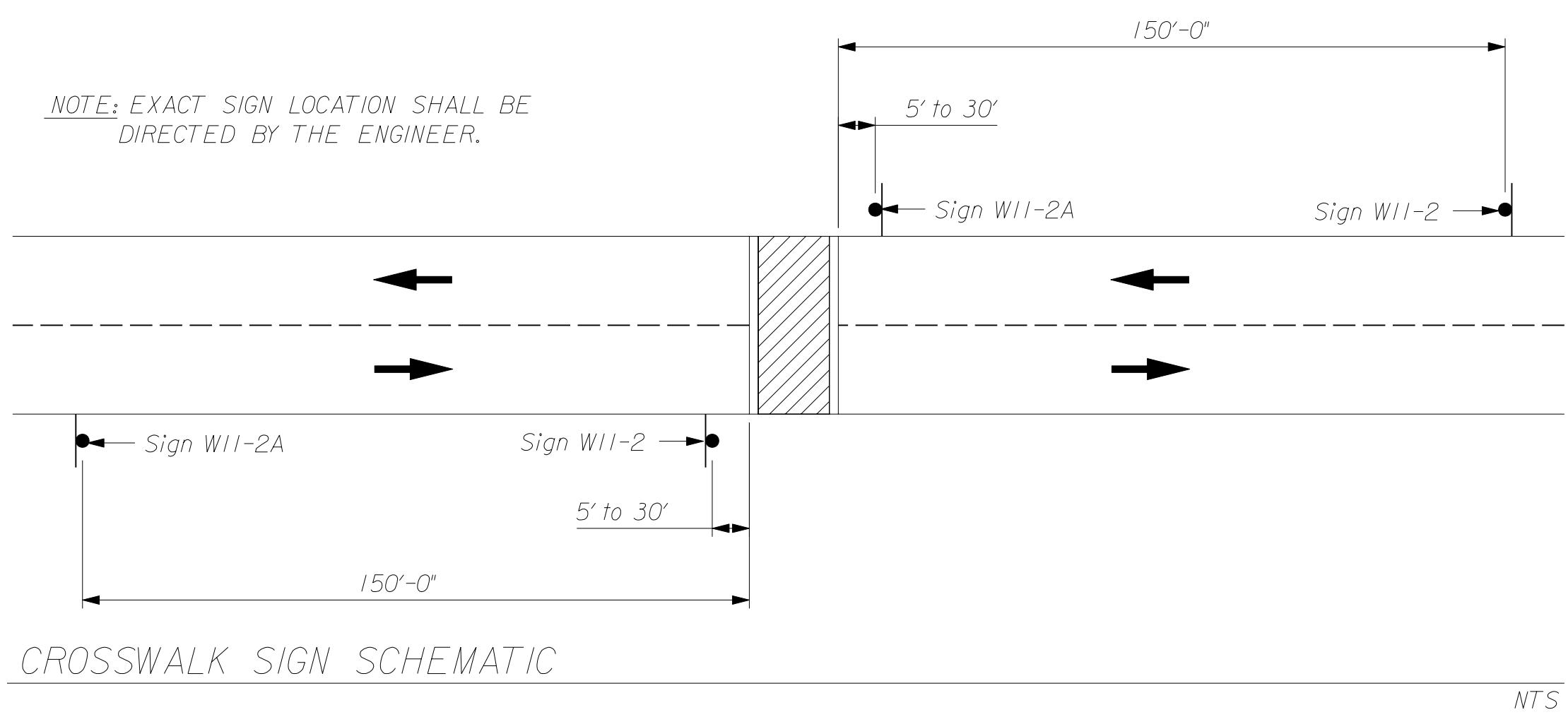
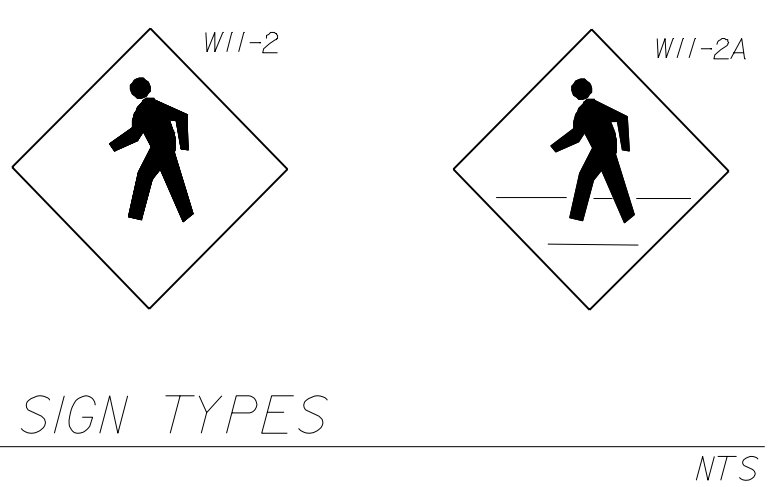
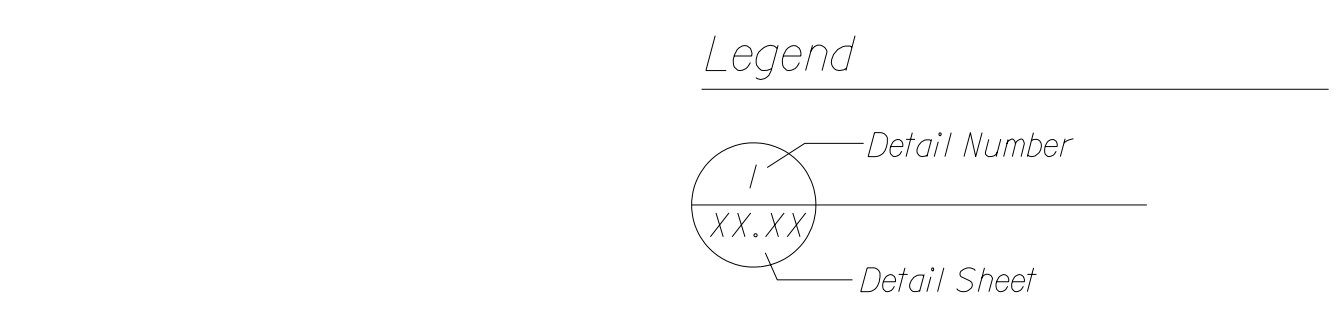
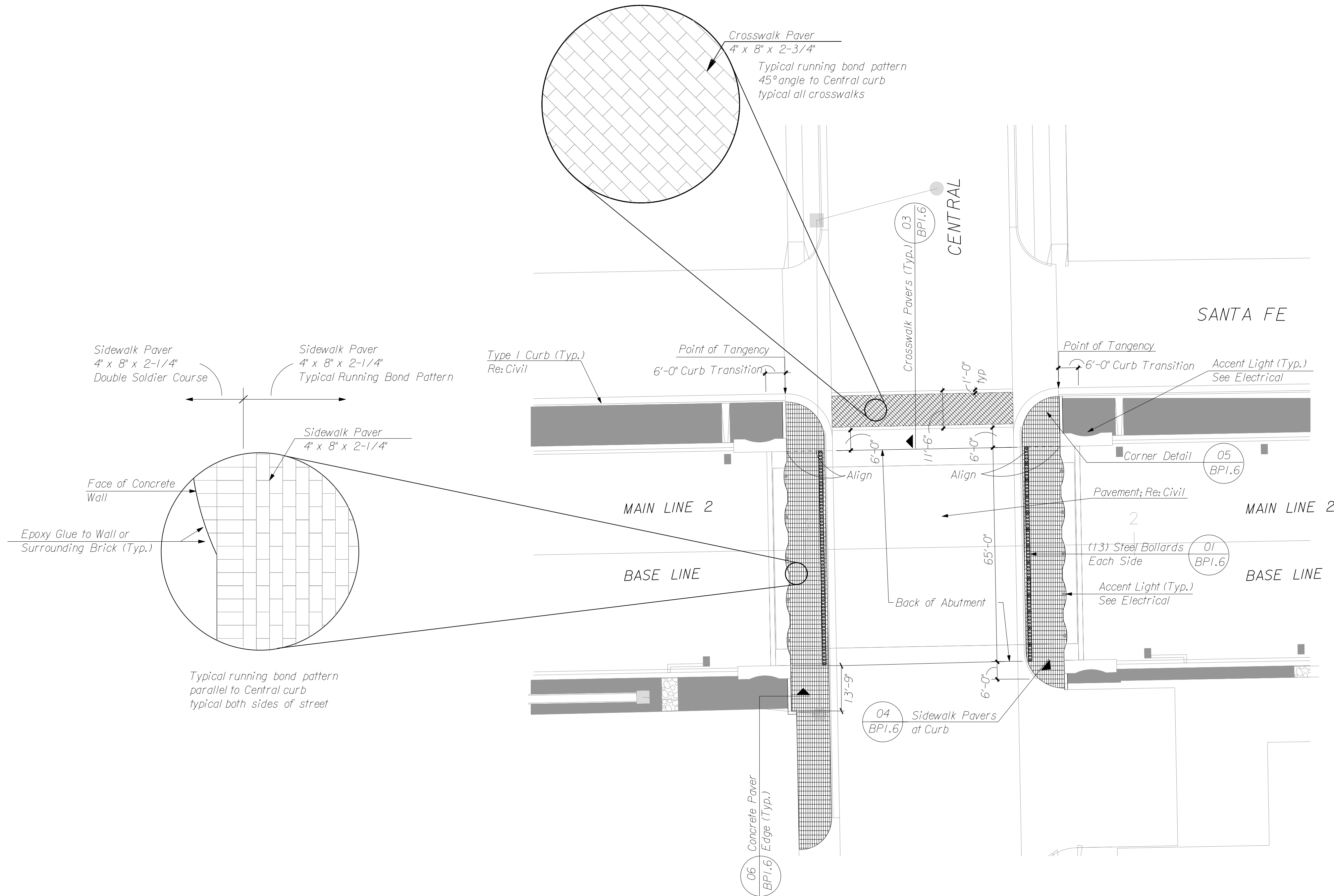
### Alternate #2 and #3

Notes:

1. This sheet to show brick paver locations, layout, & patterns only; refer to civil for all other paving.
2. Refer to electrical for accent light type & wiring schedule.
3. The concrete edge used to restrain pavers is subsidiary to the paver installation.

ESTIMATE OF SHEET QUANTITIES			
SPEC. NO	ITEM (HARDSCAPE)	QUANTITY	UNIT
400-01	Crosswalk Pavers	525	SF
400-01	Sidewalk Pavers	2,478	SF
	Crosswalk Signs	4	EA

ESTIMATE OF SHEET QUANTITIES			
SPEC. NO	ITEM (HARDSCAPE)	QUANTITY	UNIT
900-10	Steel Pipe Bollard (6", Set of 5)	26	EA



This sheet designed by:

**HNTB**  
ARCHITECTS ENGINEERS PLANNERS

3				
2				
1				
NO.	DATE	REVISIONS	BY	APP'D
CITY OF WICHITA				
WICHITA CENTRAL CORRIDOR				
<b>CENTRAL AVENUE PAVER PLAN</b>				
SHEET NO. 3 OF	SCALE: 1" = 20'-0"	APP'D:	QUANTITIES: JRK, KA	TRACED:
DESIGNED: JF	DETAILED: JRK, KA	DESIGN CK.: WP	DETAIL CK.: WSN	TRACE CK.: