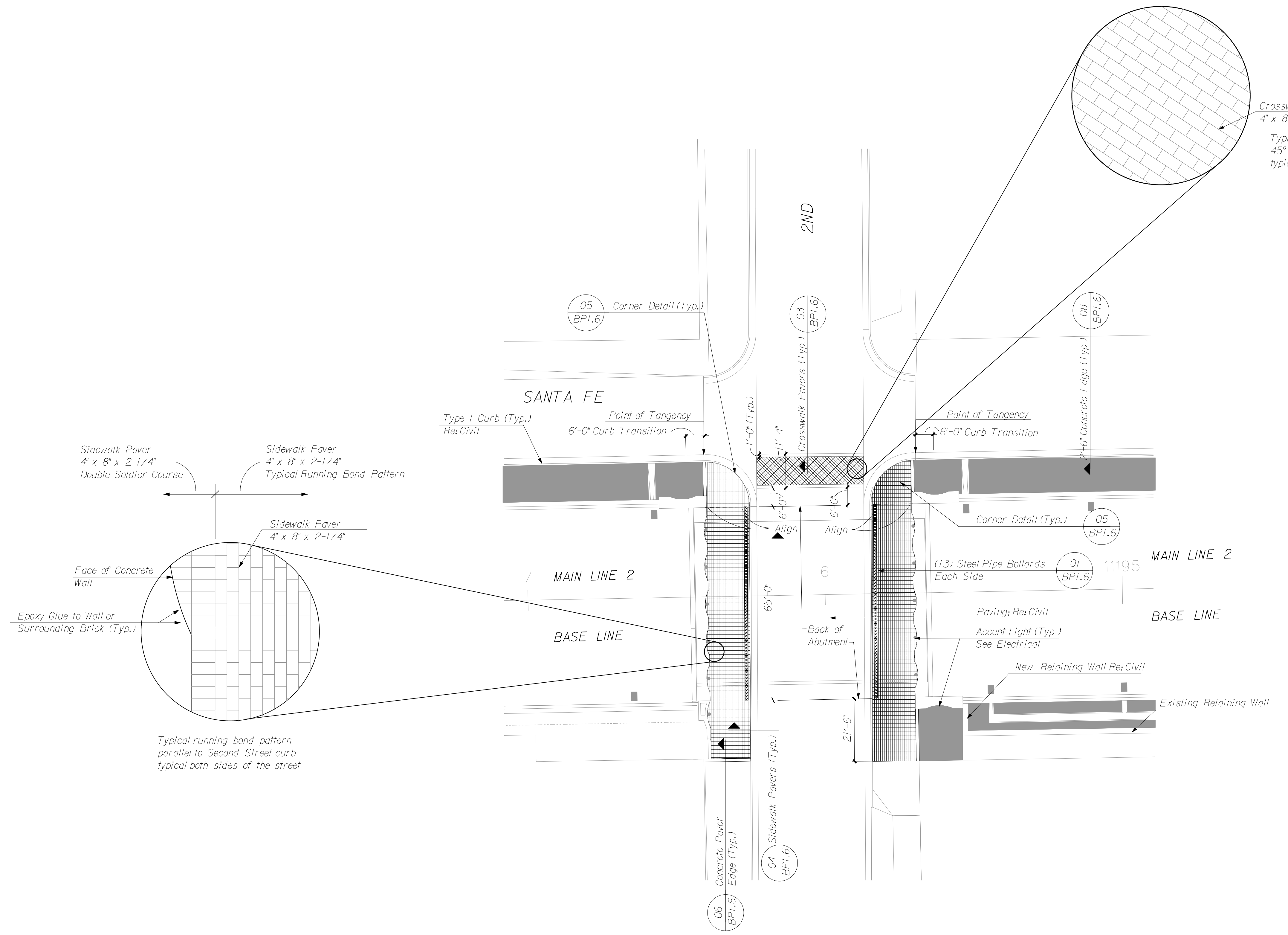
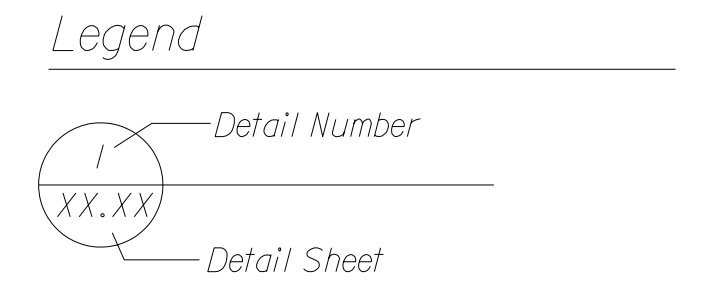


Alternate #2 and #3

- Notes:
1. This sheet to show brick paver locations, layout, & patterns only; refer to civil for all other paving.
 2. Refer to electrical for accent light type & wiring schedule.
 3. The concrete edge used to restrain pavers is subsidiary to the paver installation.

ESTIMATE OF SHEET QUANTITIES			
SPEC. NO	ITEM (HARDSCAPE)	QUANTITY	UNIT
400-01	Crosswalk Pavers	339	SF
400-01	Sidewalk Pavers	2,660	SF
	Crosswalk Signs	2	EA

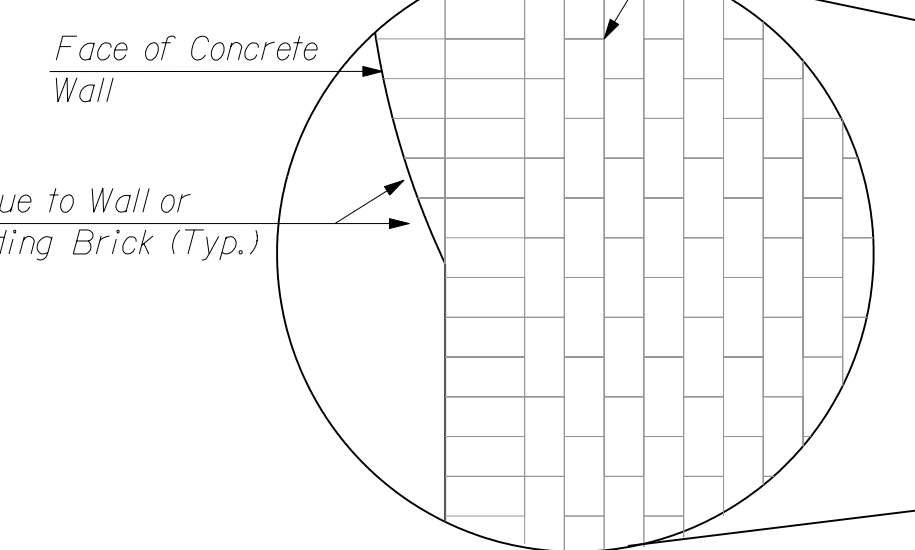
ESTIMATE OF SHEET QUANTITIES			
SPEC. NO	ITEM (HARDSCAPE)	QUANTITY	UNIT
900-10	Steel Pipe Bollard (6", Set of 5)	26	EA



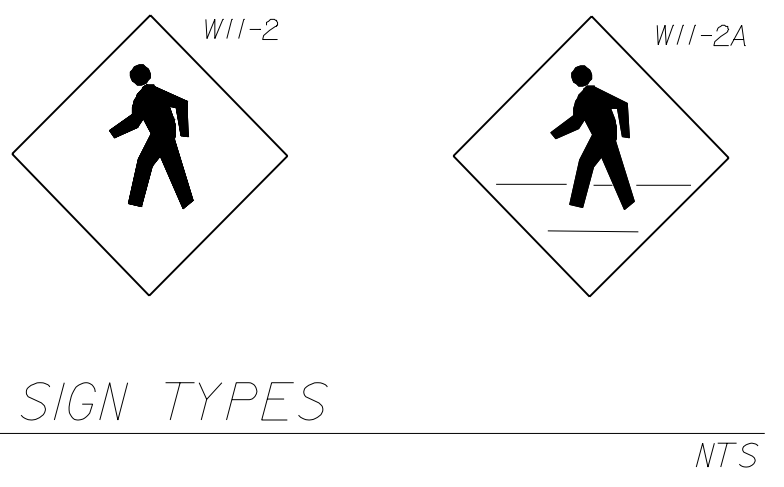
Sidewalk Paver
4" x 8" x 2-1/4"
Double Soldier Course

Sidewalk Paver
4" x 8" x 2-1/4"
Typical Running Bond Pattern

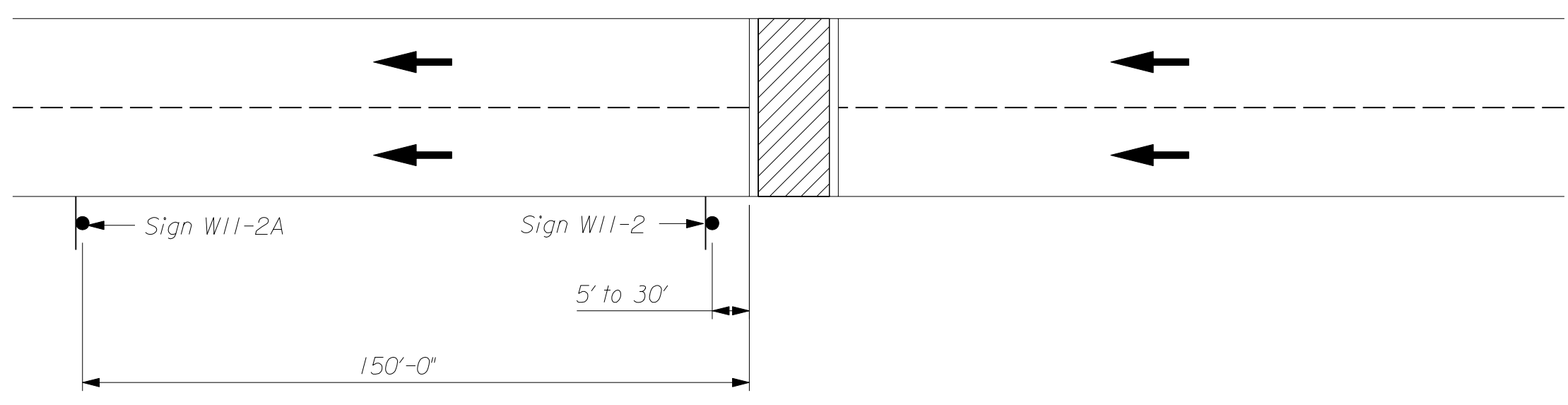
Sidewalk Paver
4" x 8" x 2-1/4"



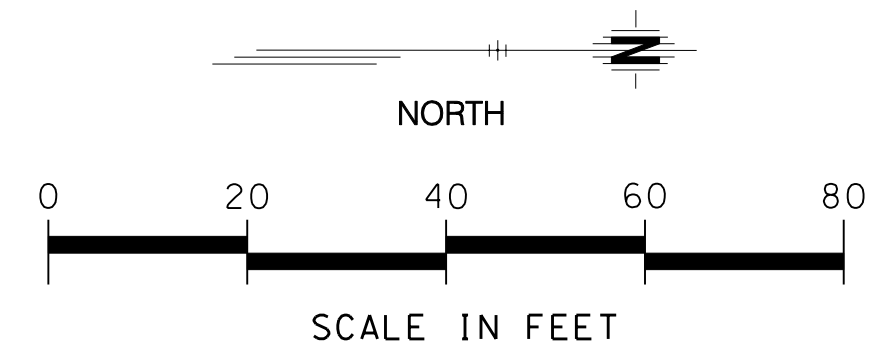
Typical running bond pattern parallel to Second Street curb typical both sides of the street



NOTE: EXACT SIGN LOCATION SHALL BE DIRECTED BY THE ENGINEER.



CROSSWALK SIGN SCHEMATIC



This sheet designed by:

HNTB
ARCHITECTS ENGINEERS PLANNERS

3				
2				
1				
NO.	DATE	REVISIONS	BY	APP'D
CITY OF WICHITA				
WICHITA CENTRAL CORRIDOR				
2ND STREET PAVER PLAN				
SHEET NO. 4 OF	SCALE: 1" = 20'-0"	APP'D:	QUANTITIES: JRK, KA	TRACED:
DESIGNED: JF	DETAILED: JRK, KA	DESIGN CK.: WP	DETAIL CK.: WSN	TRACE CK.: