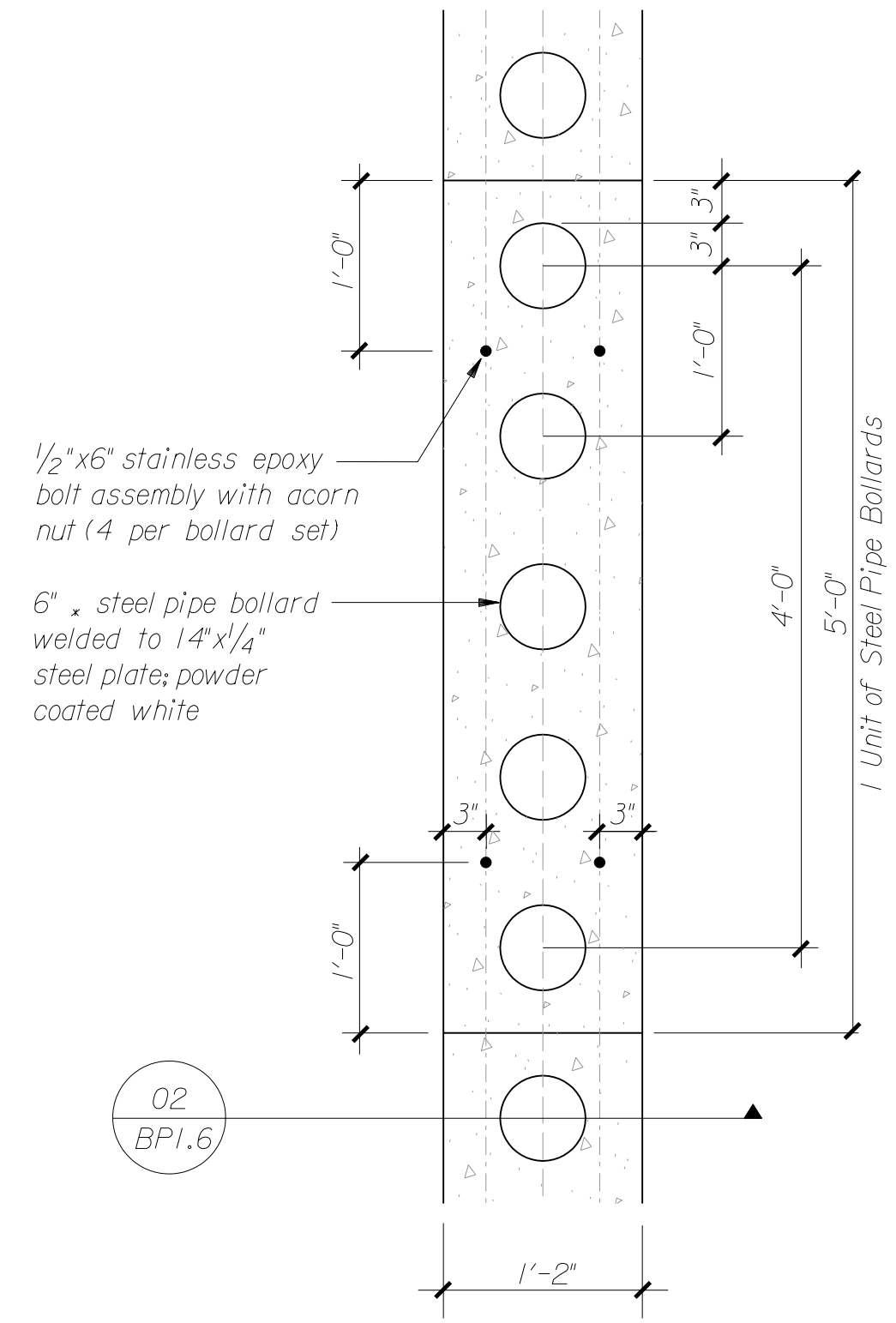
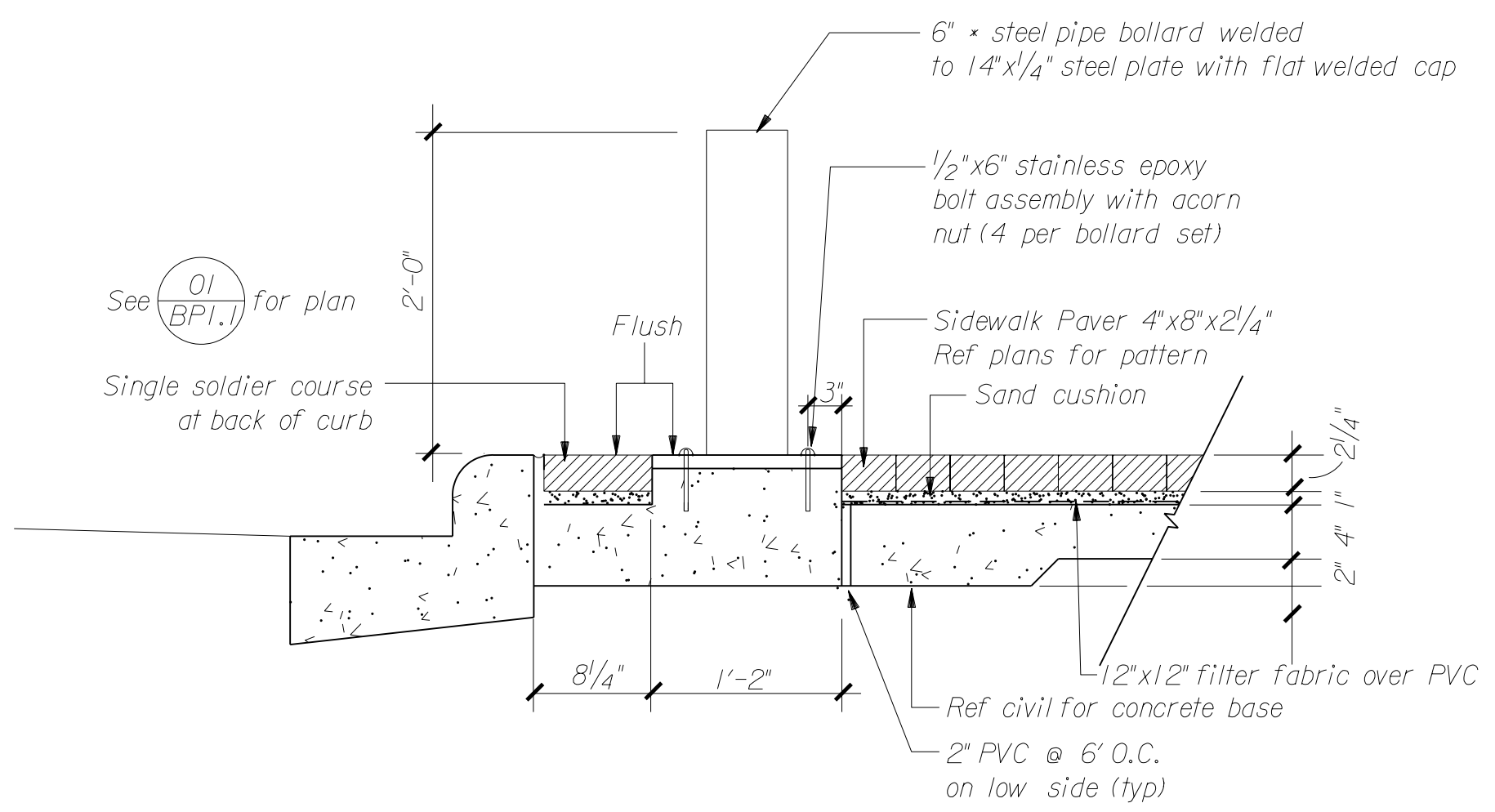


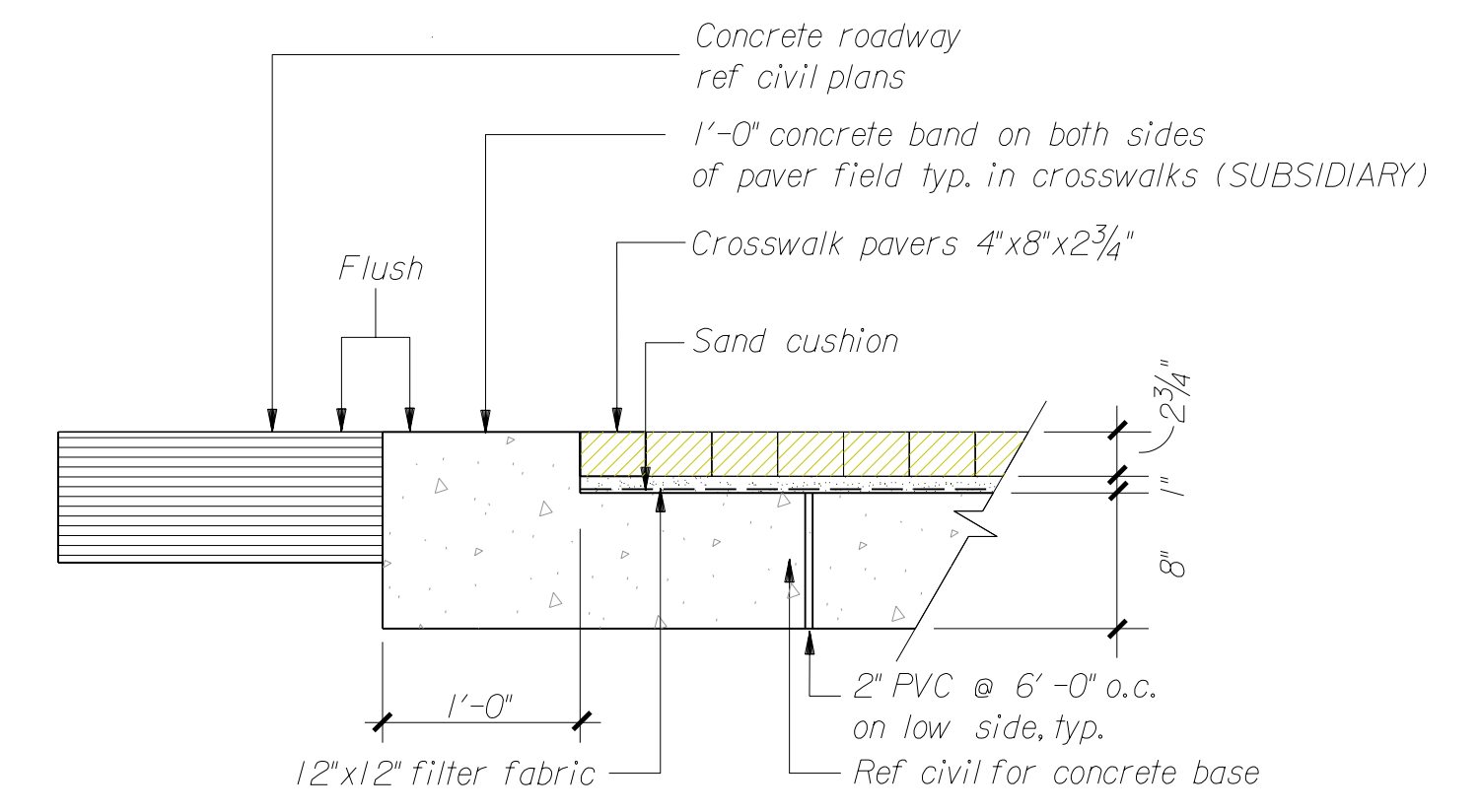
### Alternate #2 and #3



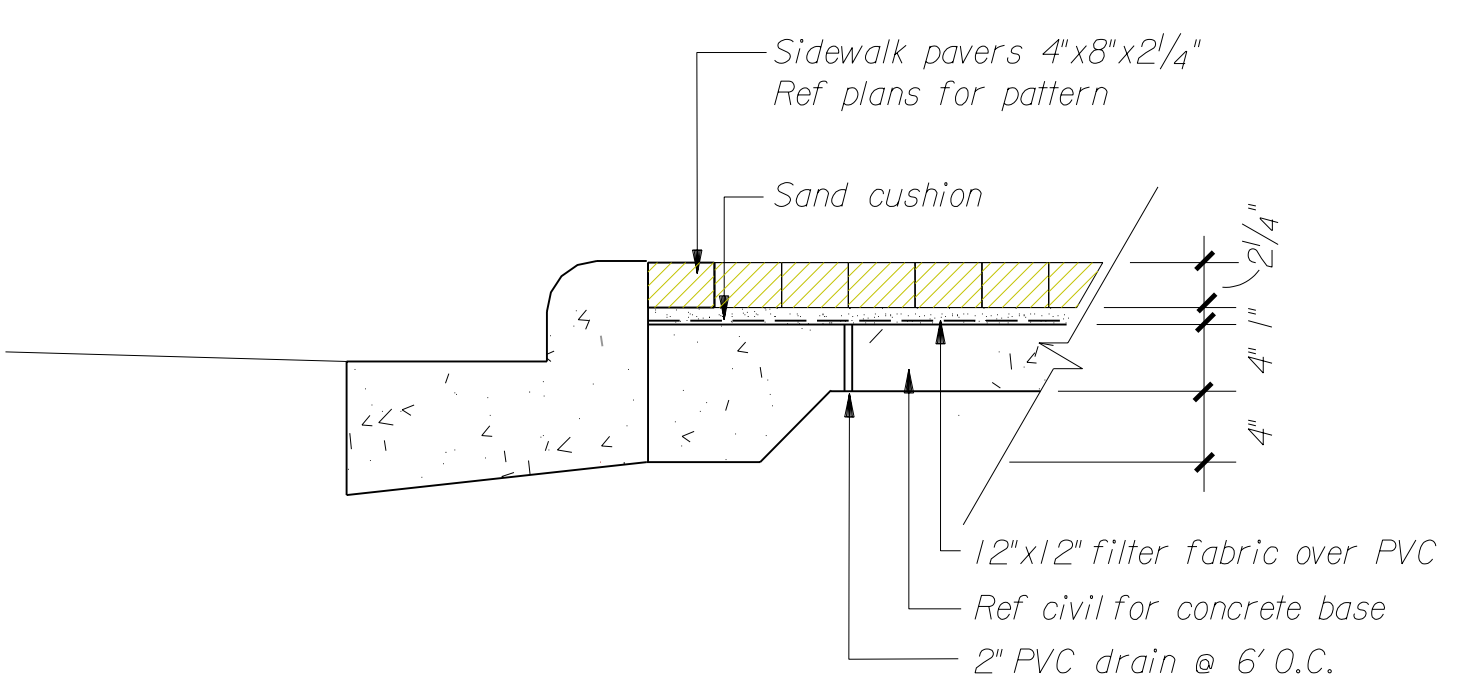
01 Steel Pipe Bollard: Plan NTS



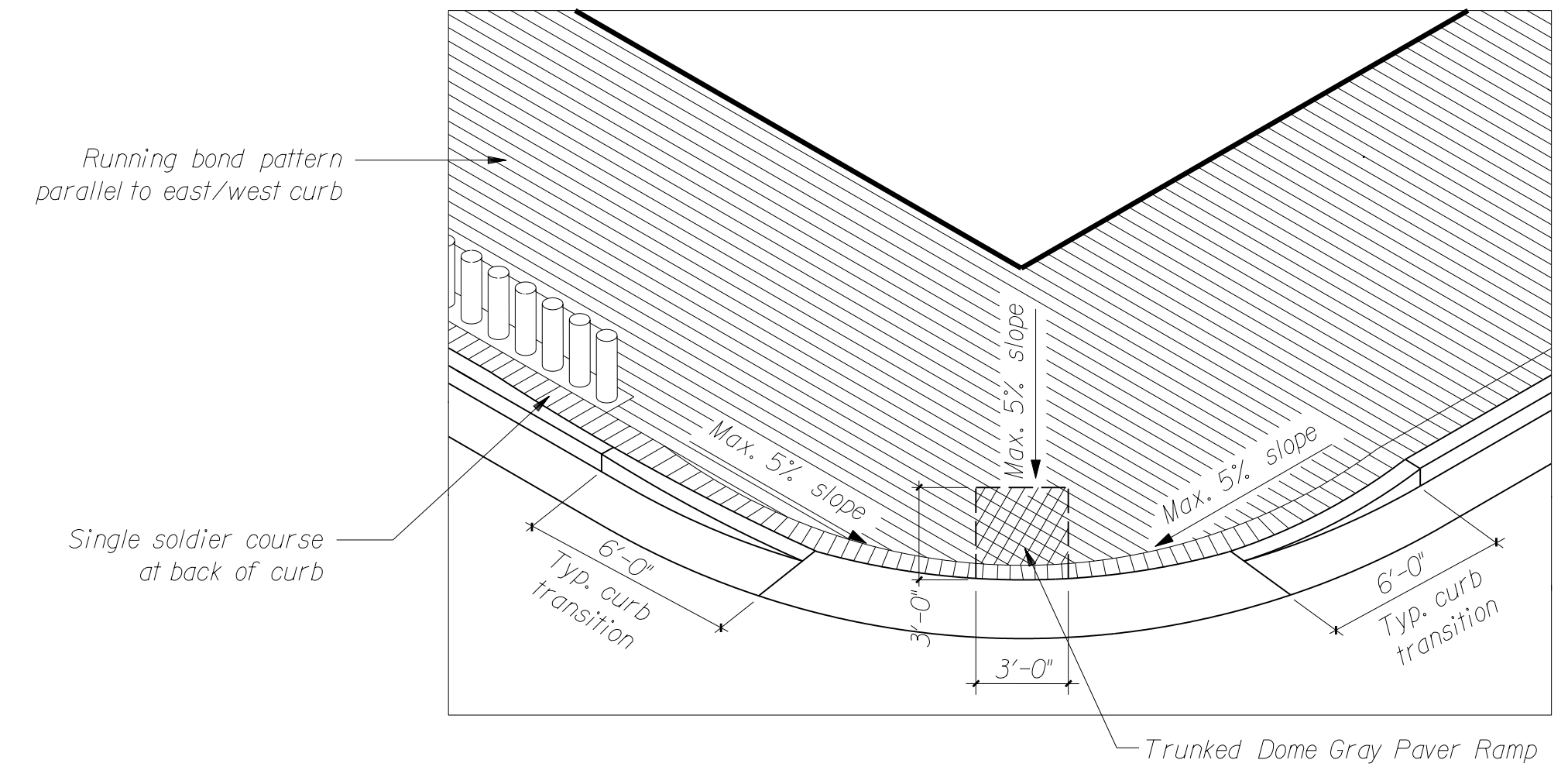
02 Steel Pipe Bollard Section NTS



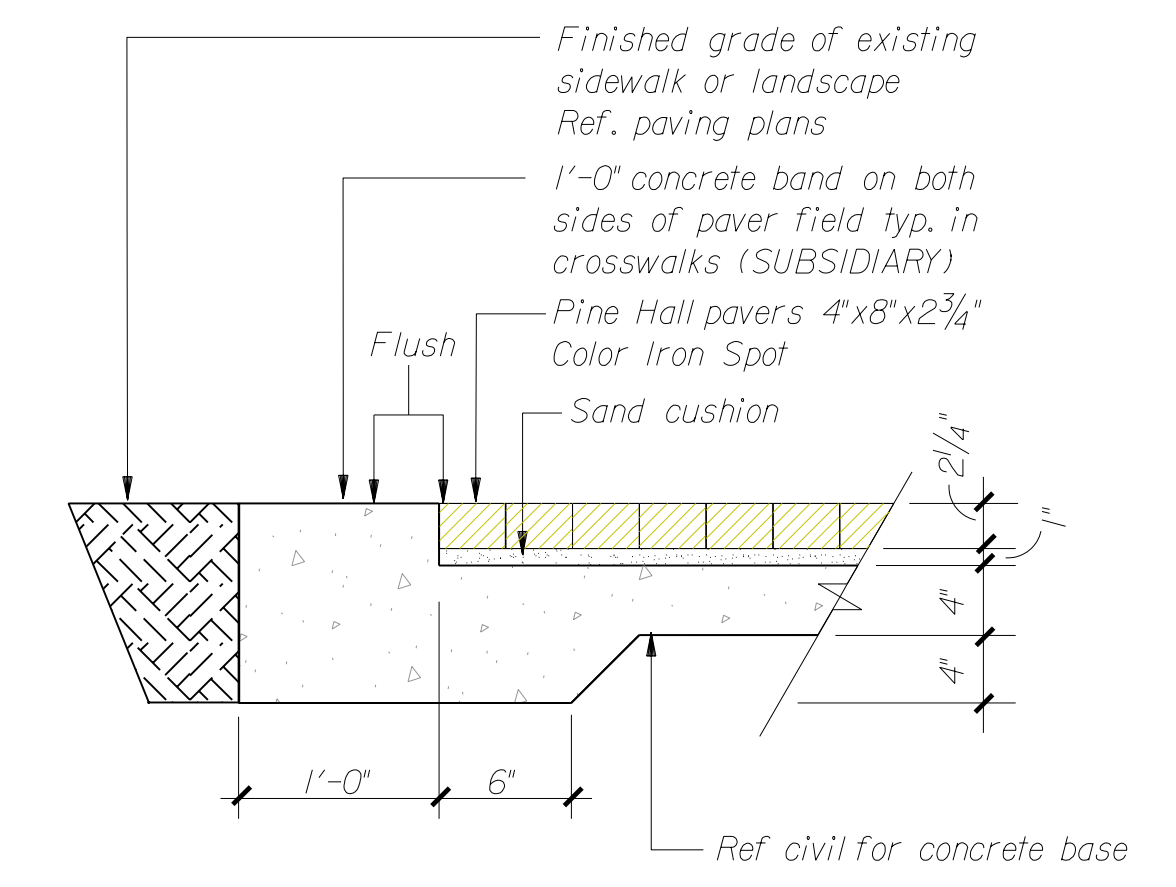
03 Brick Pavers Over PVC at Crosswalk NTS



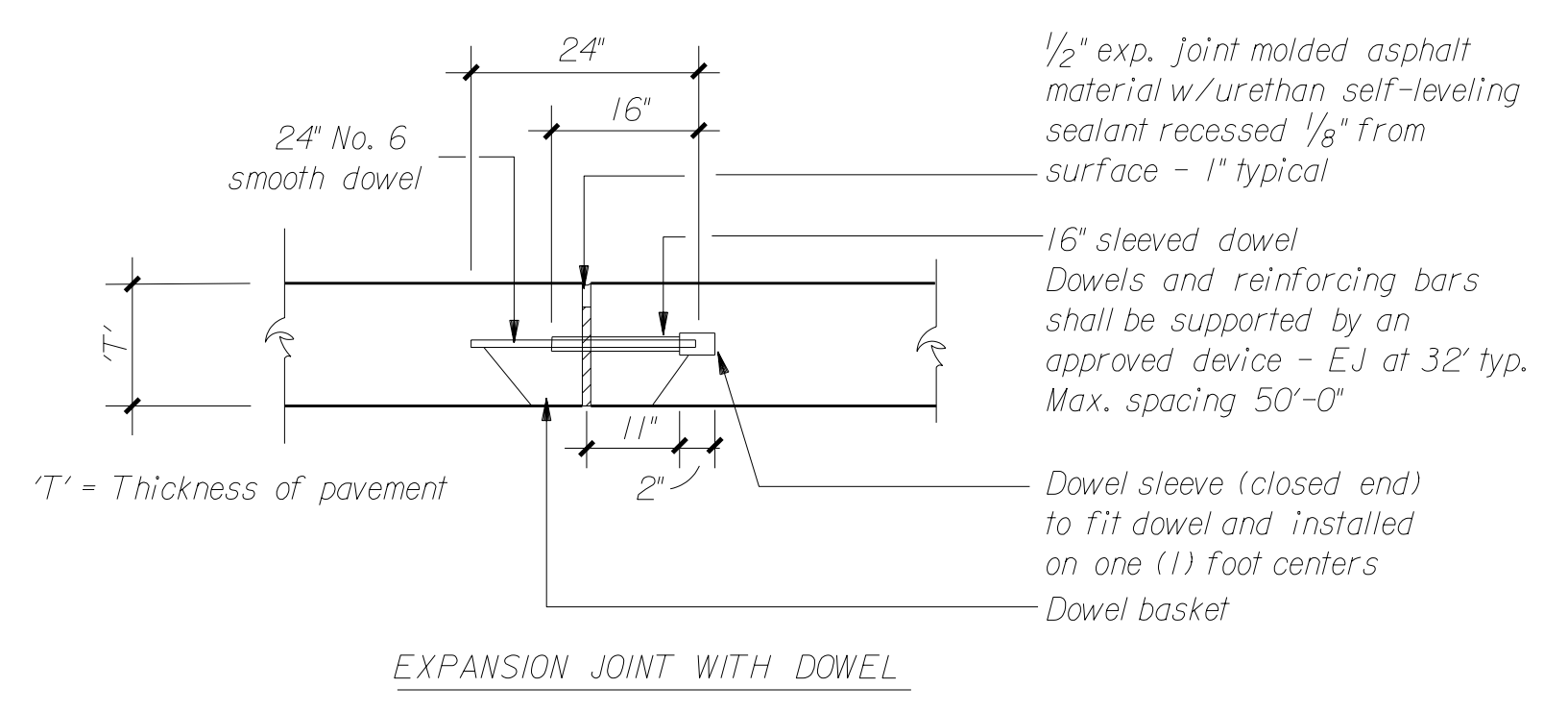
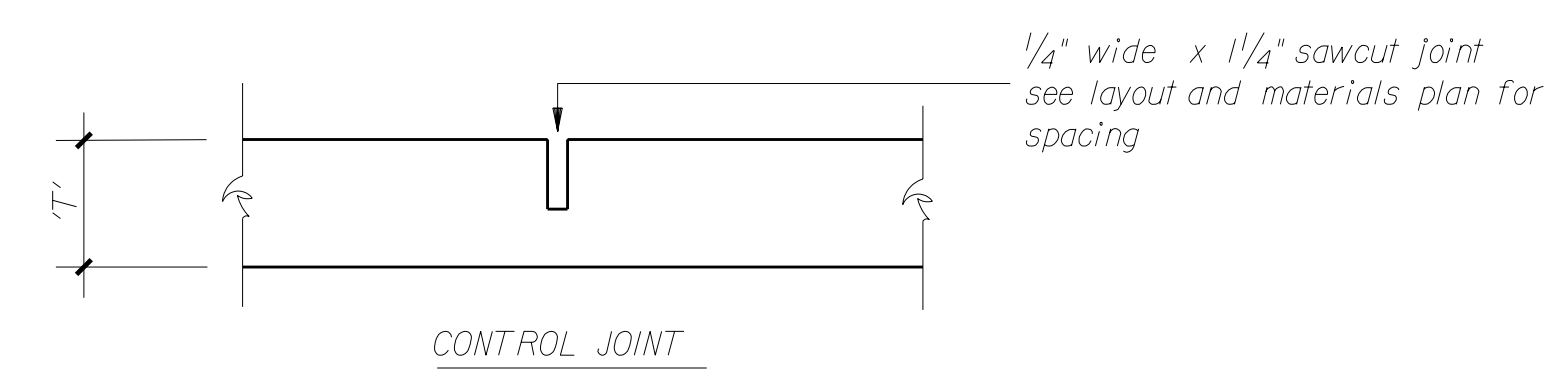
04 Brick Pavers at Curb NTS



05 Corner Detail NTS



06 Concrete Paver Edge NTS



07 Joints in Concrete NTS

3				
2				
1				
NO.	DATE	REVISIONS	BY	APP'D
CITY OF WICHITA				
WICHITA CENTRAL CORRIDOR				
<b>PAVING DETAILS</b>				
SHEET NO.	OF	SCALE: N.T.S.	APP'D:	
DESIGNED:	JF	DATE: JRK, KA	QUANTITIES: JRK, KA	TRACED:
DESIGN CK.:	WP	DETAIL CK.: WSN	QUAN. CK.: WP	TRACE CK.: